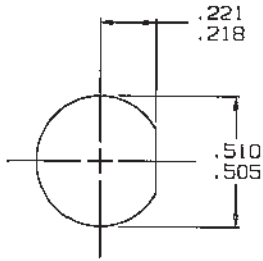


DATA CONTAINED IN THIS DOCUMENT IS PROPRIETARY TO TROMPETER ELECTRONICS INC. AND SHALL NOT BE DISCLOSED, COPIED OR USED FOR PROCUREMENT OR MANUFACTURE WITHOUT EXPRESS WRITTEN PERMISSION.

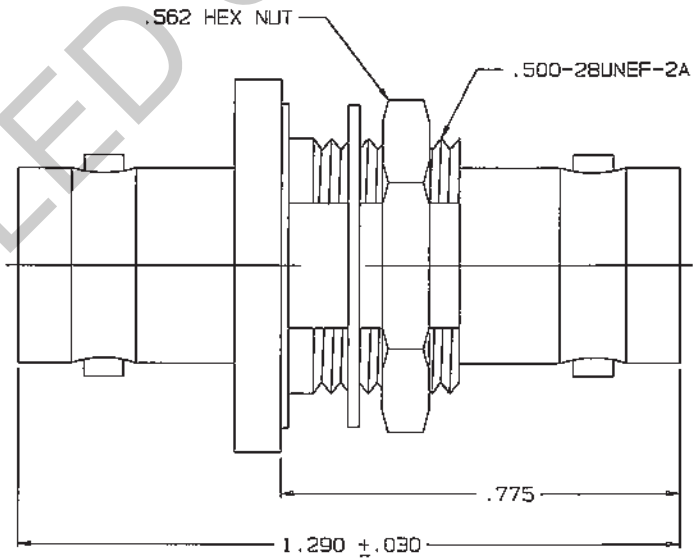
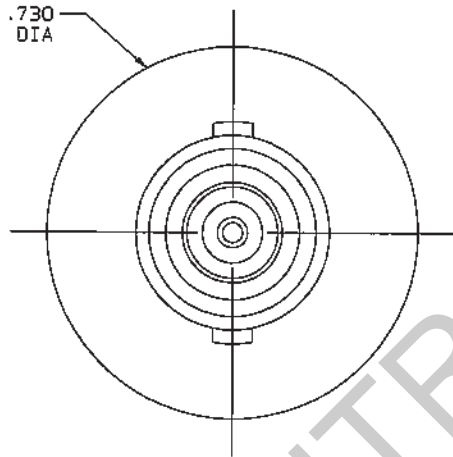
REVISIONS			305-0506	SH 2	
REV	EO	DESCRIPTION	OWN	APPROVED	DATE
E	13380	UPDATED DRAWING & DELETED NOTE SHEET 2 SEE ECD	R L	<i>RAM.</i>	4/20/00



RECOMMENDED  
PANEL CUTOUT  
SCALE: 2/1

**RED INDICATES ORIGINAL**

INCH	MM
.005	0.13
.030	0.76
.187	4.75
.218	5.54
.221	5.61
.505	12.83
.510	12.95
.562	14.27
.730	18.54
.775	19.69
1.290	32.77



4. CONCENTRIC TWINAX/TRIAX 2-LUG TRB BULKHEAD MOUNT FEEDTHRU RECEPTACLE
3. MAX PANEL THK .187
2. FINISH: TFS-1A (NICKEL)
1. ALL DIMS ARE INCHES

QTY	DESCRIPTION		PART NUMBER	ITEM			
TOL UNLESS SPECIFIED			BJ78TL				
.XX ±	DWN	R L	4/4/00	MATERIAL	CODE IDENT	DRAWING NO.	REV
.XXX ±	CHK	<i>RAM.</i>	4/19/00	—	14949	305-0506	E
.XXXX ±	ENGR	—	—	—	—	—	—
ANGLES ±	APPR	<i>RAM.</i>	4/19/00	SCALE 4/1	DATE 9-20-83	SHEET 1C	

NEXT ASSY