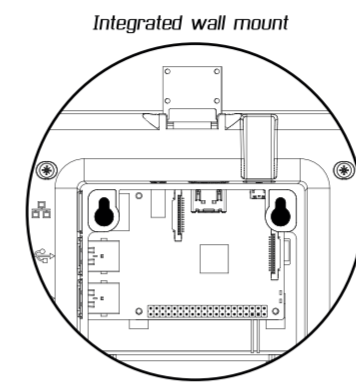
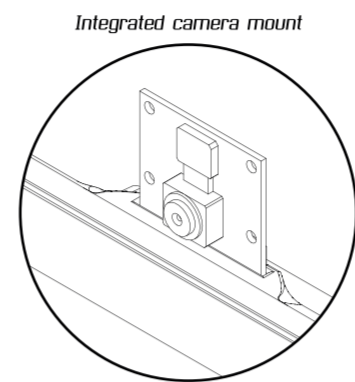
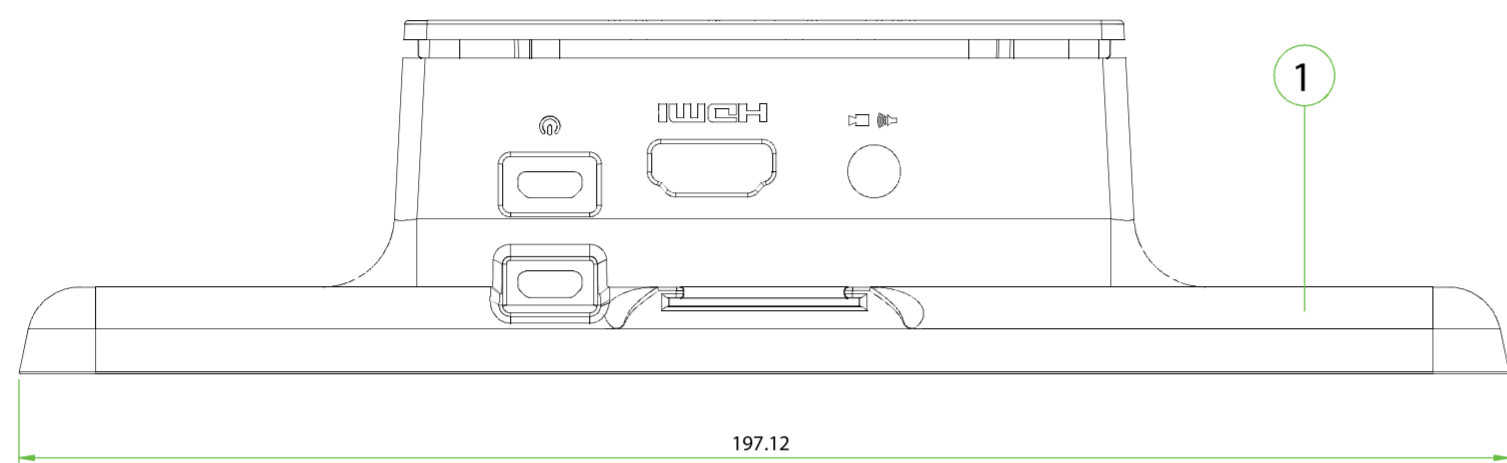


> MECHANICAL COMPONENTS ASSEMBLY <

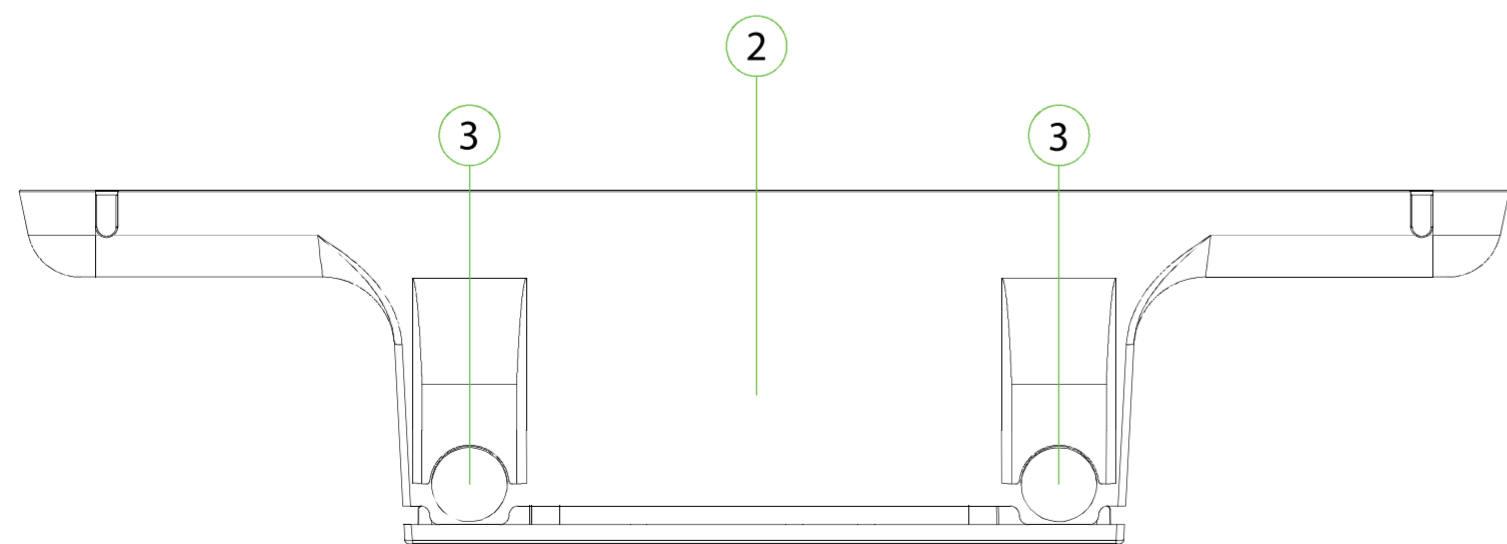
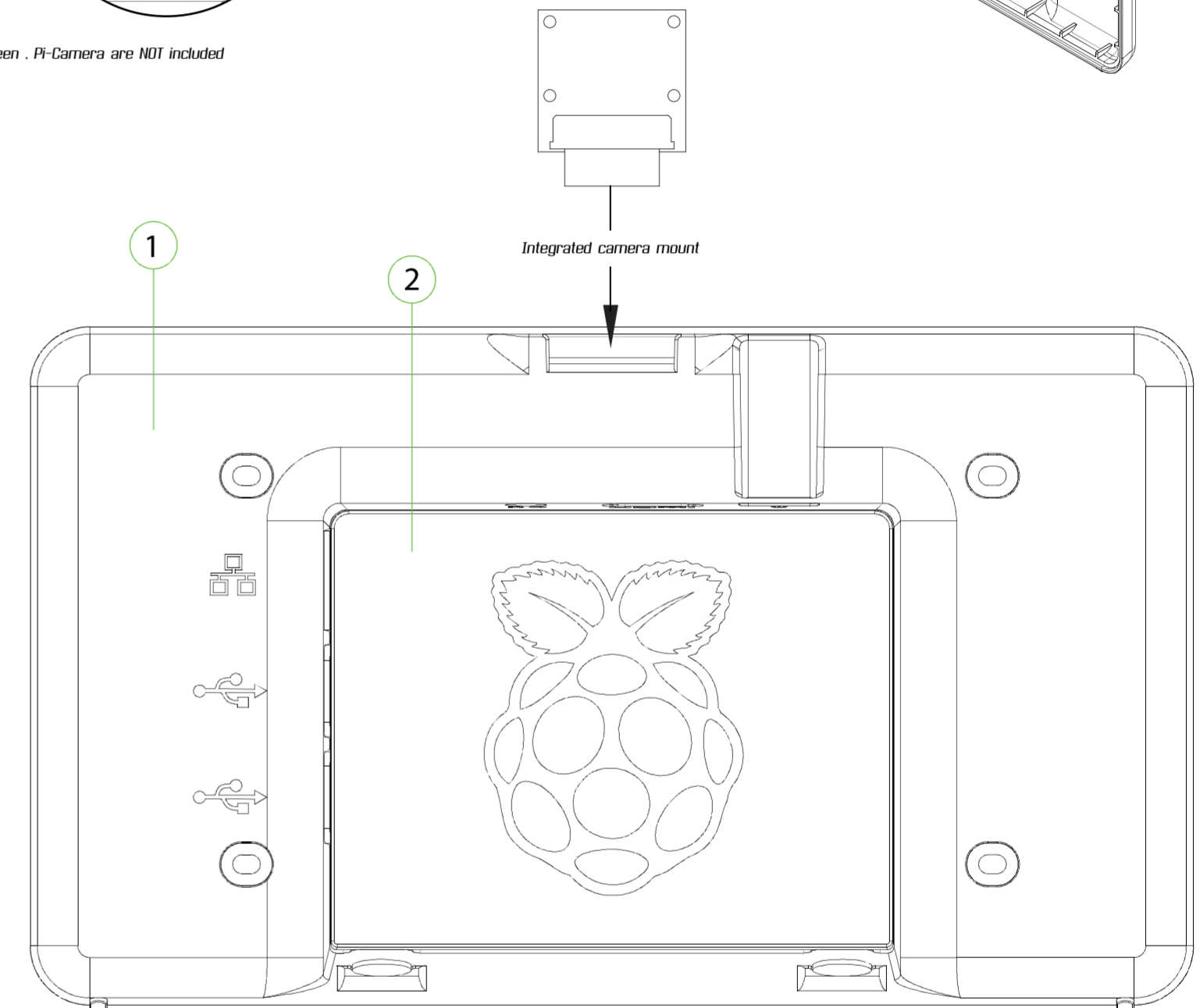
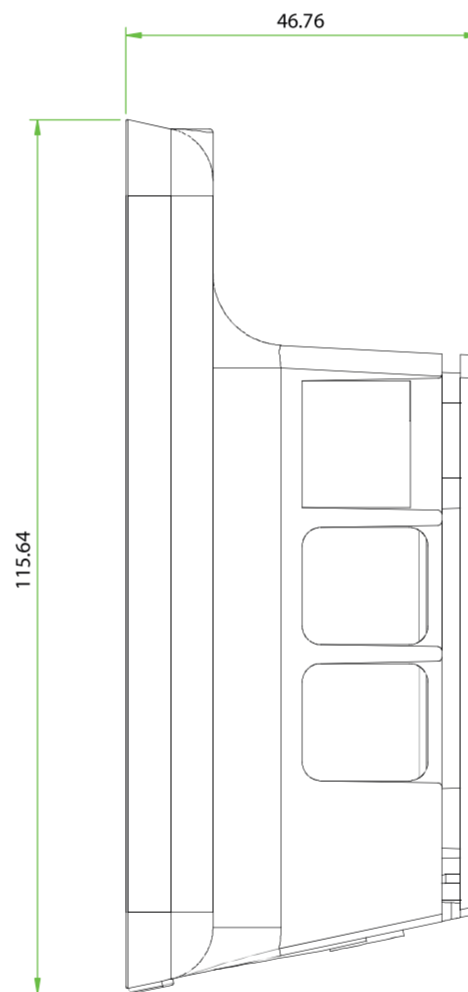
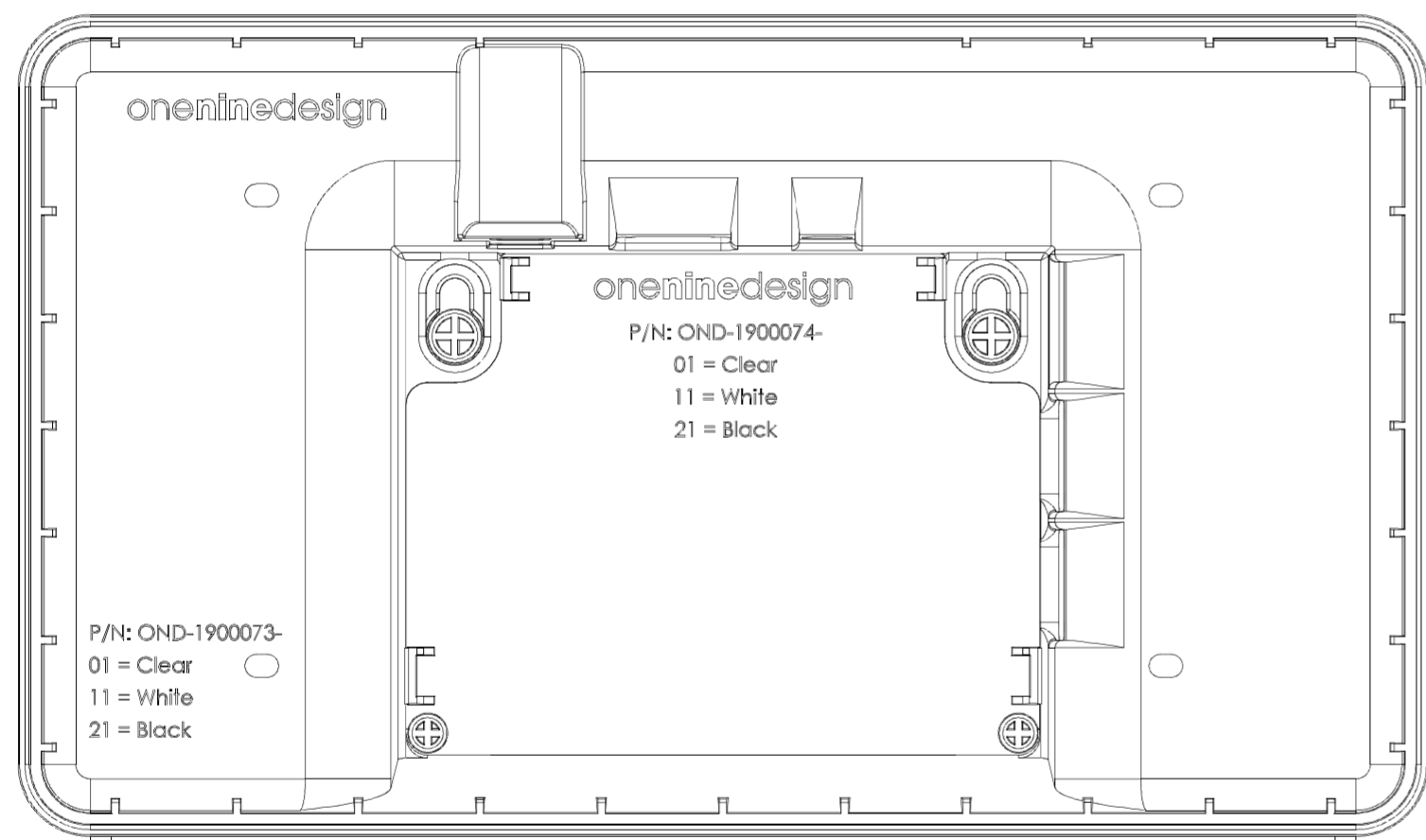
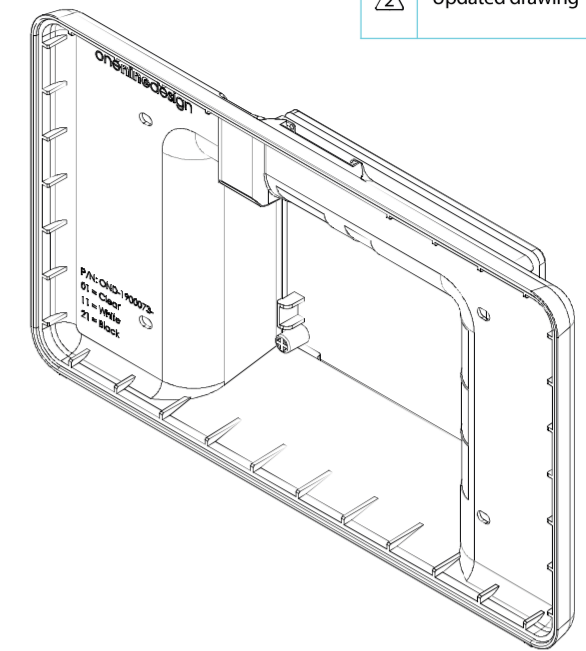
No.	Component Description	Qty	Part Number
1	Screen case moulding	1	OND-1900073-**
2	Rear cover moulding	1	OND-1900074-**
3	Adhesive rubber foot	2	OND-1900008-01

NOTE: ** The individual moulding colour will match the assembly colour suffix.

NO.	REVISION	DATE / SIGNED
⚠	Drawing release	09.11.15 OND
⚠	Updated drawing	22.01.16 OND



Note: Raspberry Pi . Touch screen . Pi-Camera are NOT included



Suffix	Component Description	Comment
-01	Case Assembly - Colour = CLEAR	
-11	Case Assembly - Colour = WHITE	
-21	Case Assembly - Colour = BLACK	

REFER TO 3D CAD DATA FOR TOOL MANUFACTURE

RoHS Compliant: Parts on this document must comply with the requirements and procedures specified in the RoHS compliant hand book - www.rohs.gov.uk

GENERAL TOLERANCE	
DIM'N	TOL. ±
0 → 6	0.08
7 → 30	0.1
31 → 120	0.2
121 → 300	0.3
301 → 600	0.4
601 → 1200	0.5

1	ASM-1900035- See Suffix table	TOUCH SCREEN CASE ASSEMBLY	RASPBERRY Pi	ABS UL94HB	REFER TO INDIVIDUAL COMPONENT DRAWING	
NO.	PART NO.	DESCRIPTION	MODEL NO.	MATERIAL	FINISH	QTY
THIS DRAWING AND DESIGN ARE THE EXCLUSIVE PROPERTY OF ONE NINE DESIGN. THE DRAWING SHALL NOT BE COPIED OR COMMUNICATED IN ANY FORM WITHOUT PRIOR AUTHORITY FROM ONE NINE DESIGN. www.oneninedesign.co.uk						
OND 09.11.15	OND 09.11.15		SCALE 1:1	CAD DATA:	SHEET 1 OF 1	



Cosmetic Design | Product Design | Mechanical Design
Design management & Advice | Design for Manufacture