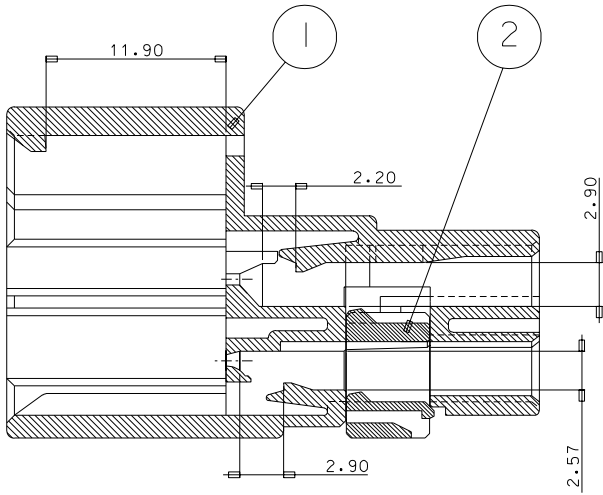
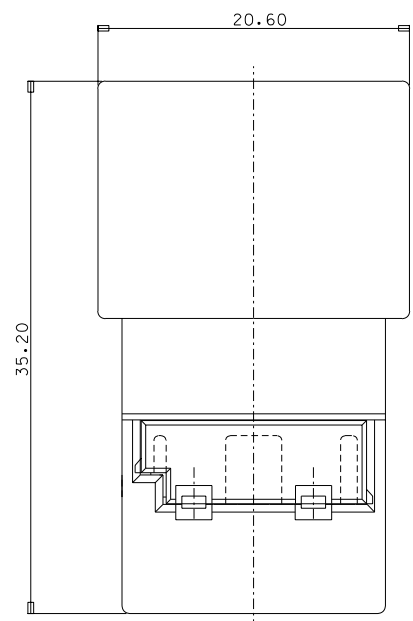
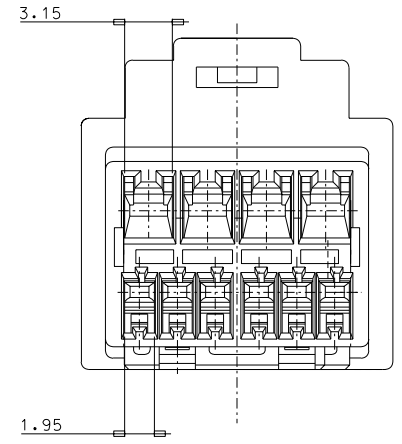
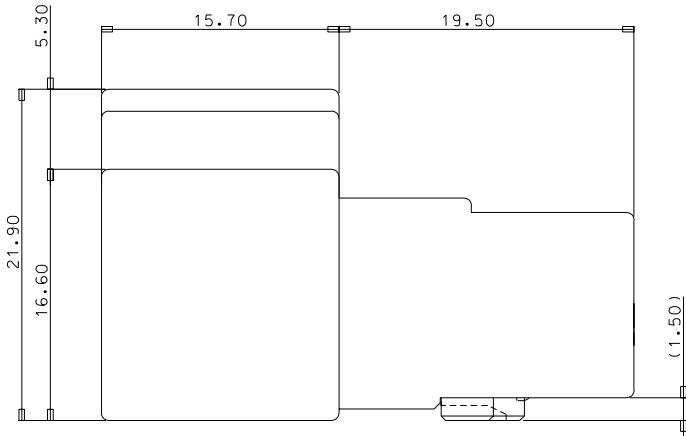
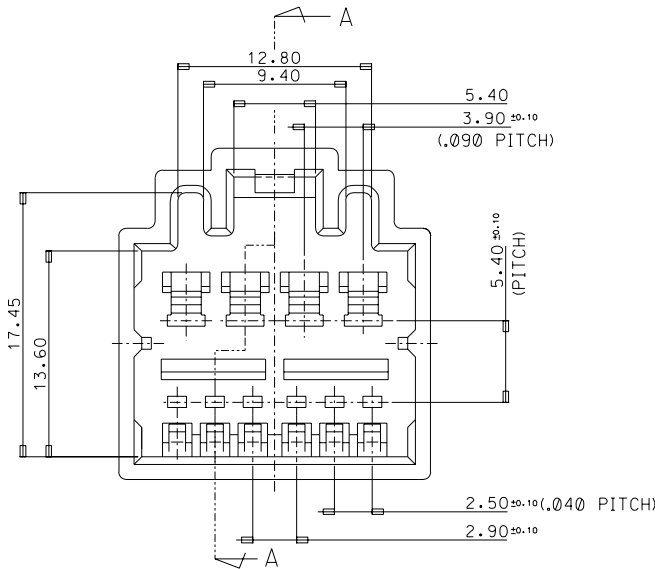


DO NOT SCALE DRAWING DIMENSION IN METRIC

PROJECT NO. DWG. NO. SD-49016-001

SIMILAR ITEM



- NOTE
1. MATERIAL & FINISH: SEE TABLE
 2. MATING CONNECTOR : 49014-10*0
 3. APPLICATION TERMINAL : 57919-6*02(090)
50660-900(1040)

NO.	PART NO.	PART NAME	MATERIAL	REMARK
1	49016-1090	.040/090 M/HSG 10P	POLYESTER	WHITE
2	49017-1083	.040/090 MALE TPA 10P	POLYESTER	YELLOW

490161010	49016-1010
MATERIAL NO.	ENG. NO.

NEW RELEASE
 EC NO.: KOR2004-0040
 DRWNS: M.KIM 03/11/10
 CH'K: B.C. YOON 03/11/10
 APPR: C.W. LEE

QUALITY SYMBOLS
 MAJOR =
 CRITICAL =

	GENERAL TOLERANCES: (UNLESS SPECIFIED)	
	mm	INCH
4 PLACES	±0.	±.
3 PLACES	±0.	±.
2 PLACES	±0.3	±.
1 PLACE	±0.2	±.

ANGULAR: ± 1°

DRAFT WHERE APPLICABLE MUST REMAIN WITHIN DIMENSIONS

SCALE 3:1
 DESIGN UNITS mm INCH
 DRAWN BY & DATE: 2003/03/04 H.C.RHO
 CHECKED BY & DATE: 2003/03/04 H.C.RHO
 APPROVED BY & DATE: 2003/03/05 C.W.LEE
 CAD FILENAME: SD49016.DGN

DIMENSIONS: mm INCH mm ONLY
 SHT REV
 REVISION ON CAD ONLY

TITLE: .040/090 MALE HOUSING ASS'Y 10P

MOLEX INCORPORATED

MATERIAL NO. SEE TABLE
 DRAWING NO. SD-49016-001
 SHEET NO. 1 OF 1

THIS DRAWING CONTAINS INFORMATION THAT IS PROPRIETARY TO MOLEX INCORPORATED AND SHOULD NOT BE USED WITHOUT WRITTEN PERMISSION.

SIZE B