

ANTI-VANDAL SWITCHES  
 DETECTOR SWITCHES  
 DIP SWITCHES  
 KEYLOCK SWITCHES  
 NAVIGATION SWITCHES  
 PUSHBUTTON SWITCHES  
 ROCKER SWITCHES  
 ROTARY SWITCHES  
 SLIDE SWITCHES  
 SNAP ACTION SWITCHES  
**TACTILE SWITCHES**  
 TOGGLE SWITCHES  
 CAP OPTIONS



## APPLICATIONS / MARKETS



Audio / Visual



Computer Peripherals



Consumer Electronics



Instrumentation



Medical Equipment



Telecommunication

**RoHS**

## SPECIFICATIONS

**Electrical Rating:** 50mA 12VDC  
**Life Expectancy:** 500,000 Cycles  
**Contact Resistance:** 100mΩ Max.  
**Insulation Resistance:** 100MΩ Min. at 500VDC  
**Dielectric Strength:** 500VDC for 1 Minute  
**Operating Temperature:** -20°C to 70°C  
**Operating Force:** 160gf ± 50gf  
**Travel:** 0.20mm ± 0.10mm

**Function:** SPST, Off-(On), Momentary

## FEATURES & BENEFITS

- 500,000 cycle life expectancy
- Multiple cap options
- Illumination options

## PART NUMBER CONFIGURATOR

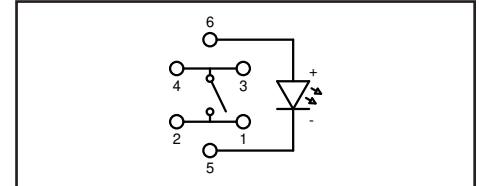
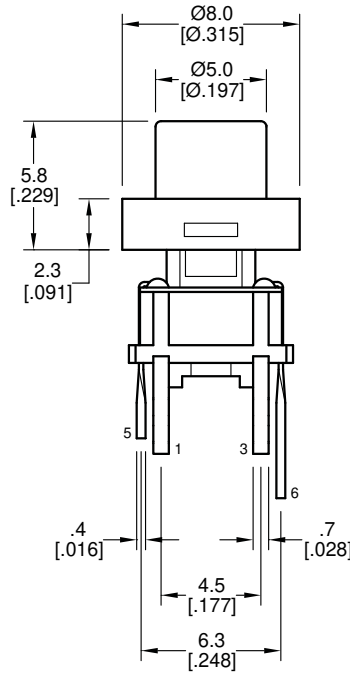
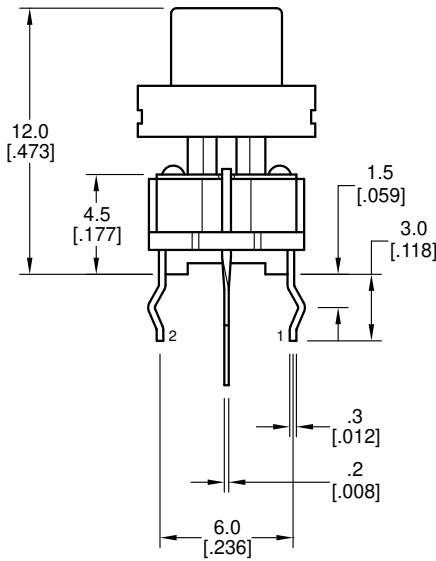
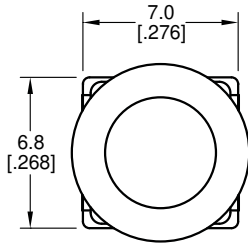
Series	Model	LED Option	Contact Material	Cap Option	Cap Color
<input type="text" value="TL"/>	<input type="text" value="1265"/>	<input type="text" value="A"/> A - None <input type="text" value="B"/> B - Blue <input type="text" value="R"/> R - Red <input type="text" value="G"/> G - Green <input type="text" value="Y"/> Y - Yellow <input type="text" value="W"/> W - White	<input type="text" value="Q"/> Q - Silver	<input type="text" value="R"/> R - 8mm Diameter, Round Flat <input type="text" value="S"/> S - 5mm Diameter, Round <input type="text" value="T"/> T - 4.7mm Diameter, Round <input type="text" value="N"/> N - No Cap	<input type="text" value="BLK"/> BLK - Black <input type="text" value="GRN"/> *GRN - Green <input type="text" value="RED"/> *RED - Red <input type="text" value="GRY"/> *GRY - Gray <input type="text" value="YEL"/> *YEL - Yellow <input type="text" value="CLR"/> **CLR - Clear

\* Available in "R" cap option only  
 \*\* "CLR" cap not available in "R" cap option

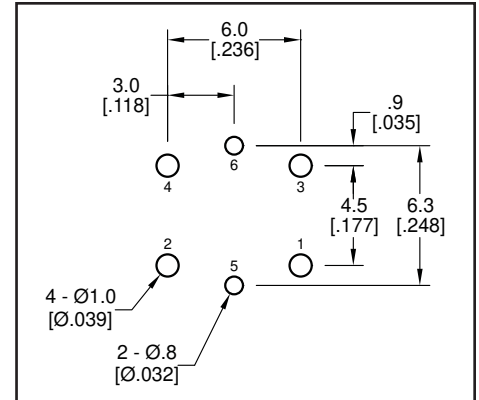
*Specifications subject to change without notice*



## BODY DIMENSIONS



**SCHEMATIC**



**PCB LAYOUT**

## LED SPECIFICATIONS

LED Specifications			
Color	Forward Current mA (Nom.)	Forward Voltage Voltage at 20mA (Typ-Max)	Luminous Intensity mcd (Typ.) at 20mA
Red	20	1.95 - 2.5	1800
Blue	20	2.9 - 4.0	150
Green	20	2.1 - 2.5	800
Yellow	20	2.0 - 2.5	1800
White	20	3.2 - 4.0	150

