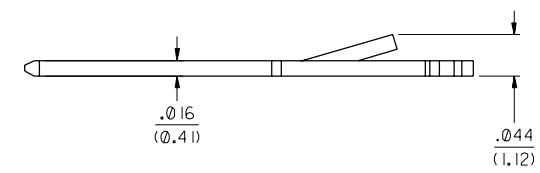
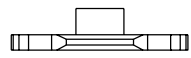
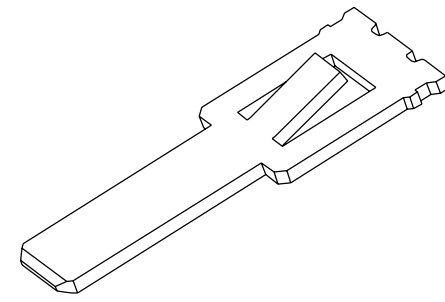


- NOTES:**
1. MATERIAL: PHOSPHOR BRONZE
  2. PLATING: SELECTIVE GOLD (Au)  
THICKNESS= 4 MICROINCH / 0.10 MICROMETER MINIMUM NICKEL (Ni) OVERALL
  3. THIS PRODUCT CONFORMS TO PRODUCT SPECIFICATION PS-71182.
  4. PARTS ARE SHIPPED ON REELS  
QUANTITY: 10,000 PARTS PER REEL



RELEASE EC No. U180322 DRWN: SCARTH 97/07/17 CHK: NELLIGAN 97/07/21 APPR: NELLIGAN 97/07/21	DESCRIPTION	QUALITY SYMBOLS	GENERAL TOLERANCES: (UNLESS SPECIFIED)		SCALE 10:1	DESIGN UNITS <input type="checkbox"/> mm <input checked="" type="checkbox"/> INCH	DIMENSIONS: <input type="checkbox"/> mm <input checked="" type="checkbox"/> INCH <input type="checkbox"/> mm ONLY		SHT	REV		
		MAJOR $\nabla=0$	mm	INCH	DRAWN BY & DATE SCARTH 97/07/17	THIRD ANGLE PROJECTION		TITLE: KEY FOR P&D DIGITAL PLUG SALES DRAWING				
A	REV	CRITICAL $\nabla=C=0$	4 PLACES $\pm 0.$ $\pm .$		CHECKED BY & DATE NELLIGAN 97/07/21		APPROVED BY & DATE NELLIGAN 97/07/21		MATERIAL NO. 73816-1001		DRAWING NO. SD-73816-001	SHEET NO. 1 OF 1
			3 PLACES $\pm 0.$ $\pm .010$		APPROVED BY & DATE NELLIGAN 97/07/21		MATERIAL NO. 73816-1001		DRAWING NO. SD-73816-001		SHEET NO. 1 OF 1	SIZE C
			2 PLACES $\pm 0.25$ $\pm .$		APPROVED BY & DATE NELLIGAN 97/07/21		MATERIAL NO. 73816-1001		DRAWING NO. SD-73816-001		SHEET NO. 1 OF 1	SIZE C
			1 PLACE $\pm 0.$ $\pm .$		ANGULAR: $\pm 1/2^\circ$		MATERIAL NO. 73816-1001		DRAWING NO. SD-73816-001		SHEET NO. 1 OF 1	SIZE C
			DRAFT WHERE APPLICABLE MUST REMAIN WITHIN DIMENSIONS		THIS DRAWING CONTAINS INFORMATION THAT IS PROPRIETARY TO MOLEX INCORPORATED AND SHOULD NOT BE USED WITHOUT WRITTEN PERMISSION.							