

# 21 Series



NYLON 6.6

GENERAL PURPOSE

MATERIAL OPERATING TEMPERATURE: -40°C to +85°C

APPLICATION OPERATING TEMPERATURE: -10°C to +85°C

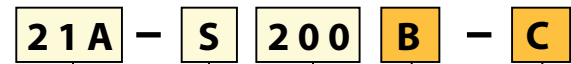
APPROVALS<sup>1</sup>: us

Part Number	Width mm [Inch]	Length mm [Inch]	Max Bundle Diameter mm [Inch]	Min Loop Tensile Kg [lb]
<b>M - 18lb</b>				
21A-M100	2.5 [.098]	100 [4.0]	21.6 [0.85]	8 [18]
<b>I - 40lb</b>				
21B-I155	3.6 [.140]	155 [6.0]	37.9 [1.49]	18 [40]
<b>S - 50lb</b>				
21A-S100	4.8 [.189]	100 [4.0]	21.6 [0.85]	22 [50]
21A-S130	4.8 [.189]	130 [5.1]	30.7 [1.21]	22 [50]
21A-S200	4.8 [.189]	200 [8.0]	50.0 [1.97]	22 [50]
21B-S200	4.8 [.189]	200 [8.0]	50.8 [2.00]	22 [50]

Notes:  
1. 21B-I155 is not UL approved



## PART NUMBER SYSTEM



**SERIES**

**CROSS SECTION**

**LENGTH**

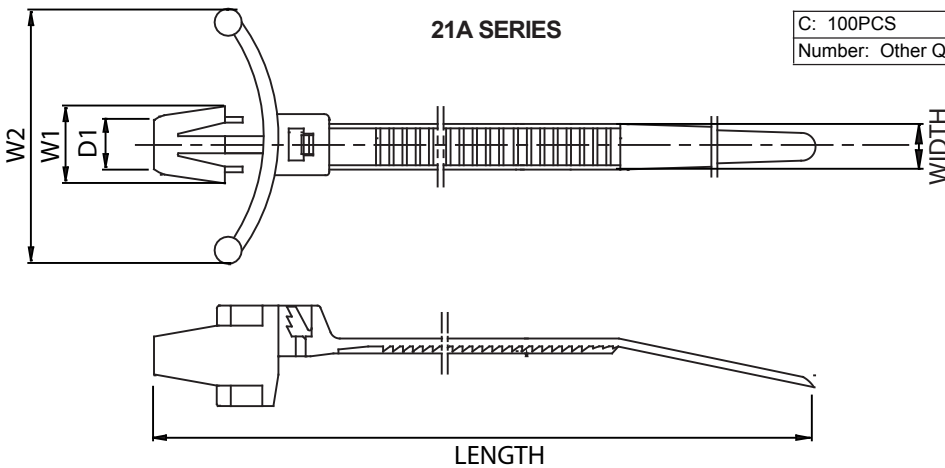
**MATERIAL/COLOR**

- N: Natural
- B: Normal UV Black

**PACKAGE SIZE**

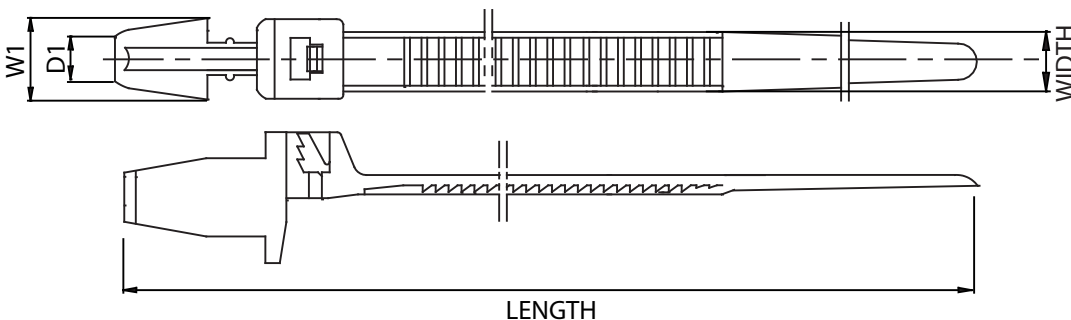
- C: 100PCS
- Number: Other Quantity

21A SERIES



Part Number	W1 mm [Inch]	W2 mm [Inch]	D1 mm [Inch]
21A-M100	5.58 [.220]	18.4 [.725]	3.55 [.140]
21A-S100	8.38 [.330]	18.9 [.745]	4.60 [.181]
21A-S130	8.38 [.330]	18.9 [.745]	4.60 [.181]
21A-S200	7.62 [.300]	17.1 [.675]	4.60 [.181]

21B SERIES



Part Number	W1 mm [Inch]	D1 mm [Inch]
21B-I155	5.97 [.235]	3.55 [.140]
21B-S200	7.60 [.300]	4.44 [.175]