

# Data sheet

## BACnet IP / BACnet MS/TP Router

Page 1/3

P/N  
11080001

EAN 4250184158875

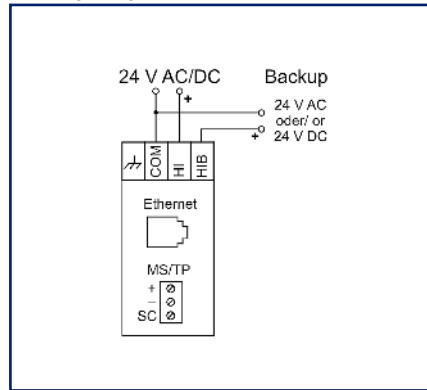
2023/06/23

Version: B

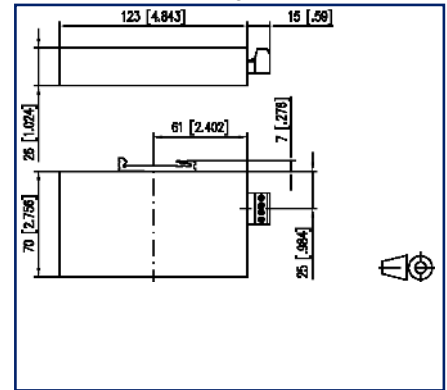
### Illustrations



Wiring diagram



Dimensional drawing



See enlarged drawings at the end of document

### Product specification

The BACnet IP / BACnet MS/TP Router provides stand-alone routing between BACnet networks such as BACnet/IP, BACnet Ethernet, and BACnet MS/TP - thereby allowing the system integrator to mix BACnet network technologies within a single BACnet internetwork. One 10/100 Mbps Ethernet port and an MS/TP port are used as communication interface to the respective BACnet networks. An integrated web server allows the configuration, status monitoring, and troubleshooting.

**Data sheet**  
**BACnet IP / BACnet MS/TP Router**

Page 2/3

P/N  
11080001

EAN 4250184158875

2023/06/23

Version: B

**Technical Data****Supply**

Operating voltage 24 V AC/DC

**Material**

Color black

**Classifications**

ETIM 7.0 EC001099

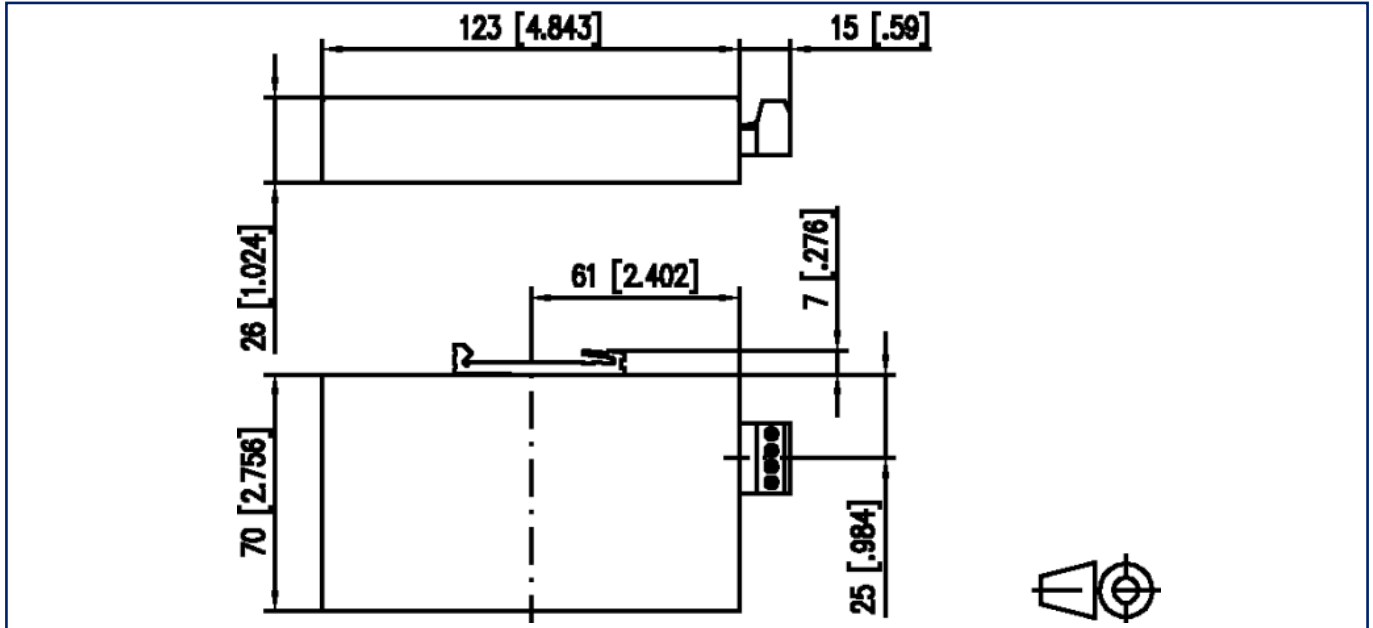
ETIM 8.0 EC001099

ETIM 9.0 EC001099



## Illustrations

Dimensional drawing



Wiring diagram

