

6

5

4

3

2

1

E

E

D

D

C

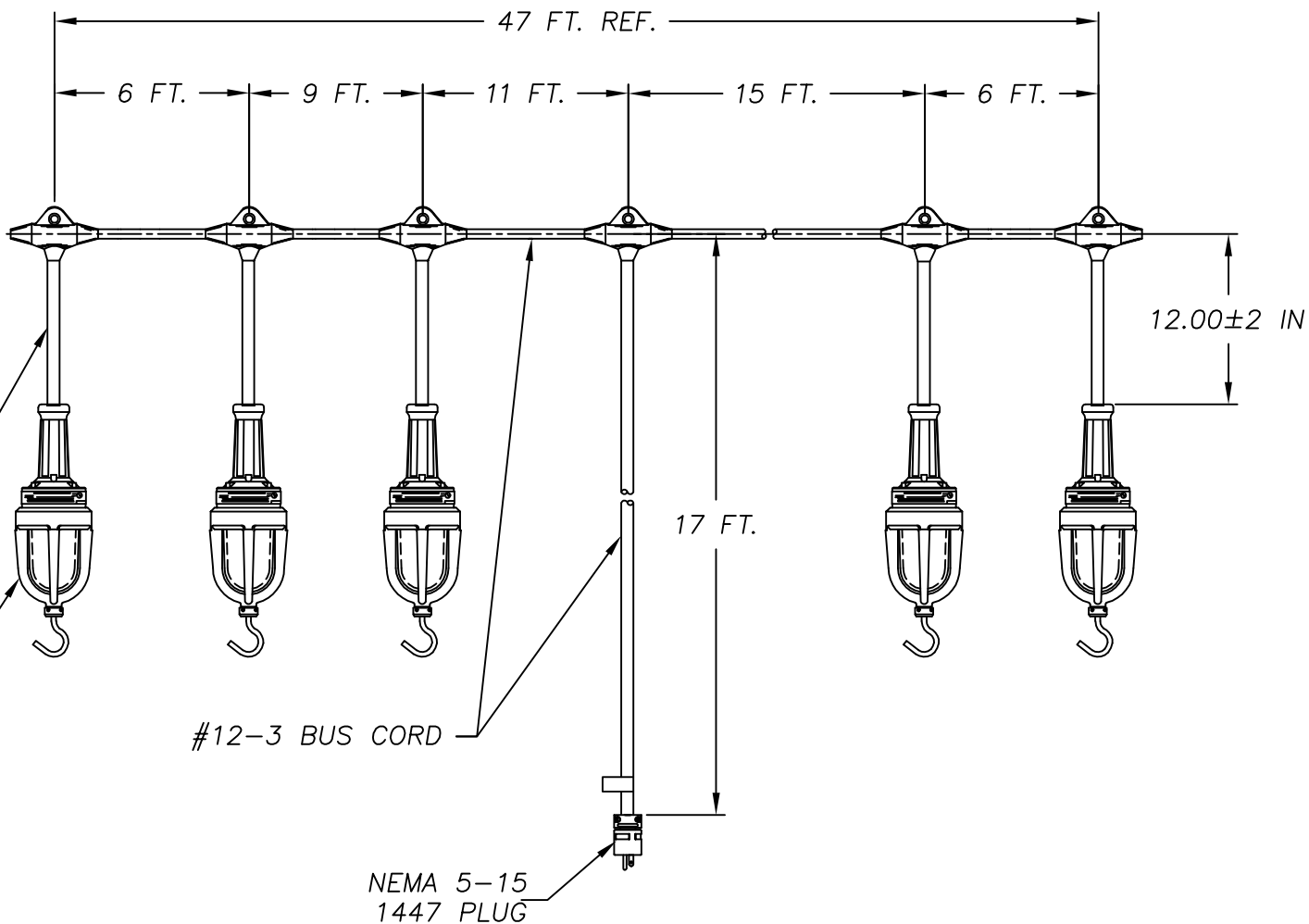
C

B

B

A

A



CUSTOMER DRAWING EC NO: WNA2009-0835 DRWN: HKNEELAN 7/1/09 CHKD: HKNEELAN 2009/07/01 APPR: DTTITUS 2009/08/03 REV A	QUALITY SYMBOLS ▽=0 ∇=0	GENERAL TOLERANCES (UNLESS SPECIFIED)		DIMENSION STYLE INCH	SCALE NTS	DESIGN UNITS INCH	THIRD ANGLE PROJECTION	
		mm	INCH	DRAWN BY	DATE	TITLE		
	4 PLACES	±----	±----	HKNEELAN	2009/07/17	STRINGLIGHTS HAZARDOUS (5)61430 LAMPS/ T-DROPS 47' TOTAL VARIABLE SPCNG		
	3 PLACES	±----	±----	CHECKED BY	DATE			
	2 PLACES	±----	±----	HKNEELAN	2009/07/17	MOLEX INCORPORATED		
1 PLACE	±----	±----	APPROVED BY	DATE				
	ANGULAR ±.5°		DTITUS	2009/07/20	DOCUMENT NO.			
DRAFT WHERE APPLICABLE MUST REMAIN WITHIN DIMENSIONS			MATERIAL NO.	1301040064		SD-130104-002	SHEET NO.	
			SIZE	A				1 OF 1
THIS DRAWING CONTAINS INFORMATION THAT IS PROPRIETARY TO MOLEX INCORPORATED AND SHOULD NOT BE USED WITHOUT WRITTEN PERMISSION								

6

5

4

3

2

1