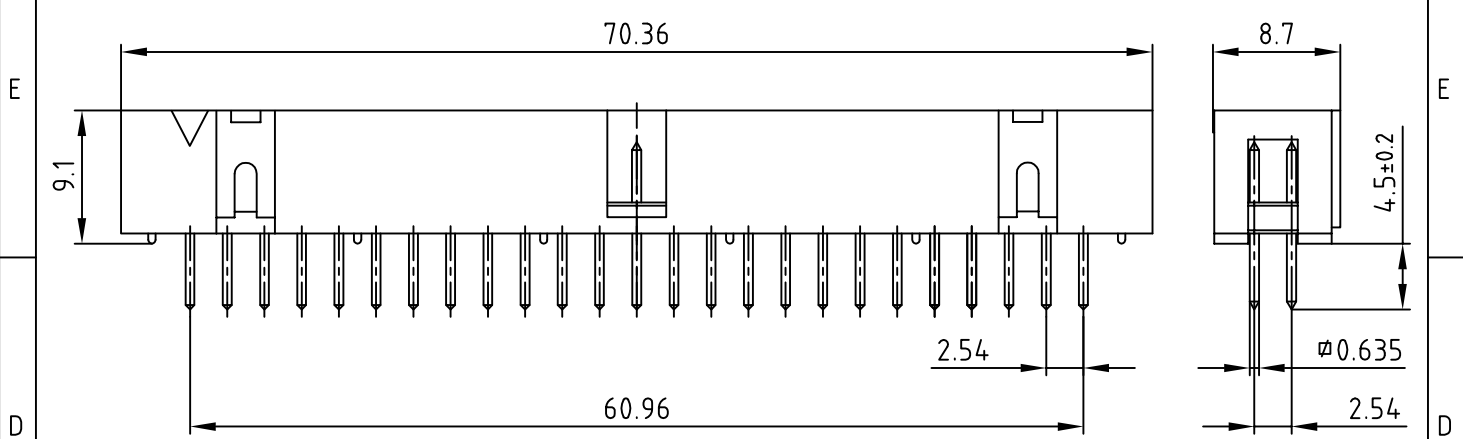
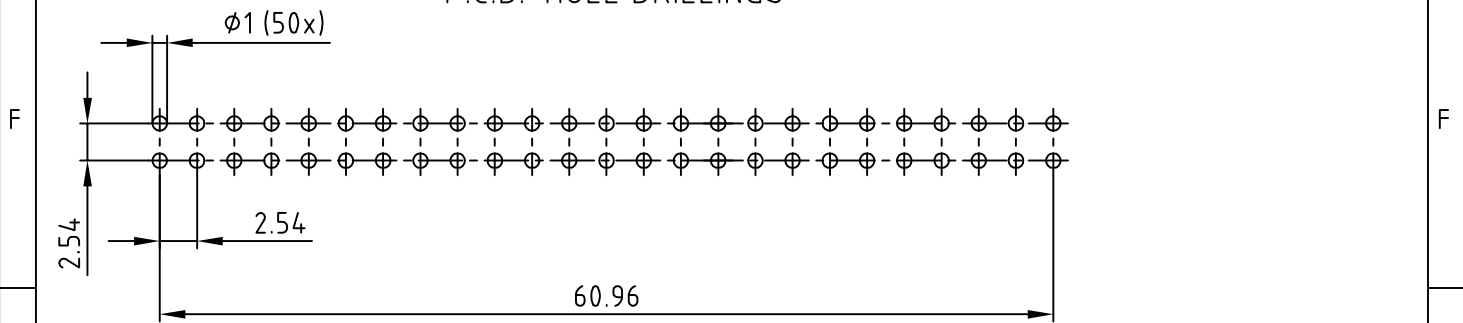


P.C.B.-HOLE DRILLINGS

used for: DIN 41651



NOTES:

1. PLASTIC HOUSING SPECIFICATION
  - PLASTIC MATERIAL: PBT 20% GF
  - PRODUCT RATING: UL-94 V-0
2. CONTACT SPECIFICATION
  - BASE MATERIAL: Cu Sn 5
  - PLATING: SELECTIVE PLATING:
    - GOLD 4µin
    - TIN 30µin
    - over 50µin NICKEL BASE
3. PERFORMANCE RATING
  - WITHSTANDING: 1000V DC or AC PEAK
  - CURRENT RATING: 1.0A
  - CONTACT RESISTANCE: 20mOhm
  - INSULATION RESISTANCE: 5000MOhm at 100V
  - NORMAL OPERATING TEMPERATURE:
    - 40 DEGREE TO +105 DEGREE CENTIGRADE



THIS DRAWING MAY NOT BE COPIED OR REPRODUCED IN ANY WAY, AND MAY NOT BE PASSED ON TO A THIRD PARTY WITHOUT WRITTEN PERMISSION.  
 OWNERSHIP AND COPYRIGHT OF CONEC GmbH  
 DO NOT ALTER CAD DRAWING BY HAND

|      |             |      | tolerance |           |              |  |
|------|-------------|------|-----------|-----------|--------------|--|
|      |             |      | 2008      | date      | name         |  |
|      |             |      | drawn     | 05.12.    | Sonnenberg   |  |
|      |             |      | appd.     | 05.12.    | Mickenbecker |  |
|      |             |      | norm      | DIN 41651 |              |  |
|      |             |      | d-old     |           |              |  |
| a    | Origin      |      |           |           |              |  |
| rev. | description | date |           |           |              |  |

|           |   |         |
|-----------|---|---------|
| scale:    | 2:1   |         |
| material: | SEE DRAWING   |         |
| title:    | LOW PROFILE HEADER<br>50pos.<br>with straight solder pins |         |
| dwg no:   | AutoCAD 2006  | DIN-A   |
|           | 14K1A022  | 4       |
| part no:  | 141A11799X  |         |
|           |   | sh: 1/1 |

4

3

2

1