

ASSY NO.	LED COLOR (DIFFUSED)	
	POSITION 1	POSITION 2
571-0122-804F	GREEN	GREEN

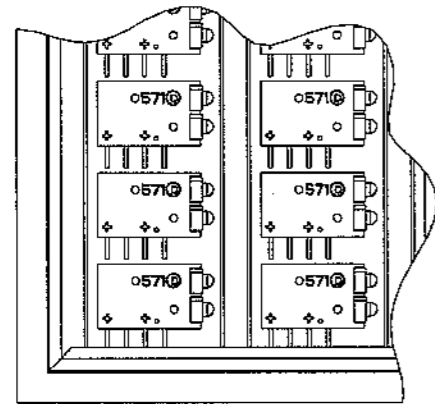
RoHS Compliant 571-0122-804F

Part Numbers with the "F" suffix ending are RoHS Compliant. Packaging is marked with "RoHS Compliant" label or equivalent markings. Parts can be wave soldered, dip soldered or hand soldered using typical lead-free soldering process with max 260°C temp. for 5 sec.

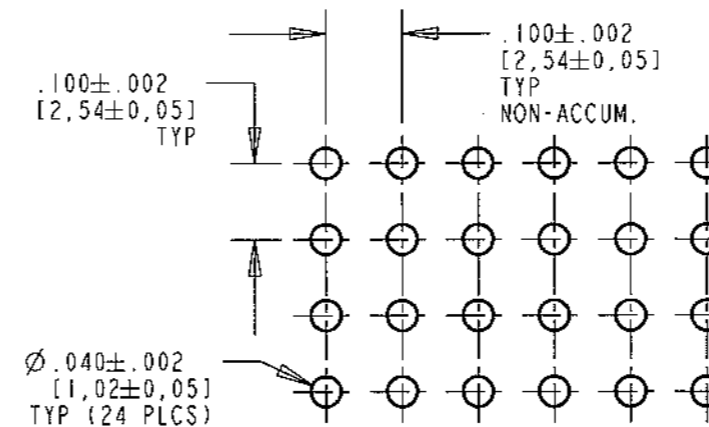
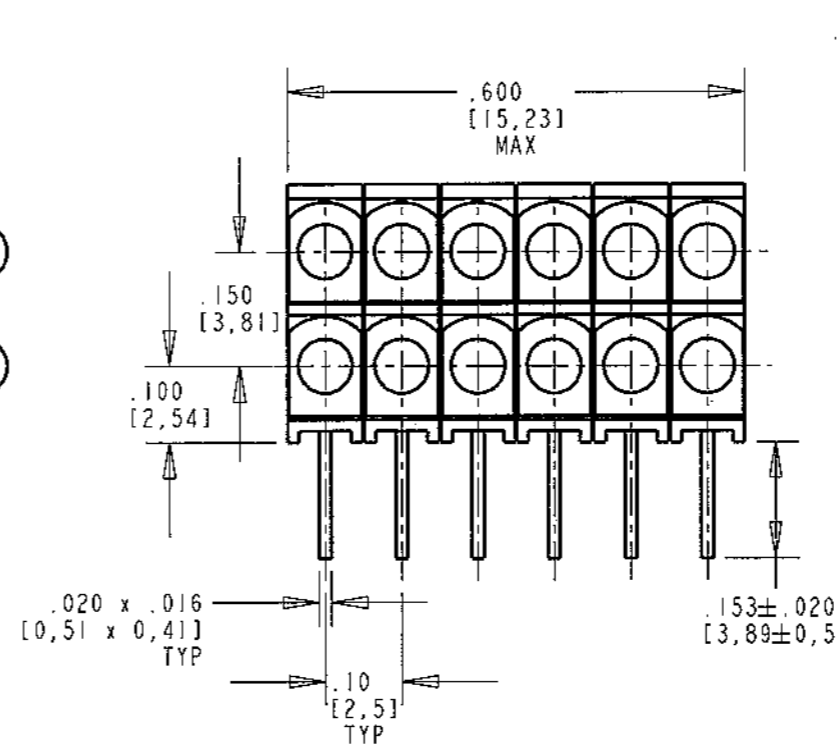
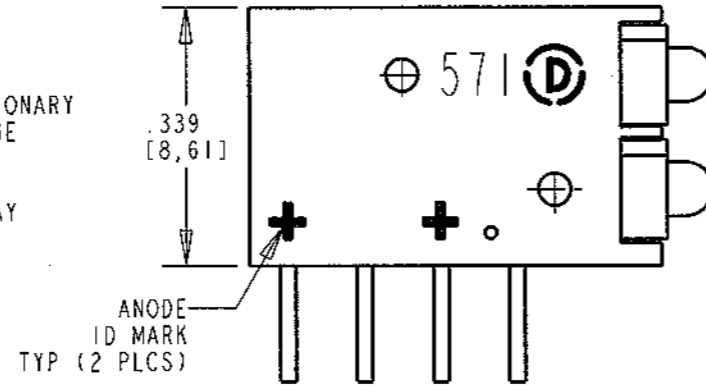
REV	ECN NO	REVISIONS	DRN	CKD	APR	DATE
A		NEW RELEASE	KLJ	7.8	10	10-9-08

NOTES:

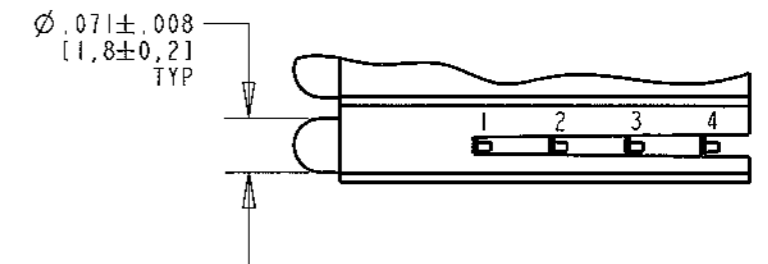
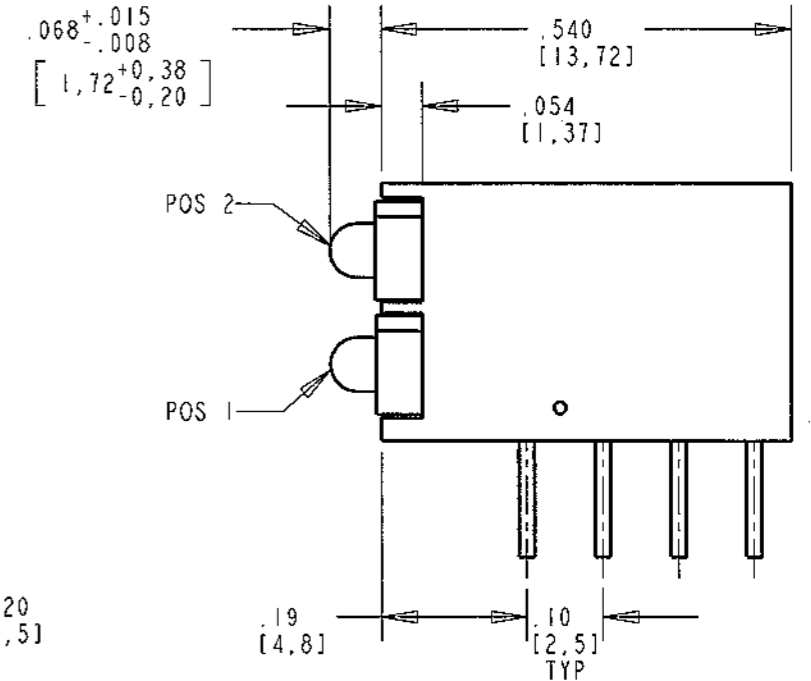
- LED LEAD DIMENSIONS ARE MEASURED AT HOUSING EXIT.
- LEADS TO FIT INTO HOLES SPACED AS PER PATTERN.
- PIN NUMBERS FOR REFERENCE ONLY, DESIGNATION NON-EXISTENT ON PARTS.
- DIALIGHT PART NUMBER: 571-0122-804F
- THIS ASSEMBLY CONTAINS ELECTROSTATIC DISCHARGE SENSITIVE DEVICES (ESDS). MAINTAIN ALL PRECAUTIONARY MEASURES DURING ASSEMBLY, HANDLING, AND STORAGE IN ACCORDANCE WITH IPC-A-610.
- PARTS PACKAGED IN TRAYS: 16 PCS/ROW, 80 PCS/TRAY (SEE PACKAGING DETAIL BELOW)



PACKAGING DETAIL



RECOMMENDED P.C.B. HOLE PATTERN



OPERATING CHARACTERISTICS AT 25°C AMBIENT					
CHARACTERISTICS	MIN	TYP	MAX	UNITS	TEST CONDITIONS
LUMINOUS INTENSITY	5	10		mcd	I _F = 10 mA
FORWARD VOLTAGE		2.2	2.5	V	I _F = 20 mA
DOMINANT WAVELENGTH		568		nm	
PEAK EMISSION WAVELENGTH		565		nm	
VIEWING ANGLE (2θ1/2)		70		Degree	

ABSOLUTE MAXIMUM RATINGS AT 25°C AMBIENT		
	GREEN DIFFUSED	UNITS
POWER DISSIPATION	105	mW
FORWARD CURRENT	25	mA
PEAK FORWARD CURRENT (1/10 DUTY CYCLE, 0.1ms PULSE WIDTH)	140	mA
DERATING LINEAR FROM 25 °C	.33	mA/°C
REVERSE VOLTAGE	5	V
LEAD SOLDERING TEMPERATURE, 5 SEC, .157" FROM BODY	260	°C
OPERATING TEMPERATURE	-40 TO +85	°C
STORAGE TEMPERATURE	-40 TO +85	°C



ATTENTION:
OBSERVE PRECAUTIONS FOR
HANDLING ELECTROSTATIC
SENSITIVE DEVICES

THIS DRAWING AND THE CONTENTS HEREIN ARE CONFIDENTIAL AND THE SOLE PROPERTY OF DIALIGHT. REPRODUCTION OF THIS DRAWING OR CONSTRUCTION OF ANY PARTS WITHIN THIS DRAWING ARE FORBIDDEN WITHOUT THE WRITTEN CONSENT OF DIALIGHT.		
SCALE: 4.000	DRAWING NUMBER	REV
ALL DIM'S IN: INCHES (MM)	C-17518	A
TOLERANCES: UNLESS OTHERWISE SPECIFIED	TITLE 2mm CBI 2x6 ARRAY RoHS COMPLIANT	
FRACTIONS: ±1/64	MATERIAL	
DECIMALS (.XX): ±.02	Dialight	
DECIMALS (.XXX): ±.015	1501 ROUTE 34 SOUTH FARMINGDALE, NJ 07727	
ANGLES: ±3°	FSCM 83330	
FINISH:	SHEET 1 OF 1 FAMILY TABLE:	