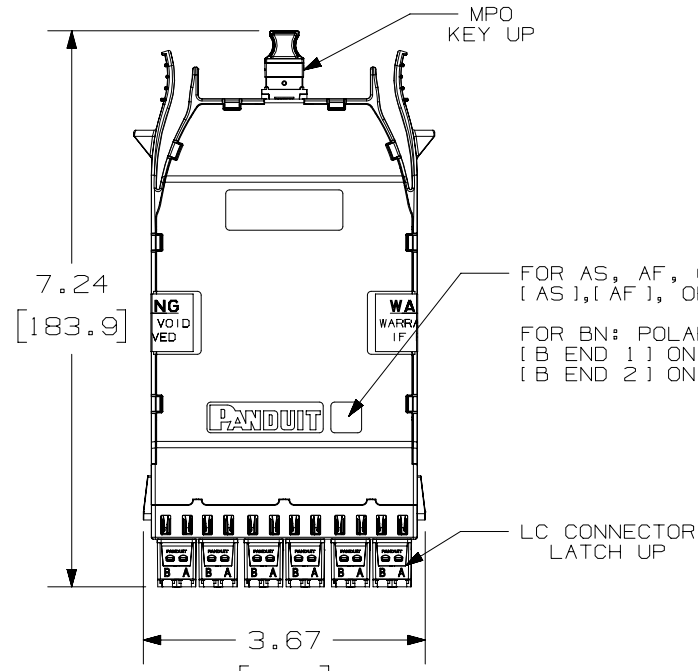


THIS COPY IS PROVIDED ON A RESTRICTED BASIS AND IS NOT TO BE USED IN ANY WAY DETRIMENTAL TO THE INTERESTS OF PANDUIT CORP.

- NOTES:
1. SEE CURRENT CATALOG FOR PART NUMBER SUFFIXES TO INDICATE COLOR AND/OR PACKAGE QUANTITIES.
 2. SEE CATALOG FOR COMPLETE LIST OF PARTS APPLICABLE FOR USE WITH THIS PRODUCT.
 3. PART NUMBERS: SEE SHEET 2 FOR ALL PART NUMBERS.
 4. CASSETTE WIRING COMPLIES WITH ANSI/TIA-568.3-D.
 5. CASSETTE WEIGHT: 3oz (85g)
 6. SEE TABLE ON SHEET 2 FOR LIST OF PART NUMBERS.

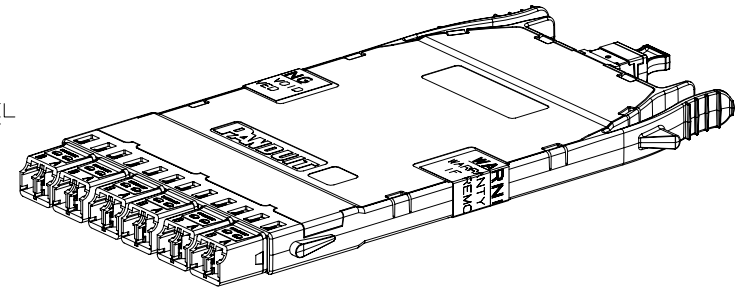
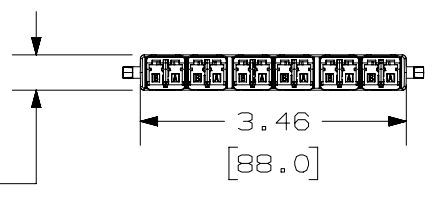
FIBER POSITION 1 2 3 4 5 6 7 8 9 10 11 12



FOR AS, AF, OR U: POLARITY LABEL [AS],[AF], OR [U] ON COVER ONLY

FOR BN: POLARITY LABEL [B END 1] ON COVER AND [B END 2] ON BASE.

FIBER POSITION 1 2 3 4 5 6 7 8 9 10 11 12



METHOD A 12F - CASSETTE (AS)												
MPO END / LC END	FIBER POSITION FROM MPO END TO LC END											
MPO	1	2	3	4	5	6	7	8	9	10	11	12
LC	1	2	3	4	5	6	7	8	9	10	11	12
METHOD A FLIPPED 12F - CASSETTE (AF)												
MPO END / LC END	FIBER POSITION FROM MPO END TO LC END											
MPO	1	2	3	4	5	6	7	8	9	10	11	12
LC	2	1	4	3	6	5	8	7	10	9	12	1
METHOD B 12F - CASSETTE (BN)												
MPO END / LC END	FIBER POSITION FROM MPO END TO LC END											
MPO	12	11	10	9	8	7	6	5	4	3	2	1
LC	1	2	3	4	5	6	7	8	9	10	11	12
UNIVERSAL 12F - CASSETTE (U)												
MPO END / LC END	FIBER POSITION FROM MPO END TO LC END											
MPO	1	2	3	4	5	6	7	8	9	10	11	12
LC	1	12	2	11	3	10	4	9	5	8	6	7

NOTE: B END CASSETTE HAS B END 1 AND B END 2 POLARITY LABELS

REV	DATE	BY	CHK	APR	DESCRIPTION	ECN
01D	06-26-18	SAT	PJI	EJH	D. UPDATED NOTE 4. C. ADDED UNIVERSAL P/N's.	12F187HA-DC
01C	10-31-17	SAT	JGD	EJH	B. ADDED P/N's FHCWA-12-10AS, FHCWA-12-10AF & FHCWA-12-10BN.	12F187HA-DC
2	5/18/15	JSP	JAWI	RAR	A. ADDED WIRE CHART.	12F187HA-DC
1	02-09-15	SAT	JESA	RAR	RELEASED TO PRODUCTION	12F187HA-DC

TITLE HD FLEX 12 FIBER LC - MPO CASSETTE CUSTOMER DRAWING					
ITEM REVISION NAME 12F187HA/01			PANDUIT		
DATASET FILE NAME 12F187HA_DC/01D					
UNLESS OTHERWISE SPECIFIED, DIMENSIONAL TOLERANCES ARE: IN [mm]					
.x ± .1 [2.54]		.xxx ± .005 [.127]		MATERIAL:	
.xx ± .01 [.25]		ANGLES ± 5 °		DRAWING NUMBER: 12F187HA-DC	
DRAWN BY SAT		DATE 01-22-15	CHK JESA	SCALE NONE	SHT 1 OF 2
					SIZE A

2

1

THIS COPY IS PROVIDED ON A RESTRICTED BASIS AND IS NOT TO BE USED IN ANY WAY DETRIMENTAL TO THE INTERESTS OF PANDUIT CORP.

CASSETTE PART NUMBER	DESCRIPTION
FHCXO-12-10AS	12 FIBER LC - OM3 OPTIMIZED LOSS, POLARITY INDICATOR METHOD AS
FHCZO-12-10AS	12 FIBER LC - OM4 OPTIMIZED LOSS, POLARITY INDICATOR METHOD AS
FHCXO-12-10AF	12 FIBER LC - OM3 OPTIMIZED LOSS, POLARITY INDICATOR METHOD AF
FHCZO-12-10AF	12 FIBER LC - OM4 OPTIMIZED LOSS, POLARITY INDICATOR METHOD AF
FHCXO-12-10BN	12 FIBER LC - OM3 OPTIMIZED LOSS, POLARITY INDICATOR METHOD B
FHCZO-12-10BN	12 FIBER LC - OM4 OPTIMIZED LOSS, POLARITY INDICATOR METHOD B
FHCZA-12-10AS	12 FIBER LC - OM4 ULTRA LOW LOSS, POLARITY INDICATOR METHOD AS
FHCZA-12-10AF	12 FIBER LC - OM4 ULTRA LOW LOSS, POLARITY INDICATOR METHOD AF
FHCZA-12-10BN	12 FIBER LC - OM4 ULTRA LOW LOSS, POLARITY INDICATOR METHOD B
FHC9N-12-10AS	12 FIBER LC - OS2 STANDARD LOSS, POLARITY INDICATOR METHOD AS
FHC9N-12-10AF	12 FIBER LC - OS2 STANDARD LOSS, POLARITY INDICATOR METHOD AF
FHC9N-12-10BN	12 FIBER LC - OS2 STANDARD LOSS, POLARITY INDICATOR METHOD B
FHCWA-12-10AS	12 FIBER LC - OM5+ ULTRA LOW LOSS, POLARITY INDICATOR METHOD AS
FHCWA-12-10AF	12 FIBER LC - OM5+ ULTRA LOW LOSS, POLARITY INDICATOR METHOD AF
FHCWA-12-10BN	12 FIBER LC - OM5+ ULTRA LOW LOSS, POLARITY INDICATOR METHOD B
FHCXO-12-10U	12 FIBER LC - OM3 OPTIMIZED LOSS, UNIVERSAL
FHCZO-12-10U	12 FIBER LC - OM4 OPTIMIZED LOSS, UNIVERSAL
FHC9N-12-10U	12 FIBER LC - OM2 STANDARD LOSS, UNIVERSAL
FHCXA-12-10U	12 FIBER LC - OM3 ULTRA LOW LOSS, UNIVERSAL
FHCZA-12-10U	12 FIBER LC - OM4 ULTRA LOW LOSS, UNIVERSAL
FHCSA-12-10U	12 FIBER LC - OM4+ SIG. CORE ULTRA LOW LOSS, UNIVERSAL

B

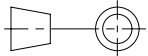
B



A

A

D10.100DA/14

					TITLE HD FLEX 12 FIBER LC - MPO CASSETTE CUSTOMER DRAWING							
					ITEM REVISION NAME 12F187HA/01							
					DATASET FILE NAME 12F187HA_DC/01D							
					UNLESS OTHERWISE SPECIFIED, DIMENSIONAL TOLERANCES ARE: IN (mm) .x ± .1 (2.54) .xxx ± .005 (.127) .xx ± .01 (.25) ANGLES ± 5 °							
					 THIRD ANGLE PROJECTION							
					DRAWING NUMBER: 12F187HA-DC							
REV	DATE	BY	CHK	APR	DESCRIPTION	ECN	DRAWN BY	DATE	CHK	SCALE	SHT 2 OF 2	SIZE
					SEE SHEET 1 FOR REVISIONS		SAT	01-22-15	JESA	NONE		A

2

1