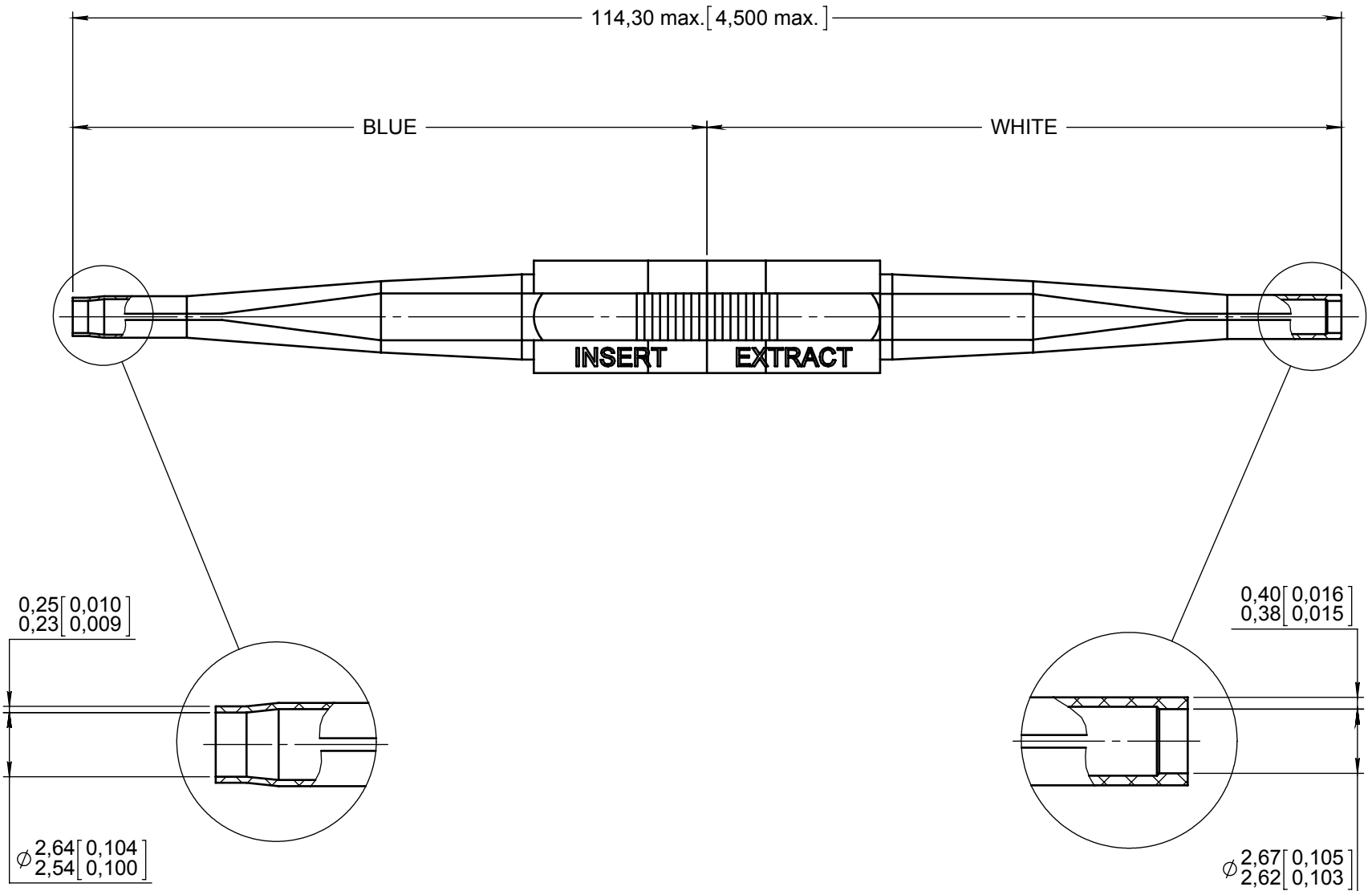


Series  
CDR

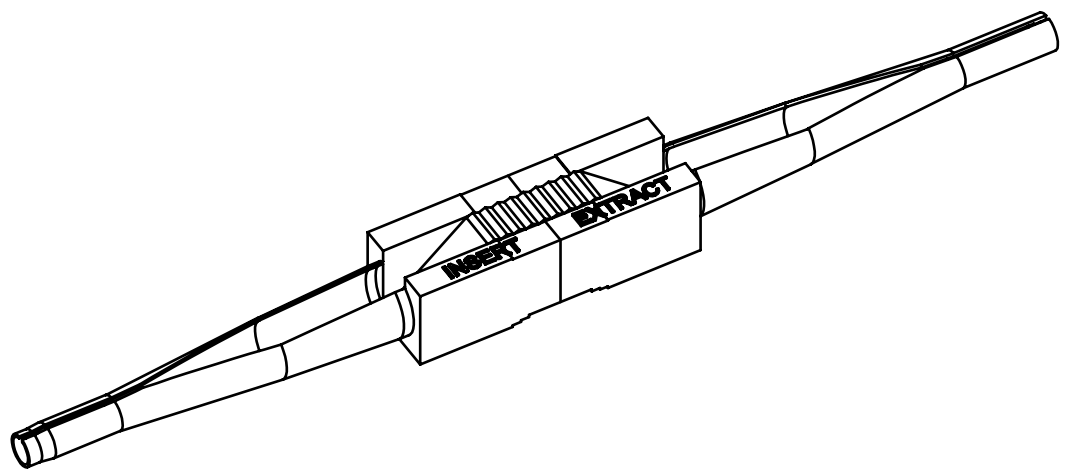
INSERTION / EXTRACTION TOOL  
FOR SIZE 16 PIN & SOCKET CONTACTS  
REF : M 81969/14-03

Issue:  
April 19, 2012

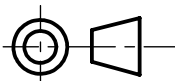
Page  
1/1



MATERIAL : Polyacetal or polyamide



DIMENSIONS : mm (inch are given for information only)



Estimated weight : 3,5 g

CREATION				
PEN:				
NOM: VALGRESY				
DATE: Nov 21, 1996				
APPR.: BALDYROU	Apr 19, 12	Redrawn on SolidWorks	CHEVREAU M.	PESSARD M.
	Issue	Revisions	Name	Approved

Confidential information not to be disclosed to third parties without Radiall approval. This information is given as an indication. In the continual goal to improve our products, we reserve the right to make any modifications judged necessary.

4112\_9311