

Features

- Surface Mount Packages
- High Quality Factor
- Capacitance Ratio to 9.5:1
- Tape and Reel Packaging Available
- SPC Monitored Ion Implantation for Excellent
- C-V Repeatability
- Singles and Common Cathode Pairs
- Lead-Free
- RoHS* Compliant

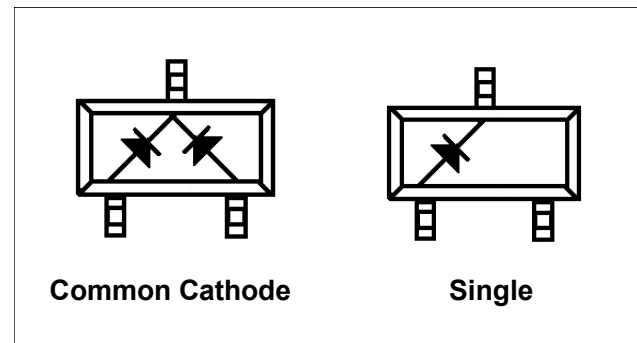
Description

The MAVR-000400 series are ion-implanted, hyperabrupt junction, silicon tuning varactors in the SOT-23 surface mount package. These thermal oxide passivated diodes feature high capacitance ratio and quality factor. They are well suited for octave bandwidth tuning in the HF to UHF frequency bands. The standard capacitance tolerance is $\pm 10\%$, with tighter tolerances available. Capacitance matching at one or more bias voltages is also available. These diodes are supplied with 100% matte Sn plating.

Applications

The MAVR-000400 series tuning varactors are useful for octave bandwidth tuning applications in the HF through UHF ranges. Applications include VCOs and voltage tuned filters in radios, cable TV tuners and test instruments where low cost and excellent lot-to-lot repeatability are critical. Linear tuning performance is available from 3 to 8 volts.

Configurations



RoHS Compliant Parts¹

RoHS Compliant Part Number	Configuration
MAVR-000401-0287AT	Single
MAVR-000403-0287AT	Single
MAVR-000404-0287AT	Single
MAVR-000405-0287AT	Single
MAVR-000407-0287AT	Single
MAVR-000409-0287AT	Single
MAVR-000401-0287FT	Common Cathode
MAVR-000403-0287FT	Common Cathode
MAVR-000404-0287FT	Common Cathode
MAVR-000405-0287FT	Common Cathode
MAVR-000407-0287FT	Common Cathode
MAVR-000409-0287FT	Common Cathode

1. Suffix refers to package style, configuration and packaging requirements. Other packages and configurations may be available upon request.

* Restrictions on Hazardous Substances, European Union Directive 2011/65/EU.

Electrical Specifications @ $T_A = +25^\circ\text{C}$

RoHS Compliant Part No. Base ²	Total Capacitance (C_T) ³			Capacitance Ratio	Q Factor	Current (I_R)	
	(pF)					CT2 / CT20	f = 50 MHz $V_R = 4\text{ V}$
	f = 1 MHz, $V_R = 4\text{ V}$			Typ.	Min.		
	Min.	Nom.	Max.			Max.	Max.
MAVR-000401-0287AT	9.0	10.0	11.0	6.0	250	10	15
MAVR-000403-0287AT	13.5	15.0	16.5	7.0	250	10	15
MAVR-000404-0287AT	16.2	18.0	19.8	7.0	175	8	10
MAVR-000405-0287AT	19.8	22.0	24.2	7.5	175	10	15
MAVR-000407-0287AT	29.7	33.0	36.3	9.0	150	10	15
MAVR-000409-0287AT	42.3	47.0	51.7	9.5	150	8	10
MAVR-000401-0287FT	9.0	10.0	11.0	6.0	250	10	15
MAVR-000403-0287FT	13.5	15.0	16.5	7.0	250	10	15
MAVR-000404-0287FT	16.2	18.0	19.8	7.0	175	8	10
MAVR-000405-0287FT	19.8	22.0	24.2	7.5	175	10	15
MAVR-000407-0287FT	29.7	33.0	36.3	9.0	150	10	15
MAVR-000409-0287FT	42.3	47.0	51.7	9.5	150	8	10

2. The suffix defines package style, configuration and packaging information. Contact representative for complete part identification.

3. Capacitance specification is per diode

Absolute Maximum Ratings^{4,5}

@ $T_A = +25^\circ\text{C}$ (Unless Otherwise Noted)

Parameter	Absolute Maximum
Reverse Voltage	30 V
Forward Current	50 mA
Total Power Dissipation	250 mW
Operating & Storage Temperature	-55°C to +125°C

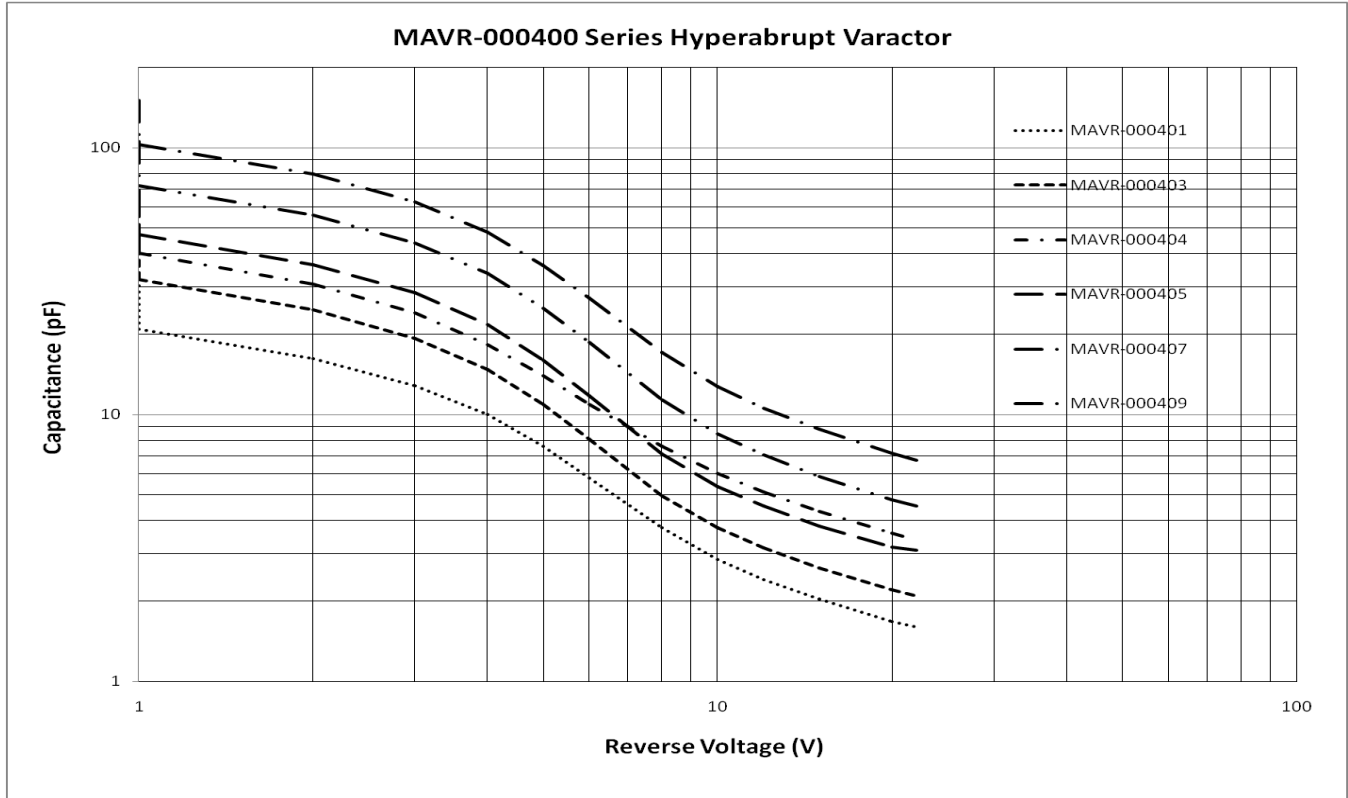
4. Operation of this device above any one of these parameters may cause permanent damage.

5. Please refer to application note M538 for surface mounting instructions.

2

MACOM Technology Solutions Inc. (MACOM) and its affiliates reserve the right to make changes to the product(s) or information contained herein without notice. Visit www.macom.com for additional data sheets and product information.

Typical Performance Curves



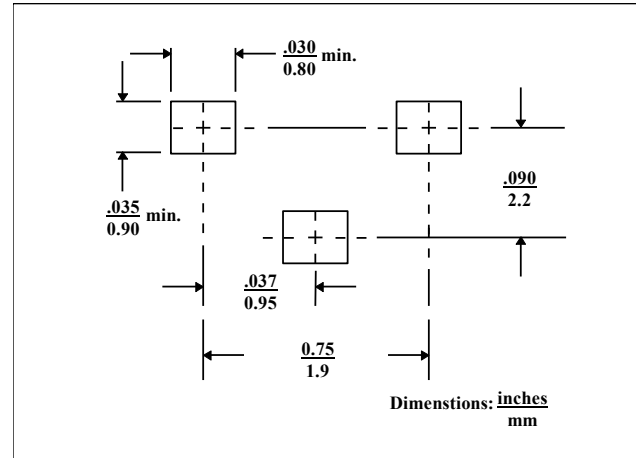
Bias (V)	MAVR-000401	MAVR-000403	MAVR-000404	MAVR-000405	MAVR-000407	MAVR-000409
0	30.37	47.05	59.64	69.45	105.60	150.59
1	20.86	32.12	40.43	47.47	72.34	103.10
2	16.19	24.72	30.89	36.55	55.93	79.70
3	12.83	19.33	24.00	28.57	44.02	62.79
4	9.99	14.74	18.35	21.73	33.85	48.45
5	7.59	10.90	13.95	15.95	25.13	36.27
6	5.80	8.08	10.94	11.73	18.64	27.26
8	3.76	4.96	7.61	7.11	11.37	17.11
10	2.86	3.76	6.00	5.37	8.45	12.73
12	2.41	3.17	5.12	4.53	7.05	10.58
15	2.03	2.66	4.33	3.81	5.87	8.79
20	1.68	2.21	3.60	3.18	4.81	7.17
22	1.60	2.09	3.39	3.11	4.53	6.75

Mounting Information

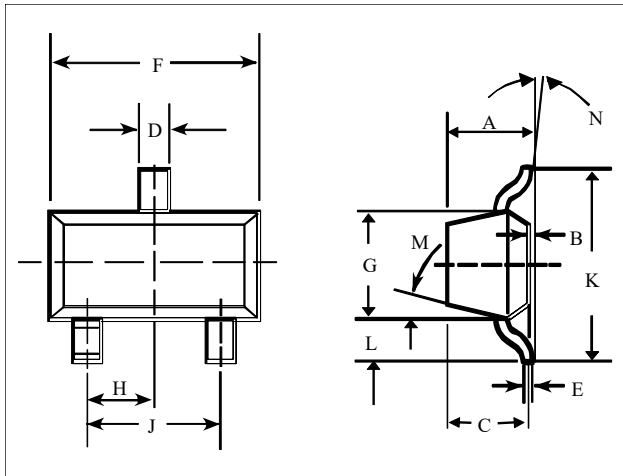
The illustration indicates the recommended mounting pad configuration for the SOT-23 package. Permanent attachment is performed by a reflow soldering procedure during which the tab temperature does not exceed +275°C and the body temperature does not exceed +260°C, using RoHS compliant solders

Please refer to Application Note M538 for surface mounting instructions.

SOT-23



SOT-23 (Case Style 287)



SOT-23 (Case Style 287)

DIM.	INCHES		MILLIMETERS	
	MIN.	MAX.	MIN.	MAX.
A	—	0.048	—	1.22
B	—	0.008	—	0.20
C	—	0.040	—	1.00
D	0.013	0.020	0.35	0.50
E	0.003	0.006	0.08	0.15
F	0.110	0.119	2.80	3.00
G	0.047	0.056	1.20	1.40
H	0.037 typical		0.95 typical	
J	0.075 typical		1.90 typical	
K	—	0.103	—	2.60
L	—	0.024	—	0.60
DIM.	GRADIENT			
M	10° max.			
N	2° . . .30°			

MACOM Technology Solutions Inc. ("MACOM"). All rights reserved.

These materials are provided in connection with MACOM's products as a service to its customers and may be used for informational purposes only. Except as provided in its Terms and Conditions of Sale or any separate agreement, MACOM assumes no liability or responsibility whatsoever, including for (i) errors or omissions in these materials; (ii) failure to update these materials; or (iii) conflicts or incompatibilities arising from future changes to specifications and product descriptions, which MACOM may make at any time, without notice. These materials grant no license, express or implied, to any intellectual property rights.

THESE MATERIALS ARE PROVIDED "AS IS" WITH NO WARRANTY OR LIABILITY, EXPRESS OR IMPLIED, RELATING TO SALE AND/OR USE OF MACOM PRODUCTS INCLUDING FITNESS FOR A PARTICULAR PURPOSE, MERCHANTABILITY, INFRINGEMENT OF INTELLECTUAL PROPERTY RIGHT, ACCURACY OR COMPLETENESS, OR SPECIAL, INDIRECT, INCIDENTAL, OR CONSEQUENTIAL DAMAGES WHICH MAY RESULT FROM USE OF THESE MATERIALS.

MACOM products are not intended for use in medical, lifesaving or life sustaining applications. MACOM customers using or selling MACOM products for use in such applications do so at their own risk and agree to fully indemnify MACOM for any damages resulting from such improper use or sale.