



Fixed Length Cable Assemblies

INCHES (MILLIMETERS)
CUSTOMER DRAWINGS AVAILABLE UPON REQUEST

SMB MINI-75 OHM STRAIGHT PLUG TO SMB MINI-75 OHM STRAIGHT PLUG



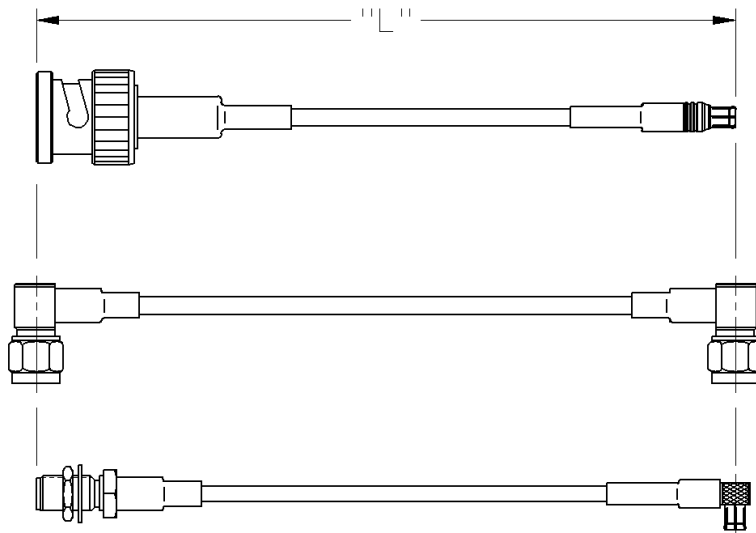
PART NUMBER	CABLE TYPE	CABLE LENGTH	CONNECTOR A	CONNECTOR B
415-0008-006	RG-179	6"	131-8403-011	131-8403-011
415-0008-012	RG-179	12"	131-8403-011	131-8403-011
415-0008-018	RG-179	18"	131-8403-011	131-8403-011
415-0008-024	RG-179	24"	131-8403-011	131-8403-011
415-0008-030	RG-179	30"	131-8403-011	131-8403-011
415-0008-036	RG-179	36"	131-8403-011	131-8403-011
415-0010-006	RG-179 DS	6"	131-8404-011	131-8404-011
415-0010-012	RG-179 DS	12"	131-8404-011	131-8404-011
415-0010-018	RG-179 DS	18"	131-8404-011	131-8404-011

PART NUMBER	CABLE TYPE	CABLE LENGTH	CONNECTOR A	CONNECTOR B
415-0010-024	RG-179 DS	24"	131-8404-011	131-8404-011
415-0010-030	RG-179 DS	30"	131-8404-011	131-8404-011
415-0010-036	RG-179 DS	36"	131-8404-011	131-8404-011
415-0012-006	Belden 735 A	6"	131-8445-001	131-8445-001
415-0012-012	Belden 735 A	12"	131-8445-001	131-8445-001
415-0012-018	Belden 735 A	18"	131-8445-001	131-8445-001
415-0012-024	Belden 735 A	24"	131-8445-001	131-8445-001
415-0012-030	Belden 735 A	30"	131-8445-001	131-8445-001
415-0012-036	Belden 735 A	36"	131-8445-001	131-8445-001

Electrical Ratings

Electrical ratings of a cable assembly are determined by the limiting connector type and cable size.

Connector	Cable	Connector Impedance (Ohms)	Frequency (GHz)	Dielectric Withstanding Voltage (Vrms)	Working Voltage (Vrms)
SMB Mini 75 Ohm	RG-179	75	2	1000 Vrms	335 Vrms
	RG-179 DS	75	2	1000 Vrms	335 Vrms
	BELDEN 735A	75	2	1000 Vrms	335 Vrms



Johnson Components' cable length applies to the end of straight connectors. The length is applied to the vertical centroid of right angle connectors.

The last three digits of the part number reflect the length of the cable in inches.