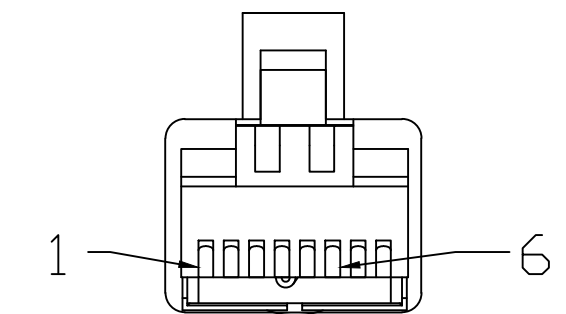
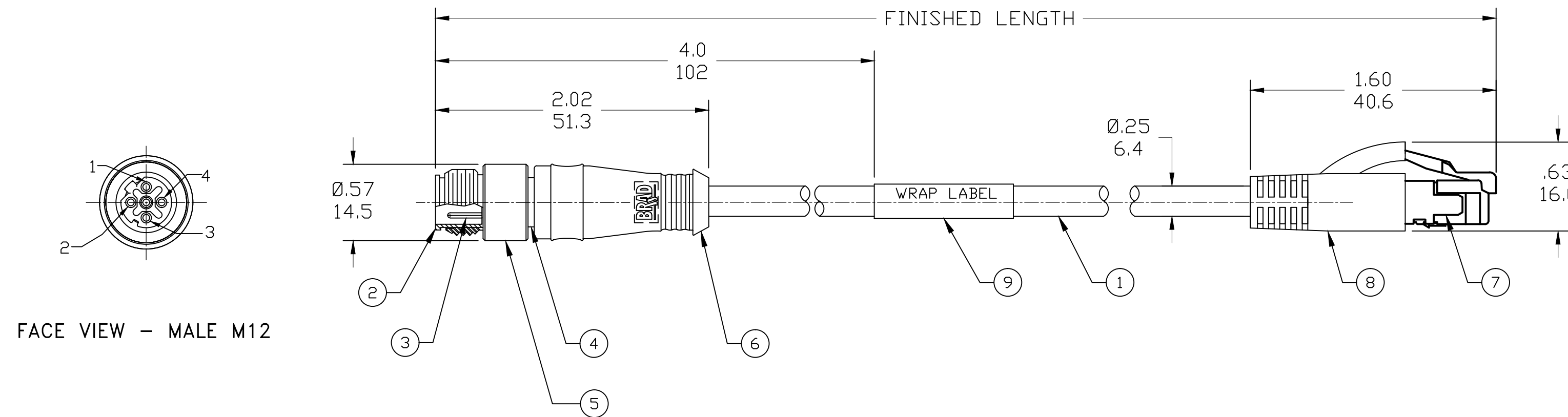


PART NO.	ENGINEERING NO.	FINISHED LENGTH
1201080404	E16A06005M050	5.0M [16'5"]
1201080405	E16A06005M100	10.0M [32'10"]
1201080406	E16A06005M150	15.0M [49'2"]

CABLE LENGTH TOLERANCES

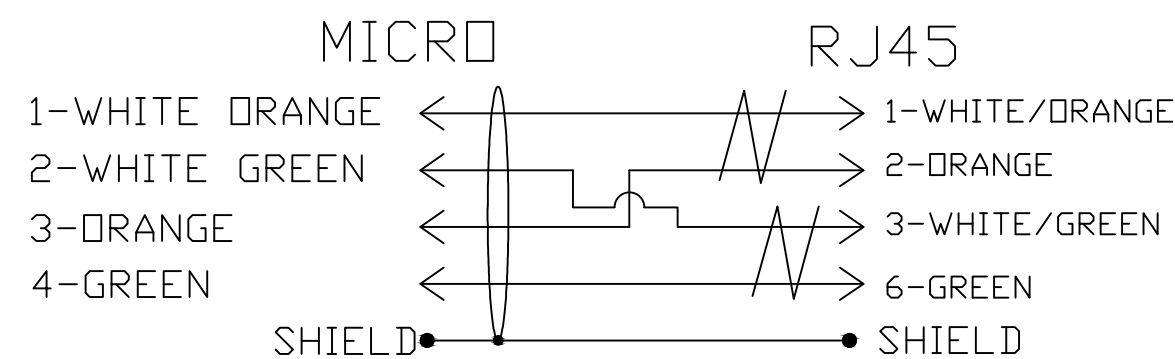
>.3M [1FT]: +19mm-0 [+1.75in-0]
 .3 - .9M [1 - 3FT]: +44.5mm-0 [+1.75in-0]
 .9 - 1.8M [3 - 6FT]: +55.6mm-0 [+2.19in-0]
 1.8 - 3.7M [6 - 12FT]: +88.9mm-0 [+3.50in-0]
 3.7 - 7.3M [12 - 24FT]: +165.1mm-0 [+6.50in-0]
 7.3-14.6M [24 - 48FT]: +317.5mm-0 [+12.50in-0]
 14.6 - 30.5M [48-100FT]: +622.3mm-0 [+24.50in-0]
 OVER 30M [100FT] +2% OF FINISHED LENGTH



FACE VIEW - MALE RJ45
SCALE: 2X

FACE VIEW - MALE M12

- NOTES:**
- MATERIAL: AS NOTED
 - FINISH: AS NOTED
 - ELECTRICAL:
VOLTAGE: 125V
CURRENT: 1.5A
 - TEMP RATING: -20° TO +75°C
 - PROTECTION: IP67 (WHEN MATED)
 - COUPLING THREAD: M12 X 1
 - UL CERTIFIED FILE: E200650
 - ALL DIMS ARE FOR REFERENCE UNLESS NOTED OTHERWISE



WIRE DIAGRAM

PART NUMBER LEGEND

E16A06005MXXX

FINISHED LENGTH:
M006= 0.6 METER
M010= 1 METER
M100= 10 METER

ITEM	DESCRIPTION	MATERIAL	FINISH
9	WRAP LABEL	VINYL	BLACK/YELLOW
8	RJ-45 BOOT	PVC	BLACK
7	RJ-45 PLUG	POLYCARBONATE	CLEAR
6	OVERMOLD	PBT	GRAY
5	COUPLING NUT	BRASS	NICKEL PLATED
4	SHIELD HOUSING	BRASS	NICKEL PLATED
3	CONTACT PIN	COPPER ALLOY	GOLD PLATED
2	MALE INSERT, D-CODE	PUR	BLACK
1	CABLE, 2 PAIR, 26AWG, SHLD	TPE JACKET	TEAL

REVISED PER LATEST STD EC NO: IPG2019-0171 DRWN: RSTONE 10/10/18 CHKD: C CHRAST 2018/10/21 APPR: BWOODMAN2015/04/03	QUALITY SYMBOL ▽=0 ◻=0	GENERAL TOLERANCES (UNLESS SPECIFIED)		DIMENSION STYLE IN/MM		SCALE	DESIGN UNITS	THIRD ANGLE PROJECTION	
		4 PLACES	±---	±---	DRAWN BY	DATE	NTS		INCH
		3 PLACES	±---	±---	GGUSTAFS	2015/03/24			
		2 PLACES	±---	±---	CHECKED BY	DATE	TITLE		
1 PLACE	±---	±---	BARDEN	2015/05/29	M12 TO RJ45 CORDSET 4P MALE M12/RJ45 ST #26/4 TEAL TPE				
ANGULAR ±---°				APPROVED BY			MOLEX INCORPORATED		
DRAFT WHERE APPLICABLE MUST REMAIN WITHIN DIMENSIONS				BWOODMAN 2015/04/03			DOCUMENT NO. SD-120108-078		
MATERIAL NO. SEE P/N CHART				SIZE C		SHEET NO. 1 OF 1			
THIS DRAWING CONTAINS INFORMATION THAT IS PROPRIETARY TO MOLEX INCORPORATED AND SHOULD NOT BE USED WITHOUT WRITTEN PERMISSION									