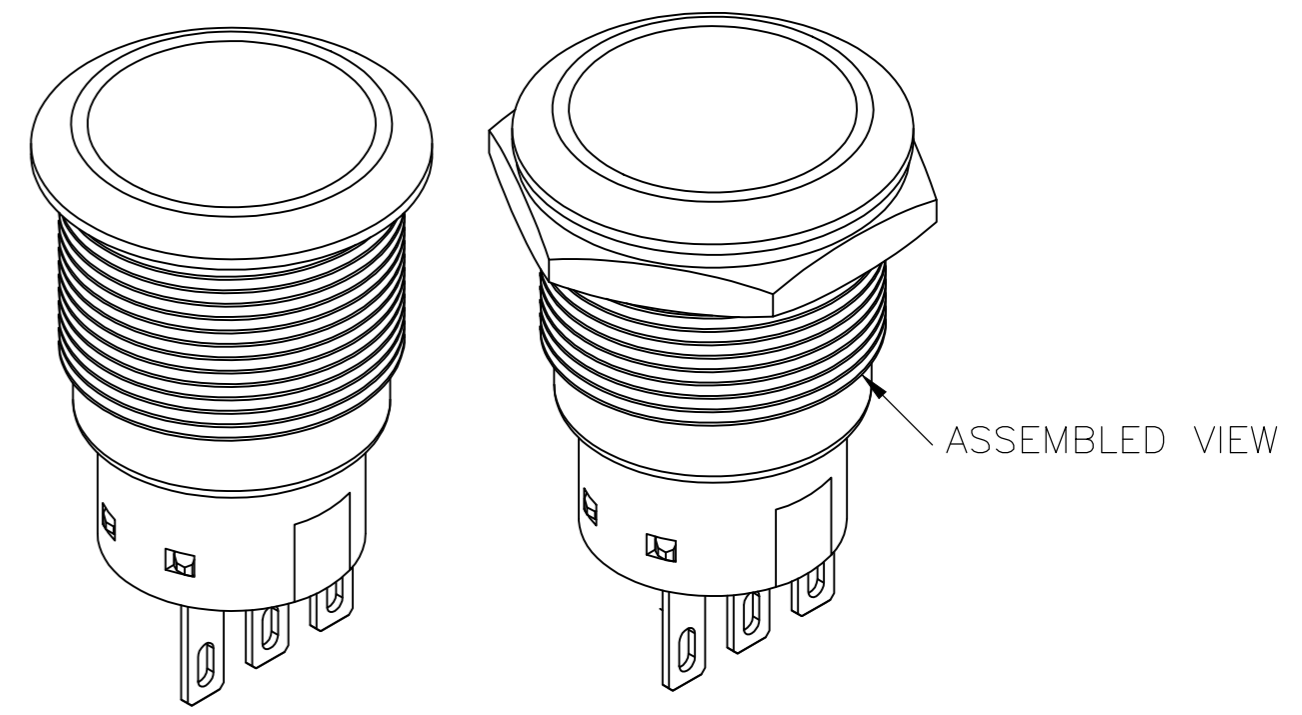
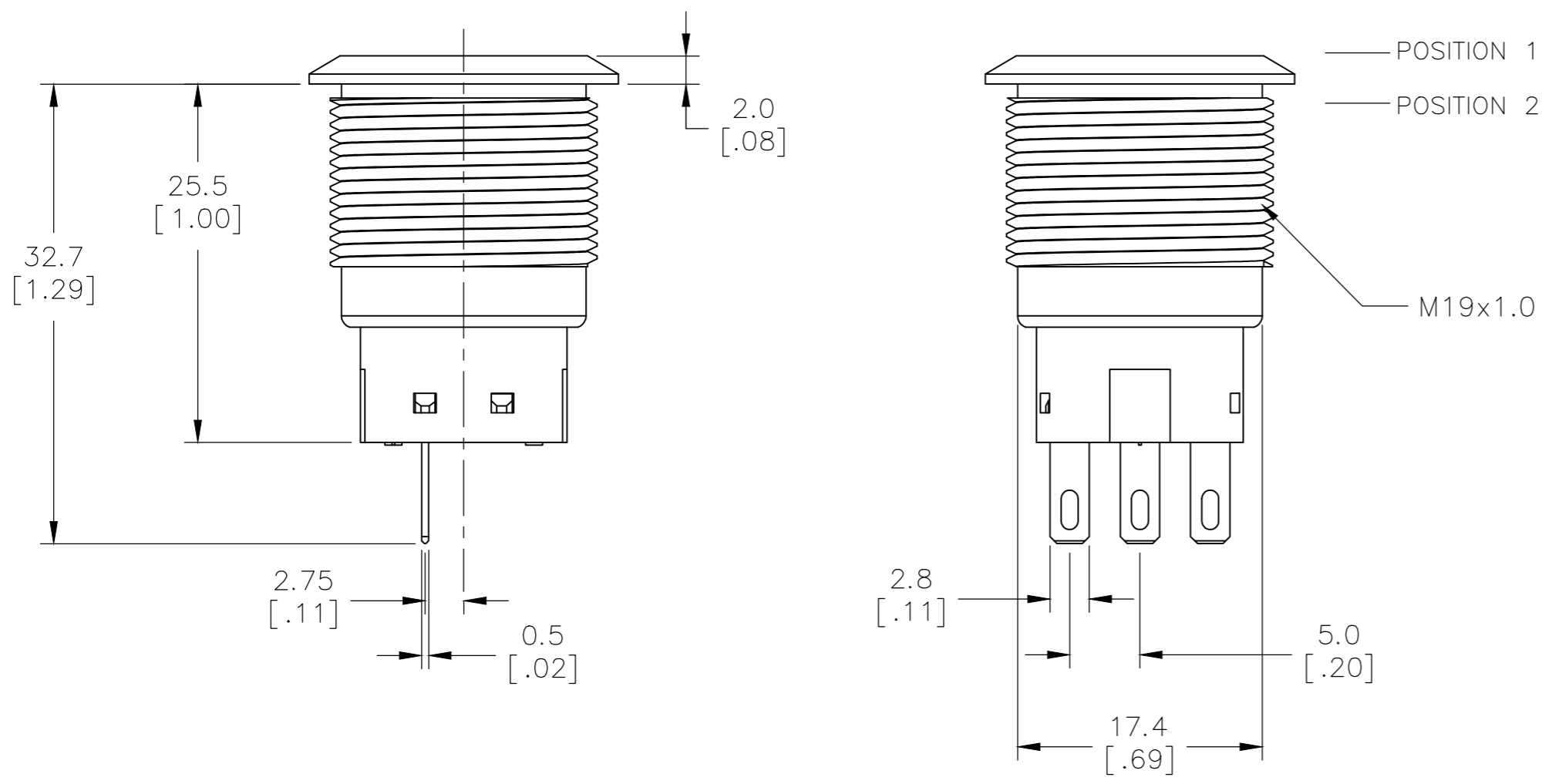
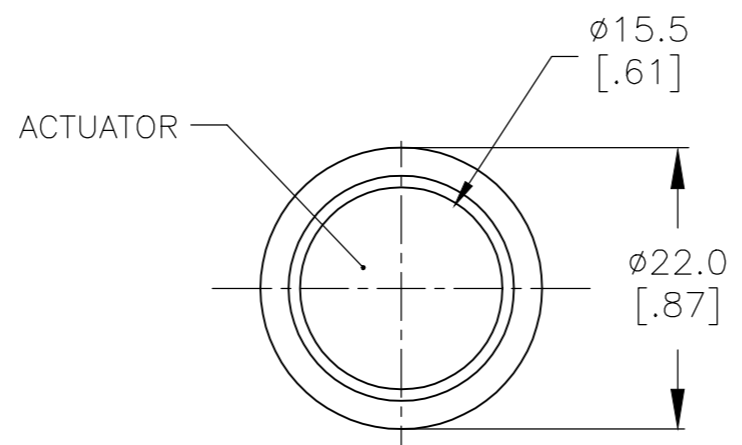
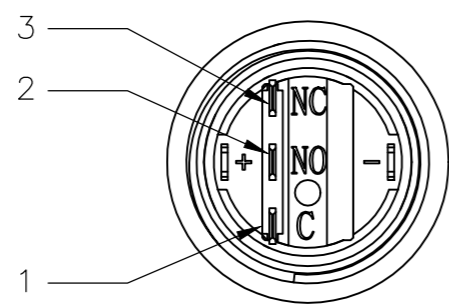
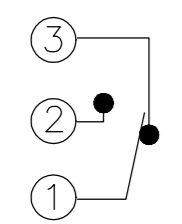


THIS DRAWING IS UNPUBLISHED. RELEASED FOR PUBLICATION
 © COPYRIGHT - By - ALL RIGHTS RESERVED.

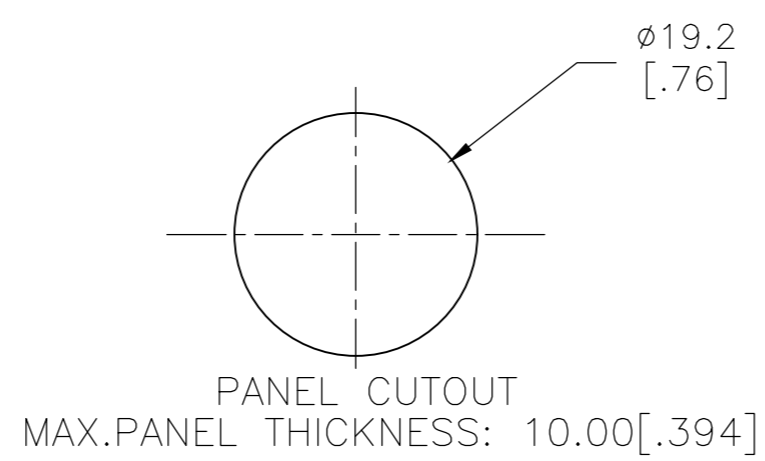
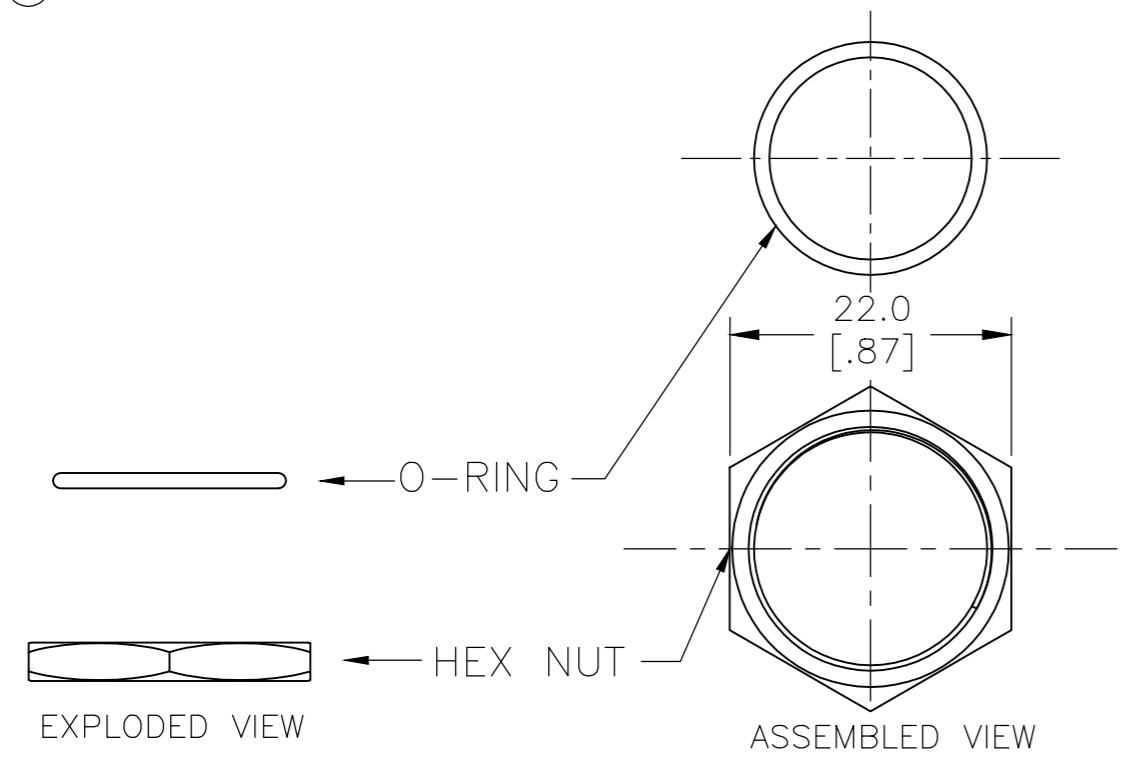
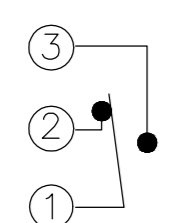
REVISIONS					
P	LTR	DESCRIPTION	DATE	DWN	APVD
B2		REVISED PER ECR-19-017758	13DEC2019	SB	PO



POSITION 1



POSITION 2



SPECIFICATIONS

CONTACT RATING: SILVER: 3A @ 250 VAC RESISTIVE
 GOLD: 0.4VA @ 20VDC OR PEAK AC
 INSULATION RESISTANCE: 1,000MΩ MIN AT 500VDC
 DIELECTRIC STRENGTH: 2,000V RMS @ SEA LEVEL
 CONTACT RESISTANCE: 50 mΩ MAX @ 1A 12VDC (INITIAL VALUE)
 ELECTRICAL LIFECYCLES: 50,000 MAKE AND BREAK CYCLES AT FULL LOAD

ACTUATION FORCE: SP: 2.5±1 NEWTON, DP: 3.5±1 NEWTON
 ACTUATION TRAVEL: 3.2mm
 SEALED PER IP67, IK10 (STAINLESS)
 OPERATING TEMPERATURE: -20°C TO +55°C
 MECHANICAL LIFECYCLES: MOMENTARY: 1,000,000 CYCLES
 LOCKING: 500,000 CYCLES
 HARDWARE TORQUE: 5-14 N-m

MATERIALS

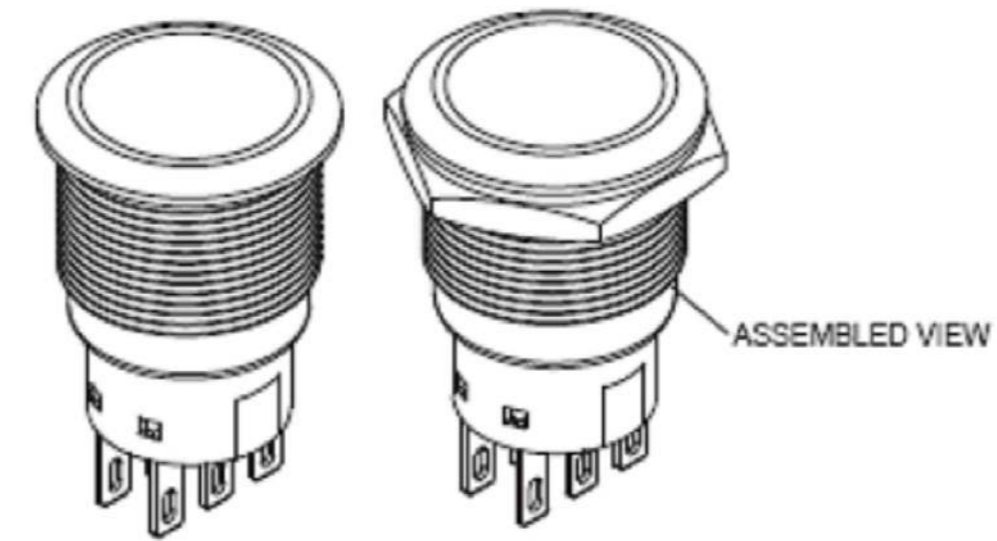
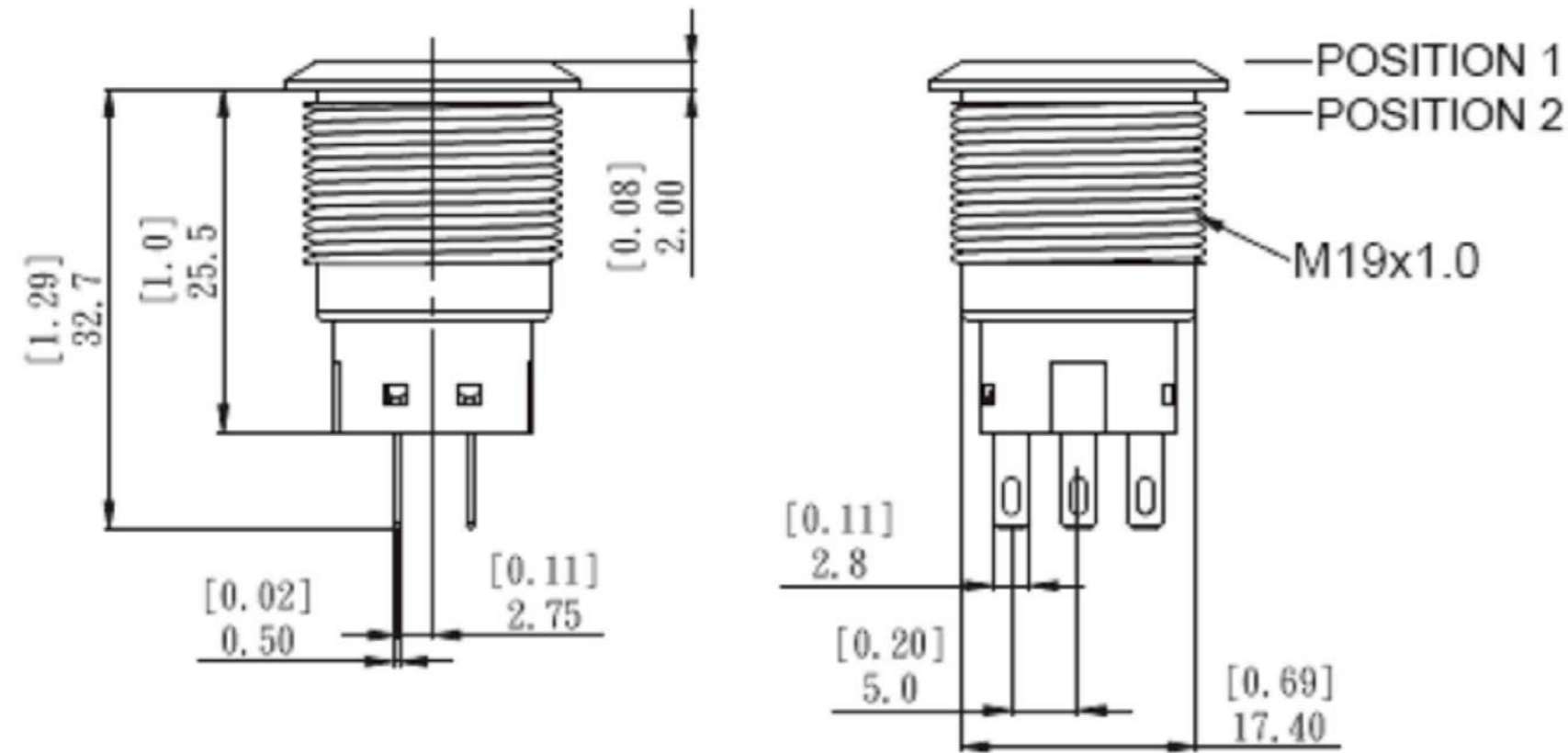
BUSHING: STAINLESS STEEL
 BASE: PBT (UL 94-V0), PC (UL 94-V2)
 ACTUATOR: STAINLESS STEEL, PC
 SEALING: O-RING (SILICONE)
 TERMINAL/CONTACT: COPPER BASE, SILVER/GOLD PLATED
 HEX NUT: BRASS BASE, NICKEL PLATED

1 ALL MATERIAL AND FINISHES SHALL COMPLY WITH EU DIRECTIVE 2002/95/EC OF 27JAN2003 (ROHS)

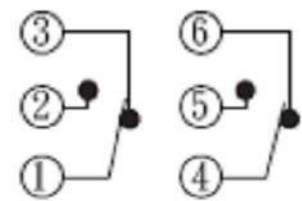
THIS DRAWING IS A CONTROLLED DOCUMENT.		DWN NAGALAKSHMI K 05FEB2016		
DIMENSIONS: mm [INCHES]		CHK HILL RYAN 05FEB2016		
TOLERANCES UNLESS OTHERWISE SPECIFIED:		APVD HILL RYAN 05FEB2016	NAME -	
0 PLC ± -		PRODUCT SPEC	ANTI-VANDAL SWITCH 19mm NO LED	
1 PLC ± 0.016 In		APPLICATION SPEC	SIZE A2	CAGE CODE 00779
2 PLC ± 0.01 In			DRAWING NO C=2213763	RESTRICTED TO -
3 PLC ± -			SCALE 8:1	SHEET 1 of 3
4 PLC ± -			REV B2	
ANGLES ± 2°				
FINISH		WEIGHT -	CUSTOMER DRAWING	

THIS DRAWING IS UNPUBLISHED. RELEASED FOR PUBLICATION
 © COPYRIGHT - By - ALL RIGHTS RESERVED.

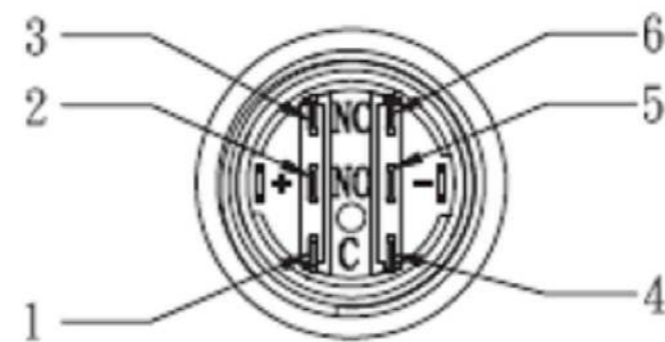
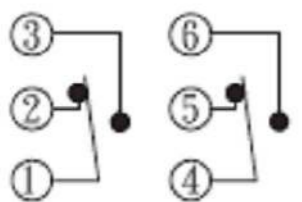
REVISIONS				
P	LTR	DESCRIPTION	DATE	APVD
-	-	SEE SHEET 1	-	-



POSITION 1



POSITION 2




THIS DRAWING IS A CONTROLLED DOCUMENT.		DWN NAGALAKSHMI K 06FEB2016																				
DIMENSIONS: mm [INCHES]		CHK HILL RYAN 06FEB2016																				
TOLERANCES UNLESS OTHERWISE SPECIFIED:		APVD HILL RYAN 06FEB2016	NAME -																			
<table border="0"> <tr><td>0 PLC</td><td>±</td><td>-</td></tr> <tr><td>1 PLC</td><td>±</td><td>0.016 In</td></tr> <tr><td>2 PLC</td><td>±</td><td>0.01 In</td></tr> <tr><td>3 PLC</td><td>±</td><td>-</td></tr> <tr><td>4 PLC</td><td>±</td><td>-</td></tr> <tr><td>ANGLES</td><td>±</td><td>2°</td></tr> </table>		0 PLC	±	-	1 PLC	±	0.016 In	2 PLC	±	0.01 In	3 PLC	±	-	4 PLC	±	-	ANGLES	±	2°	PRODUCT SPEC -	ANTI-VANDAL SWITCH 19mm NO LED	
0 PLC	±	-																				
1 PLC	±	0.016 In																				
2 PLC	±	0.01 In																				
3 PLC	±	-																				
4 PLC	±	-																				
ANGLES	±	2°																				
MATERIAL -		FINISH -	WEIGHT -	SIZE A2																		
		CUSTOMER DRAWING		RESTRICTED TO -																		
		SCALE NTS		SHEET 2 of 3																		
		DRAWING NO. C=2213763		REV B2																		

THIS DRAWING IS UNPUBLISHED. RELEASED FOR PUBLICATION
 © COPYRIGHT - SEE SHEET 1 ALL RIGHTS RESERVED.

REVISIONS					
P	LTR	DESCRIPTION	DATE	DWN	APVD
-	-	SEE SHEET 1	-	-	-

DOUBLE POLE -LOCKING	GOLD	-	-	AV1921000R04	2213763-8
	SILVER	-	-	AV1921000Q04	2213763-7
DOUBLE POLE- MOMENTARY	GOLD	-	-	AV1920000R04	2213763-6
	SILVER	-	-	AV1920000Q04	2213763-5
SINGLE POLE- LOCKING	GOLD	-	-	AV1911000R04	2213763-4
	SILVER	-	-	AV1911000Q04	2213763-3
SINGLE POLE- MOMENTARY	GOLD	-	-	AV1910000R04	2213763-2
	SILVER	-	-	AV1910000Q04	2213763-1
POLE/THROW	CONTACT	LED COLOUR	LED VOLTAGE	TE DESCRIPTIVE PN	TE PART NUMBER

THIS DRAWING IS A CONTROLLED DOCUMENT.		DWN 06FEB2016 NAGALAKSHMI K	 TE Connectivity		
DIMENSIONS: mm [INCHES]		CHK 06FEB2016 HILL RYAN			
TOLERANCES UNLESS OTHERWISE SPECIFIED:		APVD 06FEB2016 HILL RYAN	NAME		
0 PLC ± - 1 PLC ± - 2 PLC ± - 3 PLC ± - 4 PLC ± - ANGLES ± -		PRODUCT SPEC	ANTI-VANDAL SWITCH 19mm NO LED		
MATERIAL		FINISH	WEIGHT	SIZE A2	CAGE CODE 00779
				DRAWING NO C=2213763	RESTRICTED TO
CUSTOMER DRAWING			SCALE NTS	SHEET 3 of 3	REV B2