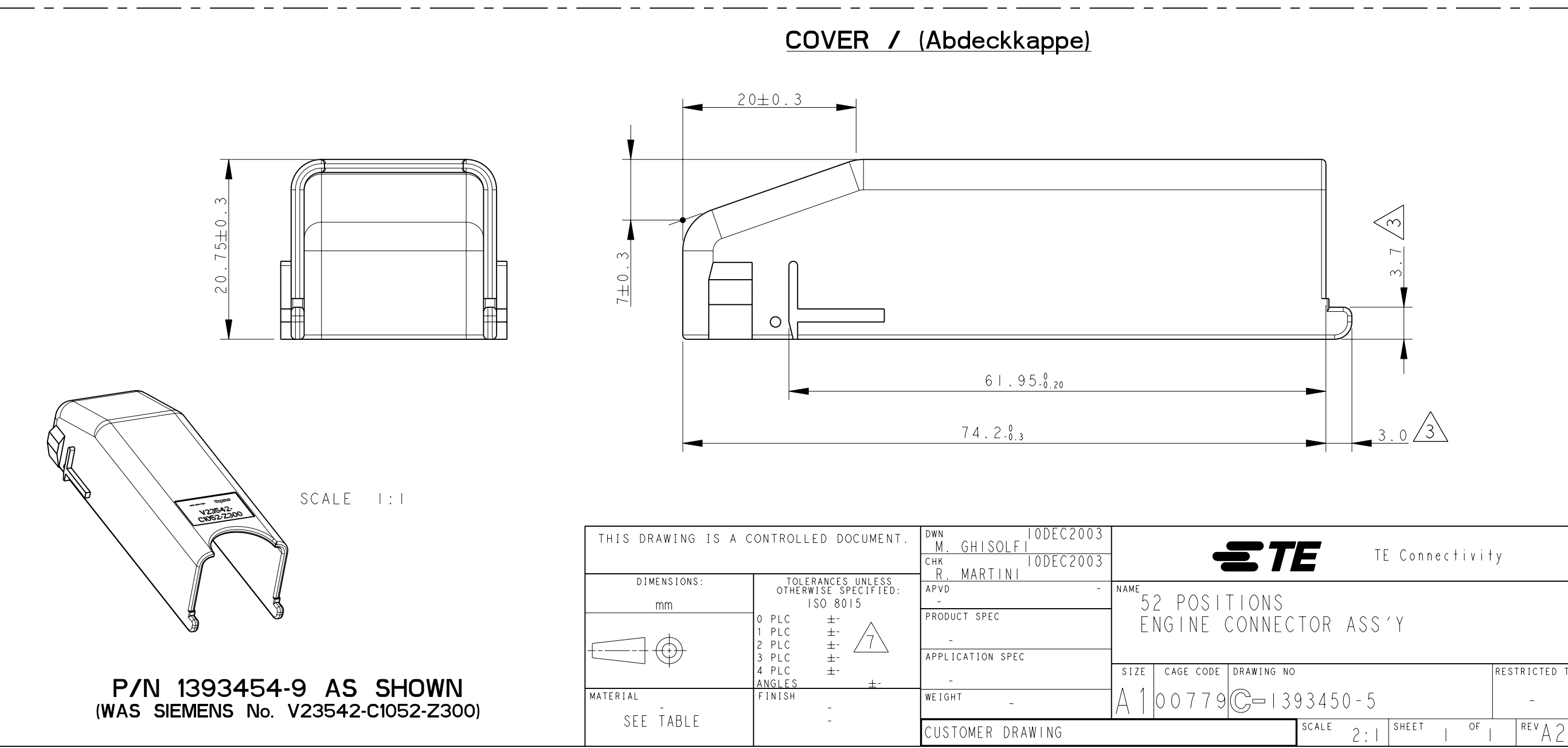
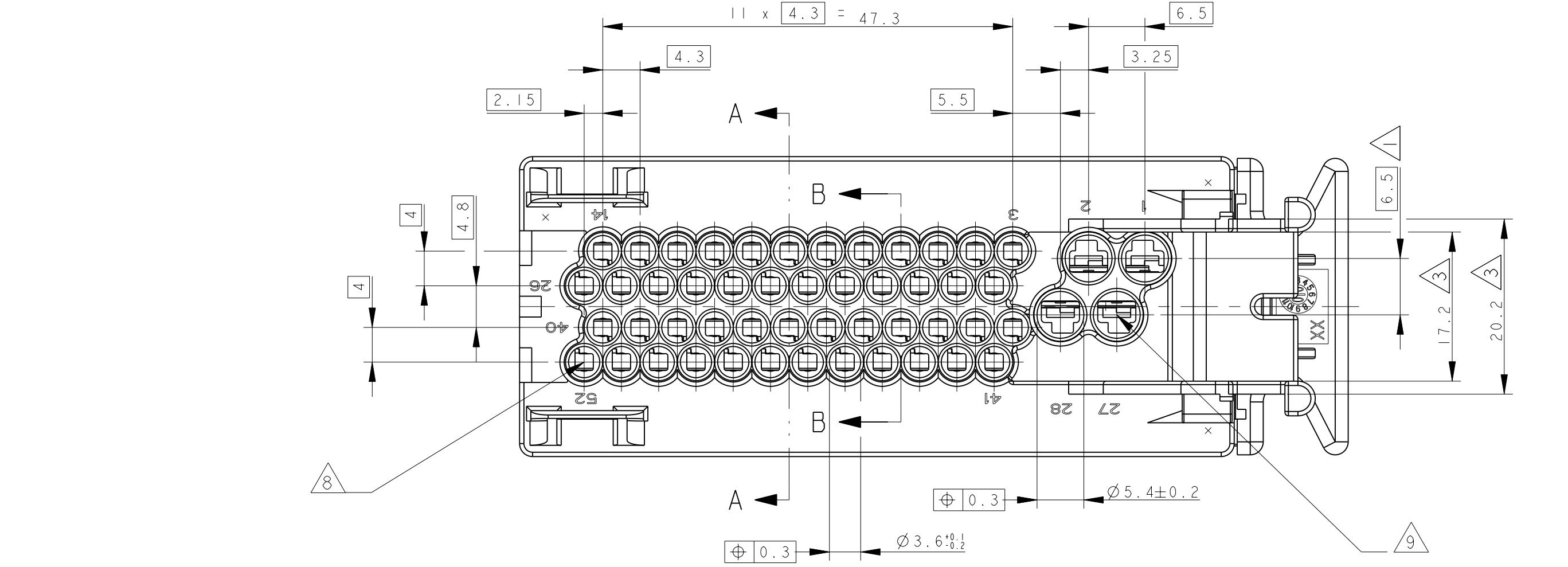


TE CONNECTIVITY P/N	REV.	DESCRIPTION	WEIGHT [g]
1393450-5	A	SOCKET CONNECTOR WITHOUT COVER	52.2
1393454-9	A	COVER	9.3

MATERIAL LIST / (Materialliste)				
ITEM	QTY	DESCRIPTION (Bezeichnung)	MATERIAL (Material)	COLOR (Farbe)
1	1	SOCKET HOUSING / (Grundkörper)	PBT-GF(30±3)%	BLACK / (Schwarz)
2	1	RADIAL SEAL / (Radialdichtung)	VMO	GREEN / (Grün)
3	1	COVER / (Abdeckkappe)	PBT-GF(20±2)%	BLACK / (Schwarz)
4	1	SECONDARY LOCK (I) / (Kontaktsicherung)	PBT-GF(20±2)%	NATURAL / (Natur)
5	1	SLIDE / (Kulissenutschieber)	PBT-GF(30±3)%	BLACK / (Schwarz)
6	1	SECONDARY LOCK (II) / (Kontaktsicherung)	PBT-GF(20±2)%	NATURAL / (Natur)



THIS DRAWING IS A CONTROLLED DOCUMENT.

DIMENSIONS:		TOLERANCES UNLESS OTHERWISE SPECIFIED:	
mm	9 PLC ±	ISO 8015	7
	1 PLC ±		
	2 PLC ±		
	3 PLC ±		
	4 PLC ±		
	ANGLES ±		
MATERIAL	FINISH		
SEE TABLE			

LOC	DIST	REVISIONS					
		P	LTH	DESCRIPTION	DATE	DWN	APVD
		A1		REVISED PER ECO-11-005033	29APR2011	RK	HMR
		A2		REVISED PER ECR-11-017659	13SEP2011	M.G.	M.G.

DWN: M. GHISOLE
 CHK: R. MARTINI
 APVD: TODEC2003

NAME: 52 POSITIONS ENGINE CONNECTOR ASS'Y

PRODUCT SPEC: -
 APPLICATION SPEC: -

WEIGHT: -
 CUSTOMER DRAWING: -

SCALE: 2:1 SHEET 1 OF 1 REV A2

RESTRICTED TO: -

SIZE: A100779 C=1393450-5

4805 (3/11) ENGINEER DRAWING