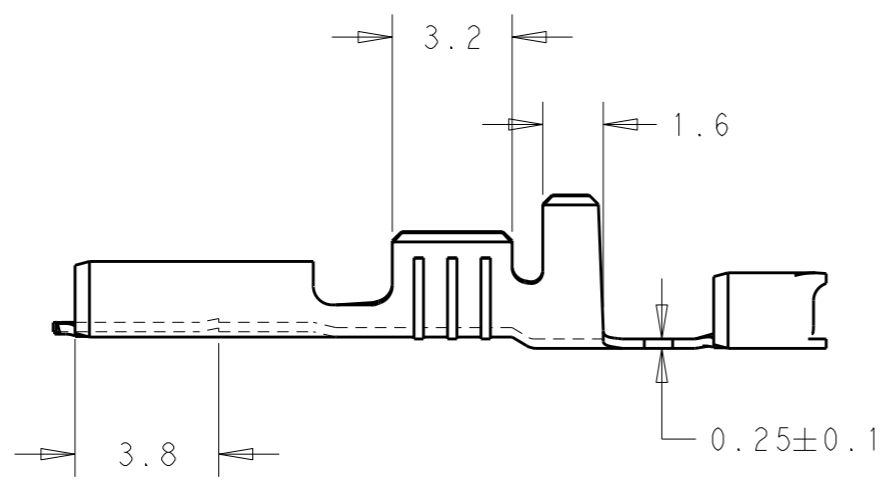
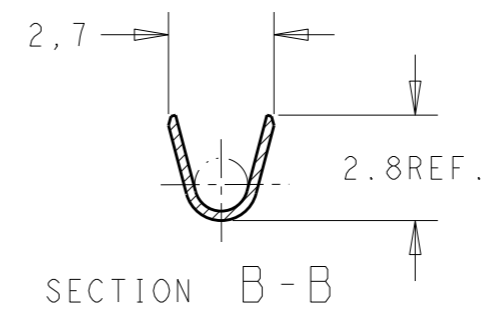
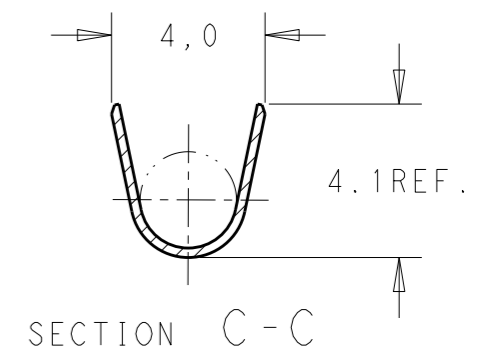
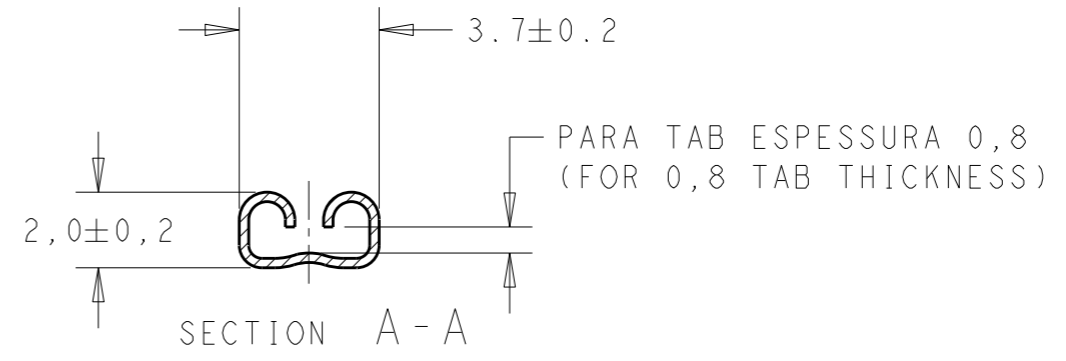
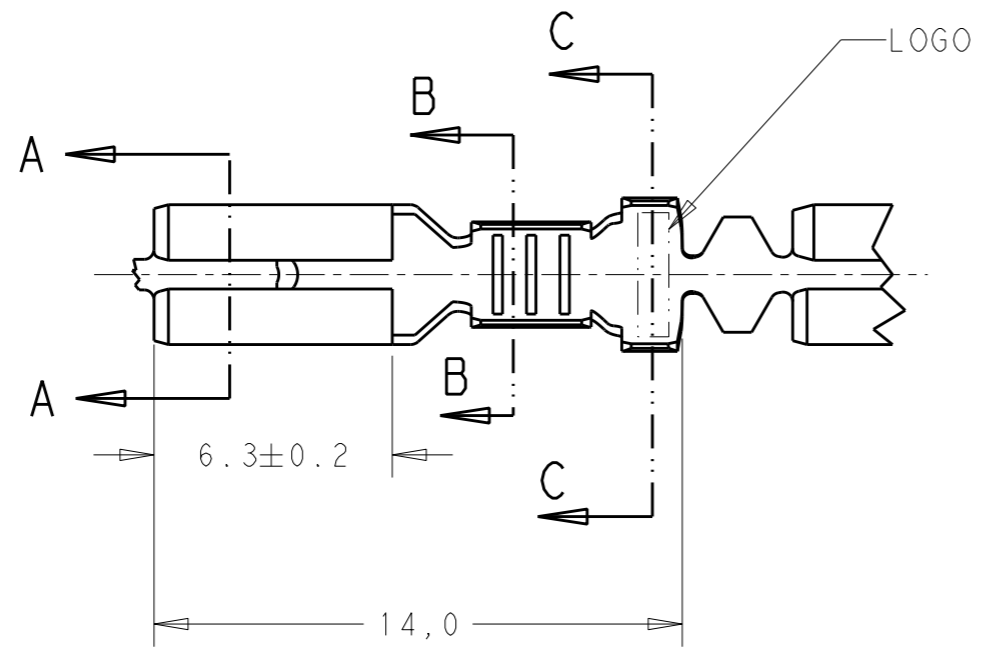


THIS DRAWING IS UNPUBLISHED. RELEASED FOR PUBLICATION 2012  
 © COPYRIGHT 2012 ALL RIGHTS RESERVED.

LOC	DIST	REVISIONS				
P	LTR	DESCRIPTION	DATE	DWN	APVD	
AP	-					
	R2	REV. BY ECO-12-013683	26JUL2012	HC	WLS	



626060-2	ESTANHADO/TIN-PLATED	LATÃO/BRASS	626041-2
626060-1	-	LATÃO/BRASS	626041-1
LOOSE PIECE	FINISH	MATERIAL	PART NUMBER

INS. RANGE: 2,03-3,04mm<sup>2</sup>  
 WIRE RANGE: 0,5-1,5 mm<sup>2</sup>

THIS DRAWING IS A CONTROLLED DOCUMENT.		DWN H.C.CANTERI 24JUL2012	TE Connectivity	
		CHK W.L.STEFANI 26JUL2012		
DIMENSIONS: mm 		TOLERANCES UNLESS OTHERWISE SPECIFIED: 0 PLC ±- 1 PLC ±0,3 2 PLC ±- 3 PLC ±- 4 PLC ±- ANGLES ±-		NAME .110 SERIES FASTON RECEPTACLE
MATERIAL -		FINISH -		PRODUCT SPEC 108-37014 APPLICATION SPEC 114-2036 WEIGHT -
		SIZE A3		CAGE CODE 00779
		DRAWING NO C-626041		RESTRICTED TO
CUSTOMER DRAWING		SCALE 5:1	SHEET 1	OF 1
				REV R2