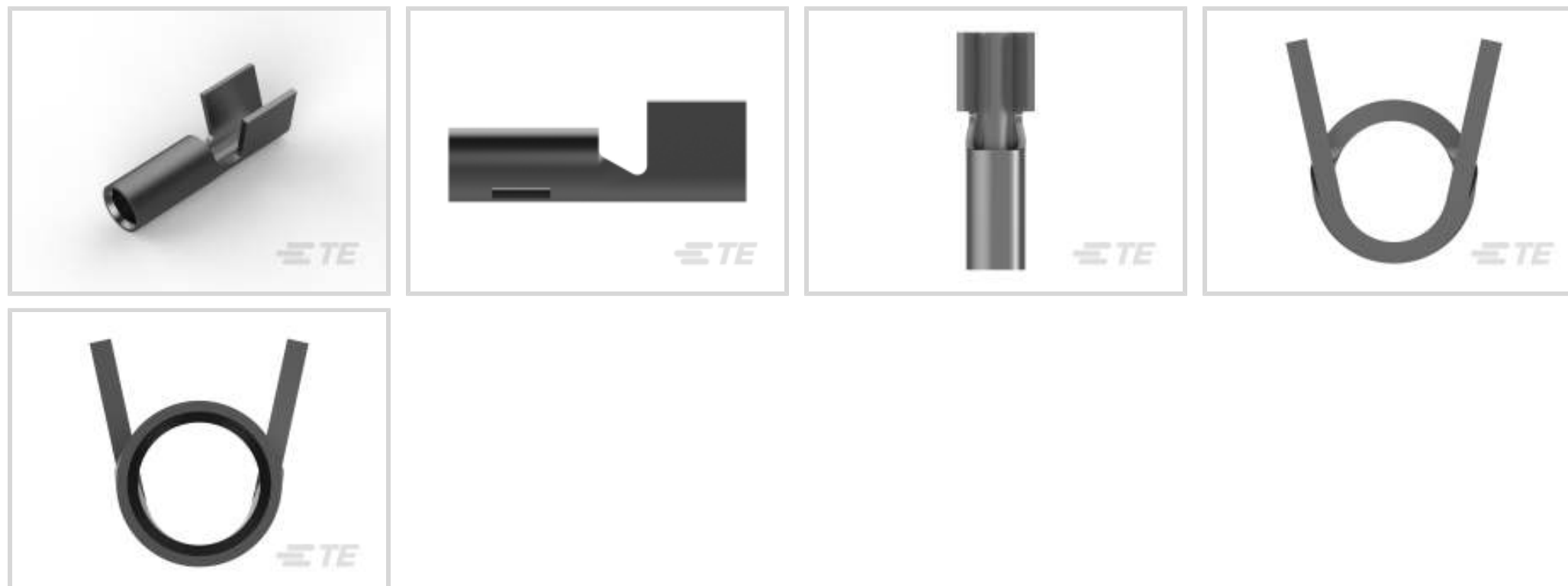




Terminals & Splices > PCB Terminals



PCB Terminal Type: **Receptacle**

Mating Pin Diameter: **1.47 mm [.058 in]**

Wire Size: **.3 – 1 mm²**

Termination Method to Printed Circuit Board: **Through Hole - Solder**

Features

Product Type Features

Terminal Features	Stud Hole
-------------------	-----------

Contact Features

Contact Mating Area Plating Material Thickness	2.03 – 5.08 μm[80 – 200 μin]
PCB Terminal Type	Receptacle
Mating Pin Diameter	1.47 mm[.058 in]
Terminal Plating Material	Tin
Contact Underplating Material	Copper
Terminal Size	Miniature
Terminal Orientation	Straight

Termination Features

Termination Method to Printed Circuit Board	Through Hole - Solder
Product Terminates To	Wire & Cable

Mechanical Attachment

Wire Insulation Support	Without
-------------------------	---------

Dimensions

--	--

Terminal Material Thickness	.25 mm[.01 in]
Wire Size	.3 – 1 mm ²

Usage Conditions

Insulation Option	Uninsulated
Operating Temperature Range	-55 – 105 °C[-67 – 221 °F]

Packaging Features

Packaging Quantity	12500
Packaging Method	Reel

Other

Terminals & Splices Comment	Machine applied applicator required.
-----------------------------	--------------------------------------

Product Compliance

[For compliance documentation, visit the product page on TE.com>](#)

EU RoHS Directive 2011/65/EU	Compliant
EU ELV Directive 2000/53/EC	Compliant
China RoHS 2 Directive MIIT Order No 32, 2016	No Restricted Materials Above Threshold
EU REACH Regulation (EC) No. 1907/2006	Current ECHA Candidate List: JUNE 2023 (235) Candidate List Declared Against: JAN 2023 (233) Does not contain REACH SVHC
Halogen Content	Low Halogen - Br, Cl, F, I < 900 ppm per homogenous material. Also BFR/CFR/PVC Free
Solder Process Capability	Not applicable for solder process capability

Product Compliance Disclaimer

This information is provided based on reasonable inquiry of our suppliers and represents our current actual knowledge based on the information they provided. This information is subject to change. The part numbers that TE has identified as EU RoHS compliant have a maximum concentration of 0.1% by weight in homogenous materials for lead, hexavalent chromium, mercury, PBB, PBDE, DBP, BBP, DEHP, DIBP, and 0.01% for cadmium, or qualify for an exemption to these limits as defined in the Annexes of Directive 2011/65/EU (RoHS2). Finished electrical and electronic equipment products will be CE marked as required by Directive 2011/65/EU. Components may not be CE marked. Additionally, the part numbers that TE has identified as EU ELV compliant have a maximum concentration of 0.1% by weight in homogenous materials for lead, hexavalent chromium, and mercury, and 0.01% for cadmium, or qualify for an exemption to these limits as defined in the Annexes of Directive 2000/53/EC (ELV). Regarding the REACH Regulation, the information TE provides on SVHC in articles for this part number is based on the latest European Chemicals Agency (ECHA) 'Guidance on requirements for substances in articles' posted at this URL: <https://echa.europa.eu/guidance-documents/guidance-on-reach>

Compatible Parts



TE Part # 2-2836431-1
OCEAN_2.0_Applicator-S-070F



TE Part # 2-2836431-2
OCEAN_2.0_Applicator-S-070F



TE Part # 2063857-1
CCII .058 DIA REC CONT 24-18 ASSY



TE Part # 2836431-1
OCEAN_2.0_Applicator-S-070F



TE Part # 2836431-2
OCEAN_2.0_Applicator-S-070F



TE Part # 7-2836431-1
OCEAN_2.0_Applicator-S-070F



TE Part # 7-2836431-2
OCEAN_2.0_Applicator-S-070F



TE Part # 7-2836431-7
OCEAN_2.0_SPARE_PART_KIT-070F

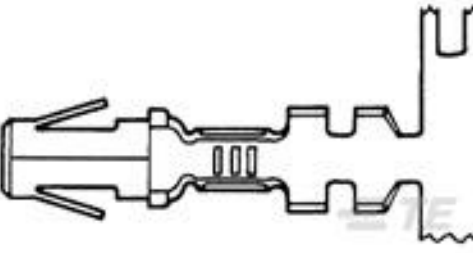


TE Part # 61323-2
058 R/A PIN REC 24-20 TPBECU

Customers Also Bought



TE Part #770421-1
01P UMNL CAP HSG NATL



TE Part #350200-1
.140 DIA SOK 14-10 PTPBR



TE Part #42891-2
SHUR PLUG 180 RECEPTACLE 14-10 AWG TPBR



TE Part #350561-2
UMNL PIN 24-18 .0126 AU/BR



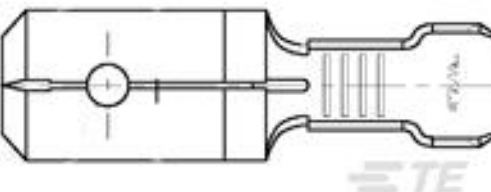
TE Part #63674-1
250 FASTON REC 18-14 AWG NPST



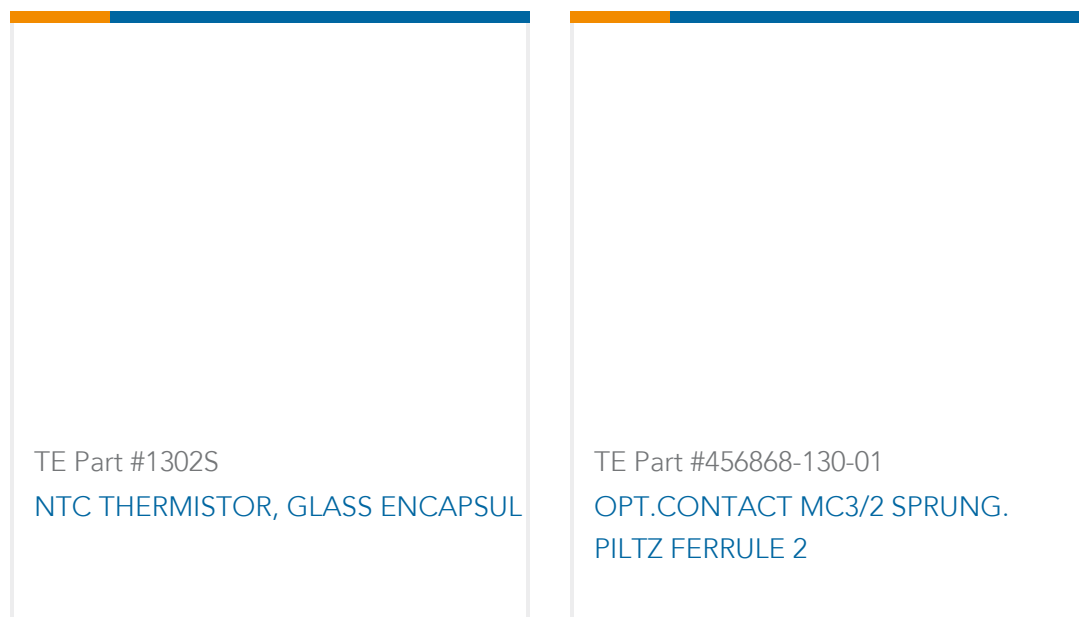
TE Part #770355-1
06P .062 COMM P&S PLUG



TE Part #61018-1
.058 PCB PIN PTPPHBZ



TE Part #42474-4
250 FASTON TAB 18-14 AWG TPBR



Documents

Product Drawings

058 PIN REC IS 18-22 010TPBECU

English

CAD Files

Customer View Model

[ENG_CVM_640259-1_E.3d_igs.zip](#)

English

Customer View Model

[ENG_CVM_640259-1_E.3d_stp.zip](#)

English

Customer View Model

[ENG_CVM_640259-1_E.2d_dxf.zip](#)

English

3D PDF

English

3D PDF

3D

Customer View Model

[ENG_CVM_CVM_640259-1_L.2d_dxf.zip](#)

English

Customer View Model

[ENG_CVM_CVM_640259-1_L.3d_igs.zip](#)

English

Customer View Model

[ENG_CVM_CVM_640259-1_L.3d_stp.zip](#)

English

By downloading the CAD file I accept and agree to the [Terms and Conditions](#) of use.

Datasheets & Catalog Pages

PRINTED CIRCUIT BOARD TERMINALS AND DISCONNECTS

English

Product Specifications

[Application Specification](#)

English



Product Environmental Compliance

Product Compliance

English

Product Compliance

English

Instruction Sheets

Instruction Sheet (U.S.)

Japanese

Instruction Sheet (U.S.)

English

Insertion/Extraction Tool

English