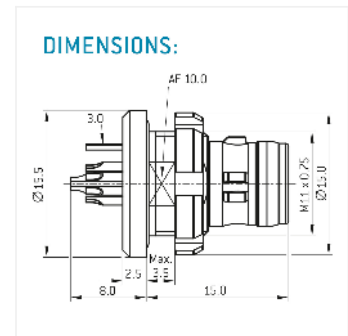
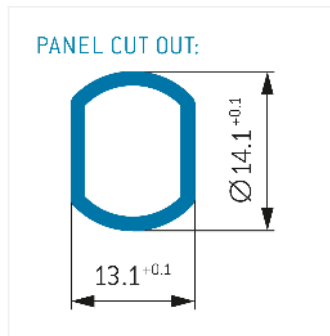
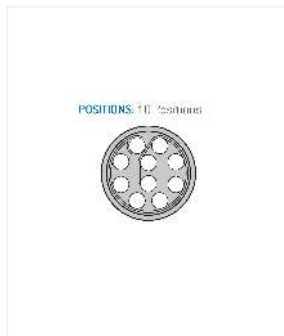
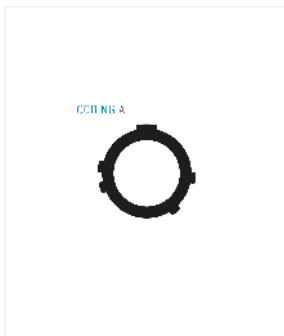


GW1YAR-P10UD00-ROOL
easy_clean, type_gw



General information

Part number	GW1YAR-P10UD00-ROOL
Termination	pcb
Size	1
Locking principle	break , push
Coding	a_key_amc
Cable Diameter	cable_amc_1



Contact insert description

Number of contacts	10
Contact type	flat_contact
Contact diameter	06mm
Insulator material	peek
Termination	pcb
Termination diameter	05mm

reverse_gender_on_request

Technical information

Nominal current single contact	02_a	iec_60512_5_2
Nominal current insert	1,1 A	vde_0298_4
Test voltage	06_kv_ac	eia_364_20f

safety_text

Mechanical and environmental data

Degree of protection*	ipsk8_ip6k9k
Operating temperature	51_125_c
Mating cycles	5000

mated

Material and surface treatments

Housing	ruthenium
Contact	cu_alloy_gold

safety_text_2
ul_text
illustrative_text