

4

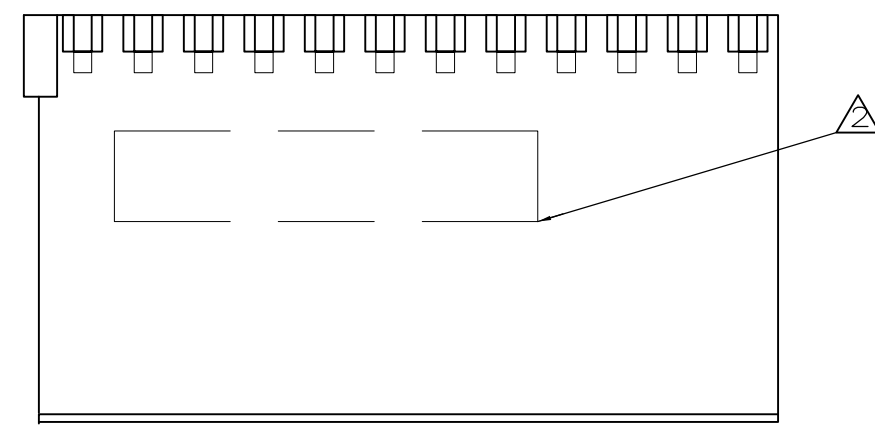
3

2

1

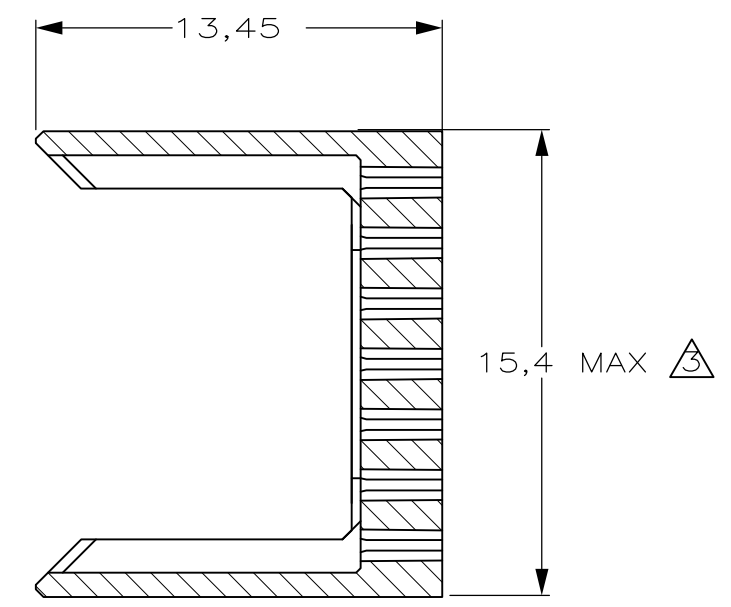
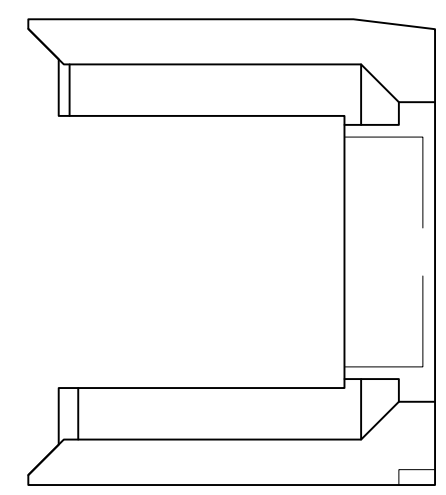
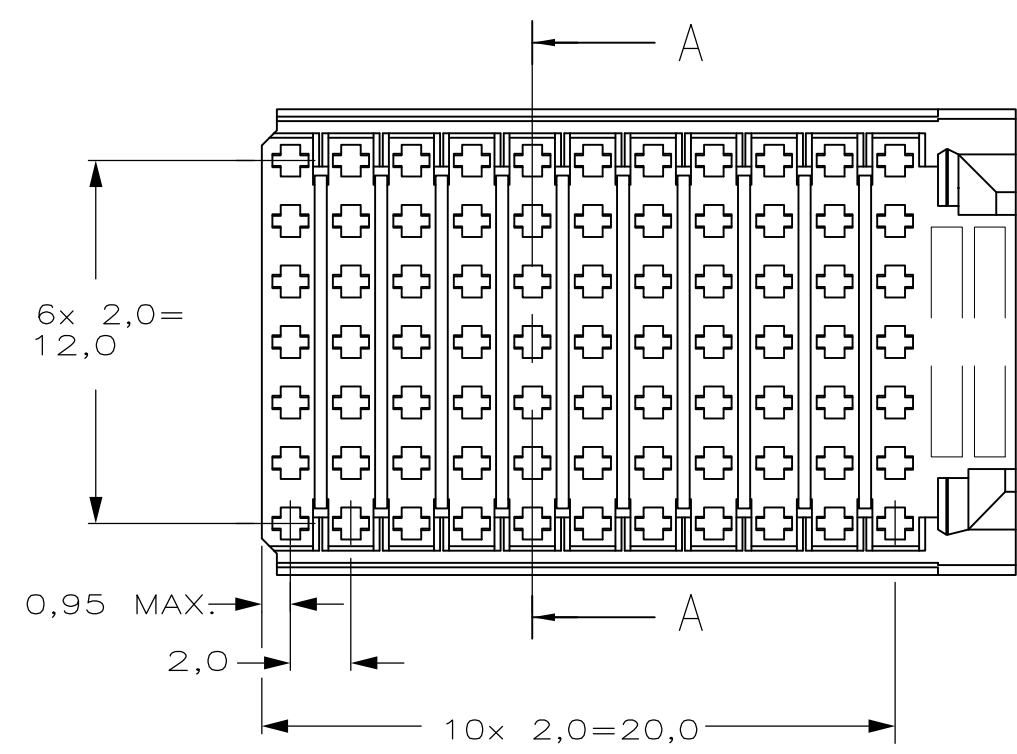
THIS DRAWING IS UNPUBLISHED. RELEASED FOR PUBLICATION
 © COPYRIGHT - By - ALL RIGHTS RESERVED.

LOC	DIST	REVISIONS					
		P	LTR	DESCRIPTION	DATE	DWN	APVD
-	GW		E	PER ECR-14-009843	040714	FL	FY



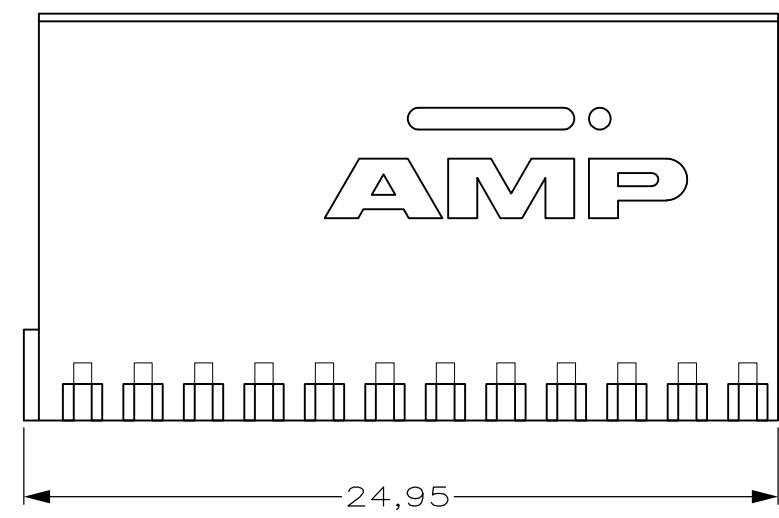
NOTES:

- 1 MATERIAL HOUSING: GLASSFILLED POLYESTER.
- 2 HOUSING PRINTED WITH PARTNUMBER AND DATE CODE. (OTHER MARKING OPTIONAL)
- 3 TO BE MEASURED AT BOTTOM OF SHROUD



SECTION A-A

106182-2 AS SHOWN



THIS DRAWING IS A CONTROLLED DOCUMENT.		DWN D. TRUREN 20NOV01	TE Connectivity			
DIMENSIONS: mm		CHK F.v.KONINGSBRUGGE 21-JUN-96				
TOLERANCES UNLESS OTHERWISE SPECIFIED:		APVD B. MOOIJ	NAME			
0 PLC ± - 1 PLC ± - 2 PLC ± - 3 PLC ± - 4 PLC ± - ANGLES ± -		PRODUCT SPEC 108-19082	Z-PACK 2mm HM 55 POS. SHROUD TYPE C			
MATERIAL		APPLICATION SPEC 114-19029	SIZE	CAGE CODE	DRAWING NO	RESTRICTED TO
FINISH		WEIGHT	A3	00779	C-106182	-
CUSTOMER DRAWING			SCALE	SHEET	REV	
			-	1 OF 1	E	