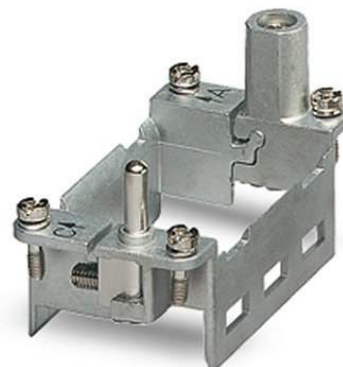



HC-M-MHR-A3-N

Order No.: 1679294



<http://eshop.phoenixcontact.de/phoenix/treeViewClick.do?UID=1679294>

HEAVYCON hinged retaining frame, for HC-B 10 supporting base element, for 3 modules, labeling with lower case letters (a, b, c, etc.)

Commercial data	
GTIN (EAN)	
sales group	D041
Pack	2 pcs.
Customs tariff	85369010
Catalog page information	Page 464 (PC-2009)

Product notes

WEEE/RoHS-compliant since:
06/13/2006



<http://www.download.phoenixcontact.com>
Please note that the data given here has been taken from the online catalog. For comprehensive information and data, please refer to the user documentation. The General Terms and Conditions of Use apply to Internet downloads.

Technical data

Electrical characteristics	
Note	Hinged retaining frame
Ambient temperature (operation)	-40 °C ... 125 °C
Mechanical characteristics	
Conductor cross-section	4 mm ² ... 6 mm ² (for PE conductor – power side)

	1 mm ² ... 2.5 mm ² (for PE conductor – control side)
Connection cross-section AWG	12 ... 10 (for PE conductor – power side)
	18 ... 14 (for PE conductor – control side)
Insertion/withdrawal cycles	≥ 500

General characteristics

Design	B10
Number of module slots	3
Assembly instructions	HC-MHR-PE16 (1636981) for PE connection extension to 16 mm ² .

Material data

Contact carrier material	Die-cast zinc alloy
--------------------------	---------------------

Certificates / Approvals



Certification

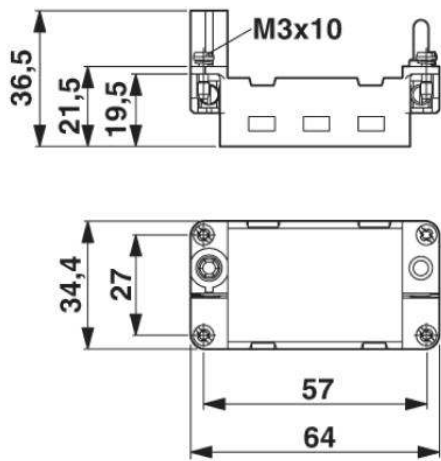
GOST

Accessories

Item	Designation	Description
General		
1585155	HC-M-MHR-FIX	Fixing wedge to fix the hinged retaining frame (20 wedges on the block)
Plug/Adapter		
1636981	HC-M-MHR-PE16	Cable lug for HEAVYCON-MODULAR; PE connection extension to 16 mm ² , for crimping with crimp pliers

Diagrams/Drawings

Dimensioned drawing



Address

PHOENIX CONTACT Deutschland GmbH
Flachmarktstr. 8
32825 Blomberg, Germany
Phone +49 5235 3 12000
Fax +49 5235 3 41200
<http://www.phoenixcontact.de>



© 2010 Phoenix Contact
Technical modifications reserved;