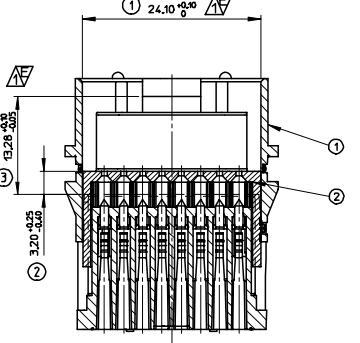
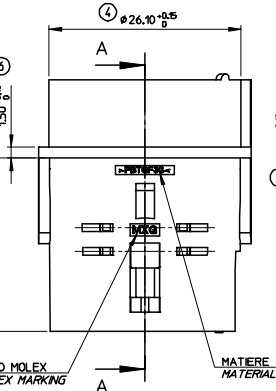
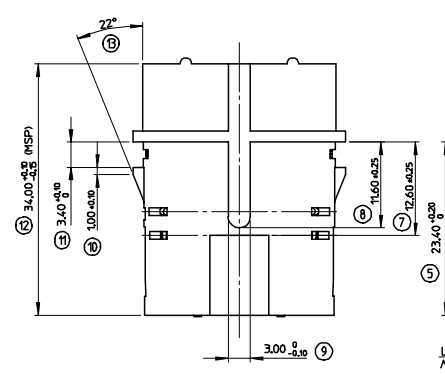
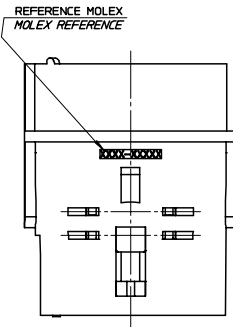


2	1	DOUBLE VERROUILLAGE SECONDARY LOCKING	JAUNE YELLOW	PBT 30%GF
1	1	PORTE LANGUETTES MALE MODULE	GRIS GREY	PBT 30%GF
REP POS	Qty	DESIGNATION DESIGNATION	COULEUR COLOR	MATIERE MATERIAL

NOMENCLATURE PARTS LIST		
LANGUETTES MALE TERMINALS	98588-0014	7 703 497 801
DESIGNATION DESIGNATION	REFERENCE MOLEX MOLEX PART N°	REFERENCE RSA RSA PART N°
PRODUITS ASSOCIES ASSOCIATED PARTS		

MISE EN OEUVRE / SPECIFICATION FILE	
CAMIER DE PRECONISATIONS N° :	CP-98284-0020
APPLICATION SPECIFICATION N° :	



△	HERARCHISATION DES CARACTERISTIQUES NORME 0133301	△
CLASSIFICATION OF REQUIREMENTS STANDARD 01-33-301		
PARTIELLE PARTIAL	TOTALE TOTAL	

E	LIAISONS ELECTRIQUES NORME 01-58-904
ELECTRICAL CONNECTIONS TO STANDARD 01-58-904	
INDEX REVISION LEVEL	EN LIAISON AVEC NORME AFFECTED BY STANDARDS
	SANS LIAISON AVEC NORME NOT AFFECTED BY STANDARDS
NOM NAME	DATE DATE
	SERVICE DEPARTMENT

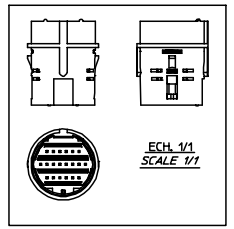
D3	04/09/23	TRANSFERT DE MICRO-STATION A ONEPAGE DESIGNER TRANSFER FROM MICRO-STATION TO ONEPAGE DESIGNER
D2	99/12/01	MISE A JOUR DES MARQUAGES UPDATE MARKINGS
D1	99/09/29	MISE A JOUR DES MARQUAGES UPDATE MARKINGS
D	99/09/15	MISE A JOUR POUR MOULE 4 CAVITES UPDATE FOR 4 CAVITIES MOLD
C	99/05/26	MISE A JOUR DES MARQUAGES AJOUTE HERARCHISATION ET COTE MSP UPDATE MARKINGS ADD HIERARCHICAL AND SPEC DIMENSIONS
B	99/03/17	MISE A JOUR DES MARQUAGES AJOUTE SPEC. CONDITIONNEMENT UPDATE MARKINGS - ADD SPEC PACKAGING
A	98/11/02	PREMIERE DIFFUSION CLIENT FIRST RELEASE FOR CUSTOMER
Incl	Date	Revision

MISE EN OEUVRE / 28 6 6 note	
PORTE LANGUETTES 20 VOIES MALE MODULE 20 WAYS	
CL.	0.010/kg
300	65660
7 703 597 100	1/1
BREVETÉ EN FRANCE / PAT. N°	
RENAULT	

CONFORME AU PLAN
D'EMPREINTE 7 710 001 164 .
CONFORMITY WITH CAVITY
DRAWING 7 710 001 164 .

SPECIFICATION MOLEX DE
CONDITIONNEMENT N° . PP-98284-0210
PACKAGING MOLEX
SPECIFICATION N° . PP-98284-0210

CONFORME AU C.D.C. -R.S.A. 36 05 019 REV. E
ET NOTE TECHNIQUE N° 8578/1998/60606
CONFORMITY WITH SPEC. -R.S.A. 36 05 019 REV. E
AND TECHNICAL NOTE N° 8578/1998/60606



EC NO: G2004-0349 DRW:MRVIERE 2004/04/07 CHKD:MANDRE 2004/04/07 APPR:STICKEI 2004/04/13	REVISION D3	DESCRIPTION	GENERAL TOLERANCES (UNLESS SPECIFIED)		SCALE 3:1	DESIGN UNITS METRIC	FIRST ANGLE PROJECTION	REVISE ON CAD ONLY
			mm	INCH	DIMENSION STYLE MM ONLY			
			4 PLACES	± --- + ---	DRAWN BY M.A.	DATE 98/10/15		
			3 PLACES	± --- + ---	CHECKED BY M.A.	DATE 99/12/20		
			2 PLACES	± --- + ---	APPROVED BY F.P.	DATE 99/12/20	TITLE PORTE LANGUETTES ASSEMBLE CONNECT. RETRO. ASSY M.M. MIRROR CONNECT	
			1 PLACE	± --- + ---	MATERIAL NO. 98284-0210		DOCUMENT NO. SD-98284-008	SHEET NO. 1 OF 1
DRAFT WHERE APPLICABLE MUST REMAIN WITHIN DIMENSIONS			ANGULAR ±1/2°		THIS DRAWING CONTAINS INFORMATION THAT IS PROPRIETARY TO MOLEX INCORPORATED AND SHOULD NOT BE USED WITHOUT WRITTEN PERMISSION			