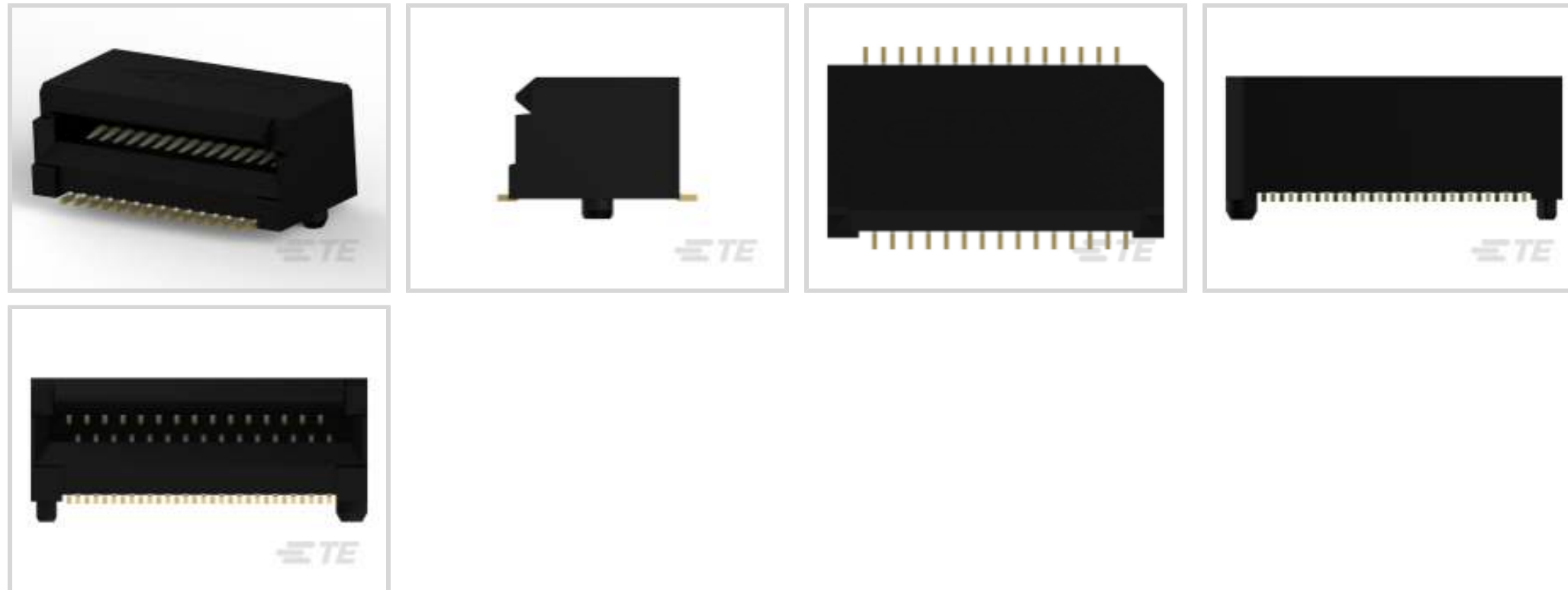




Connectors > Pluggable IO Connectors & Cages > XFP > XFP Connectors



Pluggable I/O Product Type: **Connector**

PCB Mounting Style: **Double-Sided (Belly-to-Belly)**

Data Rate (Max): **10 Gb/s**

Connector System: **Cable-to-Board**

Number of Positions: **30**

[All XFP Connectors \(2\)](#)

Features

Product Type Features

Form Factor	XFP
Connector & Housing Type	Receptacle
Pluggable I/O Product Type	Connector
Connector System	Cable-to-Board
Connector & Contact Terminates To	Printed Circuit Board

Configuration Features

Number of Positions	30
---------------------	----

Electrical Characteristics

Data Rate (Max)	10 Gb/s
-----------------	---------

Contact Features

Contact Mating Area Plating Material Thickness	.76 μm [29.92 μin]
Contact Mating Area Plating Material	Gold



Contact Base Material	Phosphor Bronze
-----------------------	-----------------

Contact Current Rating (Max)	.5 A
------------------------------	------

Termination Features

Termination Method to Printed Circuit Board	Surface Mount
---	---------------

Mechanical Attachment

PCB Mounting Style	Double-Sided (Belly-to-Belly)
--------------------	-------------------------------

Connector Mounting Type	Board Mount
-------------------------	-------------

Housing Features

Housing Material	LCP (Liquid Crystal Polymer)
------------------	------------------------------

Housing Color	Black
---------------	-------

Centerline (Pitch)	.03 mm[.8 in]
--------------------	---------------

Usage Conditions

Operating Temperature Range	-55 – 85 °C[-67 – 185 °F]
-----------------------------	---------------------------

Operation/Application

Circuit Application	Signal
---------------------	--------

Industry Standards

UL Flammability Rating	UL 94V-0
------------------------	----------

Packaging Features

Packaging Method	Tape
------------------	------

Product Compliance

[For compliance documentation, visit the product page on TE.com>](#)

EU RoHS Directive 2011/65/EU	Compliant
------------------------------	-----------

EU ELV Directive 2000/53/EC	Compliant
-----------------------------	-----------

China RoHS 2 Directive MIIT Order No 32, 2016	No Restricted Materials Above Threshold
---	---

EU REACH Regulation (EC) No. 1907/2006	Current ECHA Candidate List: JUNE 2023 (235) Candidate List Declared Against: JUNE 2023 (235) Does not contain REACH SVHC
--	---

Halogen Content	Low Halogen - Br, Cl, F, I < 900 ppm per homogenous material. Also BFR/CFR/PVC Free
-----------------	---

Solder Process Capability	Reflow solder capable to 260°C
---------------------------	--------------------------------

Product Compliance Disclaimer

This information is provided based on reasonable inquiry of our suppliers and represents our current actual knowledge based on the information they provided. This information is subject to change. The part numbers that TE has identified as EU RoHS compliant have a maximum concentration of 0.1% by weight in homogenous materials for lead, hexavalent chromium, mercury, PBB, PBDE, DBP, BBP, DEHP, DIBP, and 0.01% for cadmium, or qualify for an exemption to these limits as defined in the Annexes of Directive 2011/65/EU (RoHS2). Finished electrical and electronic equipment products will be CE marked as required by Directive 2011/65/EU. Components may not be CE marked. Additionally, the part numbers that TE has identified as EU ELV compliant have a maximum concentration of 0.1% by weight in homogenous materials for lead, hexavalent chromium, and mercury, and 0.01% for cadmium, or qualify for an exemption to these limits as defined in the Annexes of Directive 2000/53/EC (ELV). Regarding the REACH Regulation, the information TE provides on SVHC in articles for this part number is based on the latest European Chemicals Agency (ECHA) 'Guidance on requirements for substances in articles' posted at this URL: <https://echa.europa.eu/guidance-documents/guidance-on-reach>

Compatible Parts



TE Part # CAT-X29-C1171XN
XFP Cage Assemblies and Kits

Also in the Series | XFP



Heat Sinks(4)



XFP(31)

Customers Also Bought



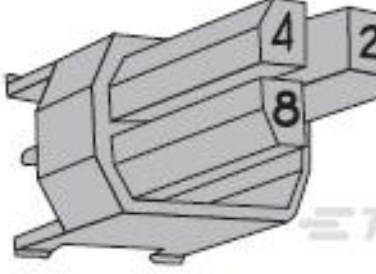
TE Part #2065657-1
zd Plus, 4 pair, receptacle assy



TE Part #5223955-2
TE UPM Ver Receptacle 3P STD Power



TE Part #2227303-2
CAGE ASSEMBLY, SFP, .071 TAIL



TE Part #100525-9
Z-PACK M.CODING KEY



TE Part #2110819-1
QSFP+ Enh EVERCLEAR PT Conn



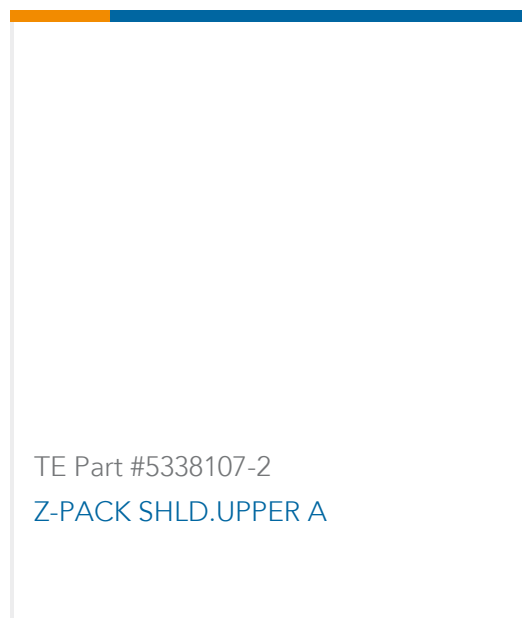
TE Part #2-34852-1
TERMINAL,PG R 12-10 6



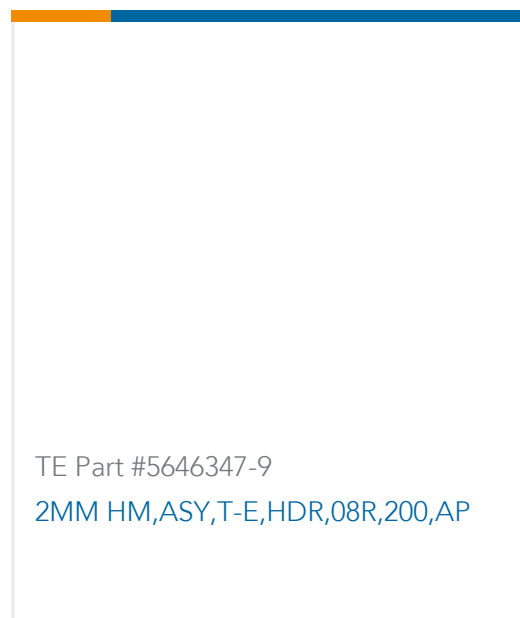
TE Part #2057626-1
CFP External Bracket Assy



TE Part #5745925-2
25 RCPT ACT PIN/MS MED INSRT



TE Part #5338107-2
Z-PACK SHLD.UPPER A



TE Part #5646347-9
2MM HM,ASY,T-E,HDR,08R,200,AP

Documents

Product Drawings

PT30 XFP CONNECTOR

English

CAD Files

Customer View Model

[ENG_CVM_CVM_788862-2_E.2d_dxf.zip](#)

English

3D PDF

3D

Customer View Model

[ENG_CVM_CVM_788862-2_E.3d_igs.zip](#)

English

Customer View Model

[ENG_CVM_CVM_788862-2_E.3d_stp.zip](#)

English

By downloading the CAD file I accept and agree to the [Terms and Conditions](#) of use.

Datasheets & Catalog Pages

[1773408-1 Pluggable Input/Output Solutions catalog - XFP section](#)

English

Product Specifications

Application Specification

English

Application Specification

English



Product Environmental Compliance

[MD_788862-2_052120181214_dmtec](#)

English

[MD_788862-2_052120181214_dmtec](#)

English

Instruction Sheets

[Instruction Sheet \(U.S.\)](#)

English

[Instruction Sheet \(U.S.\)](#)

English