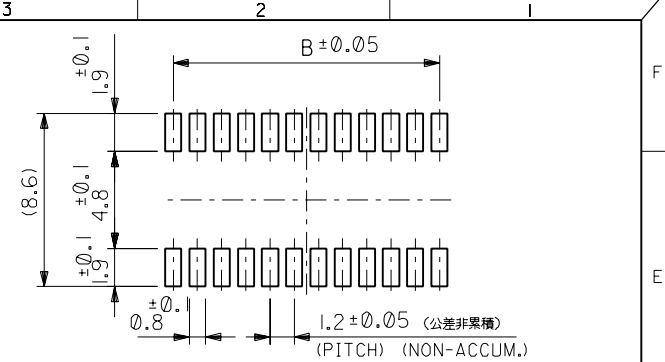
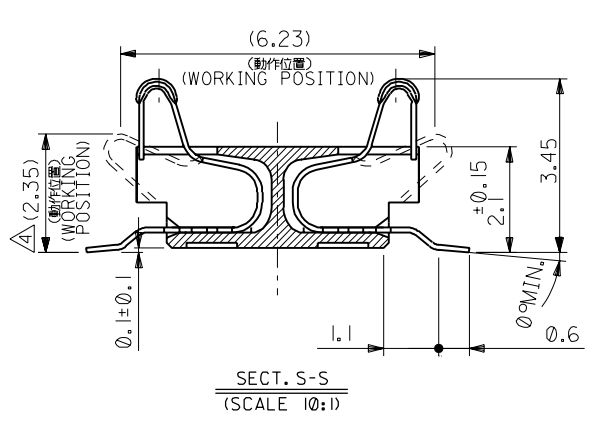
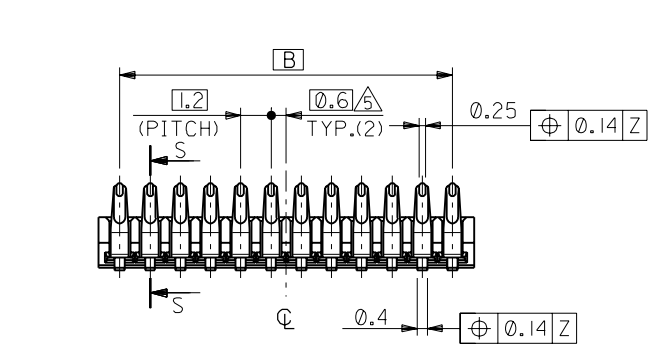
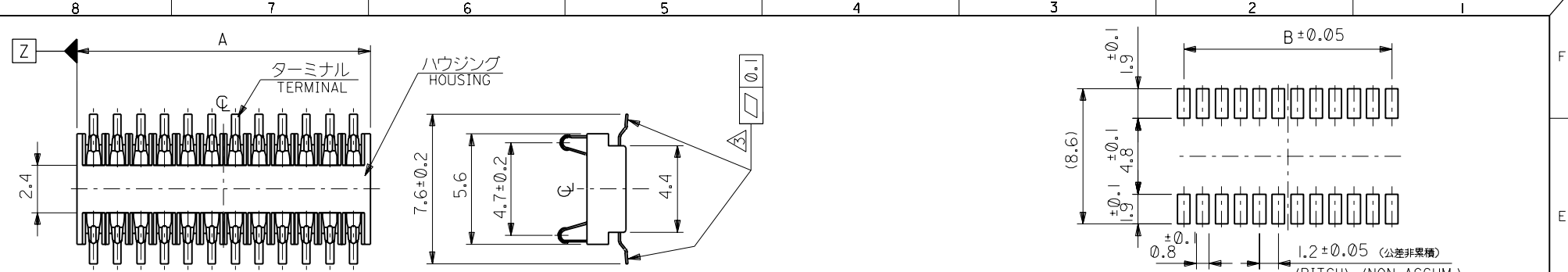
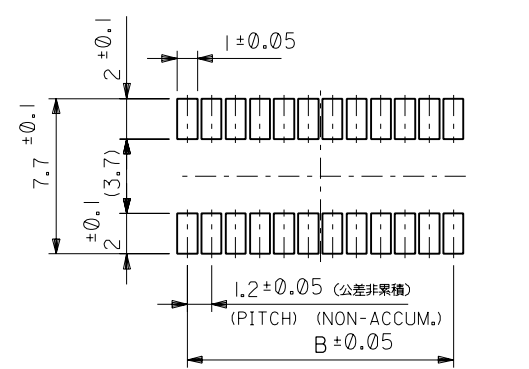


DO NOT SCALE DRAWING



参考基板レイアウト
P.C.BOARD PATTERN DIM. (REF.)



参考嵌合基板レイアウト
MATING P.C.BOARD PATTERN DIM. (REF.)

注記
NOTES

- 材質 MATERIAL
ハウジング : 液晶ポリマー (黒) UL94V-0
HOUSING : LIQUID CRYSTAL POLYMER, (BLACK), UL94V-0
ターミナル : 燐青銅 (t=0.1)
TERMINAL : PHOSPHOR BRONZE (t=0.1)
 - メッキ仕様 PLATING
接点部 : 金メッキ
CONTACT AREA : GOLD PLATING 0.4 MICROMETER MINIMUM.
半田付け部 : 半田メッキ
SOLDER TAIL AREA : TIN-LEAD PLATING 2.5 MICROMETER MINIMUM.
下地メッキ : ニッケルメッキ
UNDER PLATING : NICKEL PLATING 1.5 MICROMETER MINIMUM.
- △3 コネクタを水平面上に置いた状態で維持する事。
TOLERANCES TO BE APPLIED WHEN ON A HORIZONTAL PLANE.
- △4 動作位置 (ストローク量 1.1mm) での接触力 : 0.46±0.1N {47±10gf}
NORMAL FORCE AT WORKING POSITION (STROKE 1.1mm) : 0.46±0.1N {47±10gf}
- △5 (全極数/2) が偶数の場合に適用。
THIS DIM. TO BE APPLICABLE TO THE PRODUCT
WHEN (TOTAL CKT/2) = EVEN NUMBER.

13.2	14.9	54546-2431	24
10.8	12.5	54546-2031	20
7.2	8.9	54546-1431	14
B	A	MATERIAL NO.	極数 CIRCUIT

図番 NO. DRAWN: CH/K APPR:	図番 NO. DRAWN: CH/K APPR:	図番 NO. DRAWN: CH/K APPR:	更新 REV. NO. J2002-0787 DRAWN: THIRAYAMA 01/10/03 CHK: THIRATA APPR: MISASAO 新規作成 RELEASED	材料 MATERIAL SEE NOTES	GENERAL TOLERANCES: (UNLESS SPECIFIED) 一般公差		SCALE	DESIGN UNITS	MODEL NO. 54546-***31	DIMENSIONS:		SHT	REV
					10 UNDER 未満	±0.2	5:1	mm □ INCH		<input checked="" type="checkbox"/> FIRST ANGLE PROJECTION	<input type="checkbox"/> mm <input type="checkbox"/> INCH	<input type="checkbox"/> mm ONLY	<input type="checkbox"/> CAD ONLY
図番 NO. DRAWN: CH/K APPR:	図番 NO. DRAWN: CH/K APPR:	図番 NO. DRAWN: CH/K APPR:	更新 REV. NO. J2001-0333 DRAWN: T.KAIHO 00/11/2 CHK: T.ITO APPR: M.FUKUSHIMA	FINISH 仕上げ //	10 OVER 30 UNDER 未満	±0.25	DRAWN BY & DATE T.KAIHO 00/11/2	<input checked="" type="checkbox"/> mm <input type="checkbox"/> INCH	TITLE: 1.2mm PITCH DUAL ONE PIECE Conn Hsg Assy W/O BOSS	MOLEX MOLEX INCORPORATED	MATERIAL NO. DRAWING NO. SD-54546-012	SHEET NO. 1 OF 1	SIZE B
					30 OVER 以上	±0.3							
図番 NO. DRAWN: CH/K APPR:	図番 NO. DRAWN: CH/K APPR:	図番 NO. DRAWN: CH/K APPR:	更新 REV. NO. J2001-0333 DRAWN: T.KAIHO 00/11/2 CHK: T.ITO APPR: M.FUKUSHIMA	WIRE RANGE 適用 適用範囲	ANGLE 角度	±3°	APPROVED BY & DATE M.FUKUSHIMA 00/11/2	CAD FILENAME 54546012.S01	SEE CHART	MOLEX MOLEX INCORPORATED	MATERIAL NO. DRAWING NO. SD-54546-012	SHEET NO. 1 OF 1	SIZE B

THIS DRAWING CONTAINS INFORMATION THAT IS PROPRIETARY TO MOLEX INCORPORATED AND SHOULD NOT BE USED WITHOUT WRITTEN PERMISSION.

DWG. NO. SD-54546-013

F

D

V

C

B

DO NOT SCALE DRAWING

8

7

6

5

4

3

2

1

F

E

D

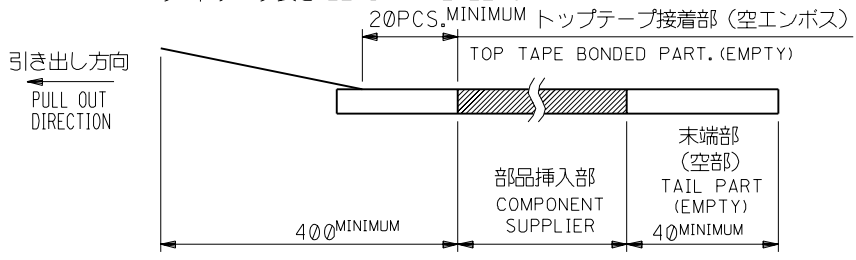
C

B

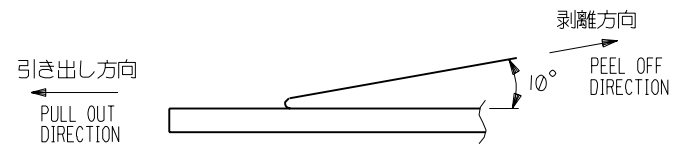
A

注記 NOTES

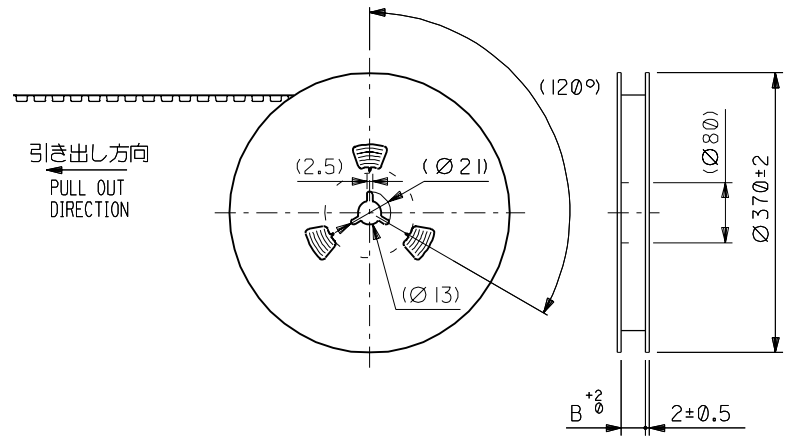
- 1. 梱包数量：1000個/リール
NUMBER OF CONNECTORS : 1000PCS/REEL
- 2. リードテープ長さ LEAD TAPE LENGTH



- 3. トップテープの剥離強度：0.1N ~ 0.7N(10.2gf ~ 71.4gf)
(剥離方向は下図参照)
尚、本規格値は出荷時に適用。(但し、輸送時に剥離が発生しないこと。)
PEELING OFF FORCE OF TOP TAPE : 0.1N ~ 0.7N(10.2gf ~ 71.4gf)
(PEELING DIRECTION AS SHOWN IN FOLLOWING FIG.)
THIS REQUIREMENT SHOULD BE APPLIED AT SHIPMENT.
PEEL OFF SHOULD NOT BE ALLOWED , DURING TRANSPORTATION.



- 4. 材料 (MATERIAL)
キャリアテープ (CARRIER TAPE) : ポリプロピレン (POLYPROPYLENE)
トップテープ (TOPTAPE) : PET , PE , PEF
リール (REEL) : 紙製 (CARD BOARD)



54546-2431	54546-2491	24
54546-2031	54546-2091	20
54546-1431	54546-1491	14
CONNECTOR	MATERIAL No.	極数 CIRCUIT

04 NO. J2002-0787 DRWN: THIRAYAMA 01/10/03 CHK: THIRATA APPR: MISASAO 更新 新規作成 RELEASED 06 NO. JC2001-0333 DRWN: T.KAIHO 00/11/2 CHK: T.ITO APPR: M.FUKUSHIMA	MATERIAL 材料 SEE NOTES	GENERAL TOLERANCES: (UNLESS SPECIFIED) 一般公差 10 UNDER 未満 ±0.2 10 OVER 以上 30 UNDER 未満 ±0.25 30 OVER 以上 ±0.3 ANGLE 角度 ±3°	SCALE 1:1 DESIGN UNITS 2D 3D 2D: mm 3D: mm DRAWN BY & DATE T.KAIHO 00/11/2 CHECKED BY & DATE T.ITO 00/11/2 APPROVED BY & DATE M.FUKUSHIMA 00/11/2 CAD FILENAME 54546013.S01	MODEL NO. 54546-**91 DIMENSIONS: 2D 3D mm INCH mm ONLY SHT 1 OF 2 REV TITLE: 1.2 DUAL ONE PIECE Conn Hsg Assy (W/O BOSS) Embstp Pkg MOLEX INCORPORATED	MATERIAL NO. 54546-**91 DRAWING NO. SD-54546-013 SHEET NO. 1 OF 2	
	FINISH 仕上げ // WIRE RANGE 適用 適用線範囲 // INS. RANGE 被覆 外径 //	DIMENSIONS: 2D 3D mm INCH mm ONLY SHT 1 OF 2 REV	TITLE: 1.2 DUAL ONE PIECE Conn Hsg Assy (W/O BOSS) Embstp Pkg MOLEX INCORPORATED	MATERIAL NO. 54546-**91 DRAWING NO. SD-54546-013 SHEET NO. 1 OF 2	DIMENSIONS: 2D 3D mm INCH mm ONLY SHT 1 OF 2 REV	MATERIAL NO. 54546-**91 DRAWING NO. SD-54546-013 SHEET NO. 1 OF 2
	FINISH 仕上げ // WIRE RANGE 適用 適用線範囲 // INS. RANGE 被覆 外径 //	DIMENSIONS: 2D 3D mm INCH mm ONLY SHT 1 OF 2 REV	TITLE: 1.2 DUAL ONE PIECE Conn Hsg Assy (W/O BOSS) Embstp Pkg MOLEX INCORPORATED	MATERIAL NO. 54546-**91 DRAWING NO. SD-54546-013 SHEET NO. 1 OF 2	DIMENSIONS: 2D 3D mm INCH mm ONLY SHT 1 OF 2 REV	MATERIAL NO. 54546-**91 DRAWING NO. SD-54546-013 SHEET NO. 1 OF 2
	FINISH 仕上げ // WIRE RANGE 適用 適用線範囲 // INS. RANGE 被覆 外径 //	DIMENSIONS: 2D 3D mm INCH mm ONLY SHT 1 OF 2 REV	TITLE: 1.2 DUAL ONE PIECE Conn Hsg Assy (W/O BOSS) Embstp Pkg MOLEX INCORPORATED	MATERIAL NO. 54546-**91 DRAWING NO. SD-54546-013 SHEET NO. 1 OF 2	DIMENSIONS: 2D 3D mm INCH mm ONLY SHT 1 OF 2 REV	MATERIAL NO. 54546-**91 DRAWING NO. SD-54546-013 SHEET NO. 1 OF 2

8

7

6

5

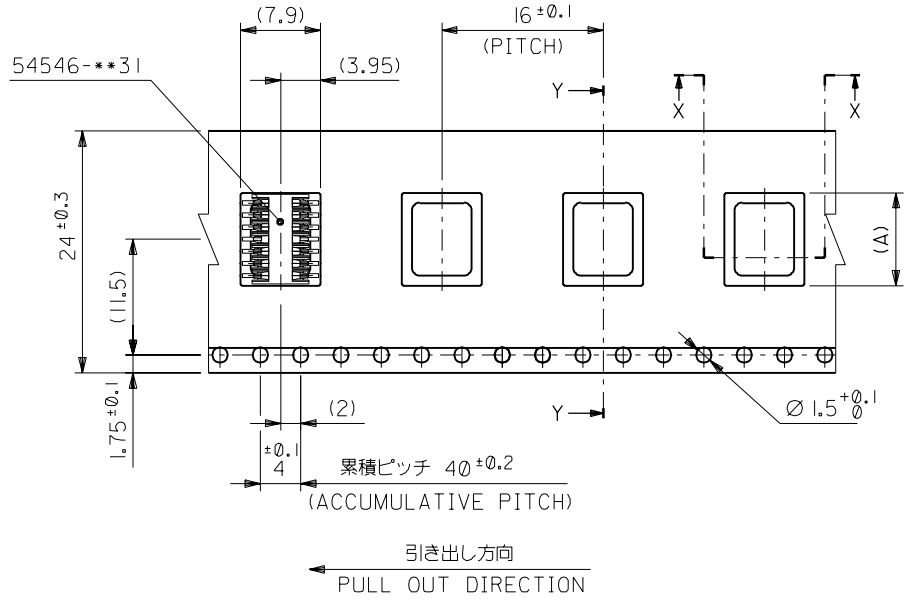
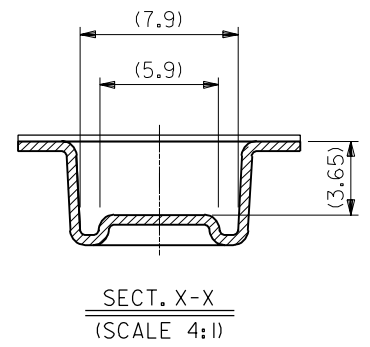
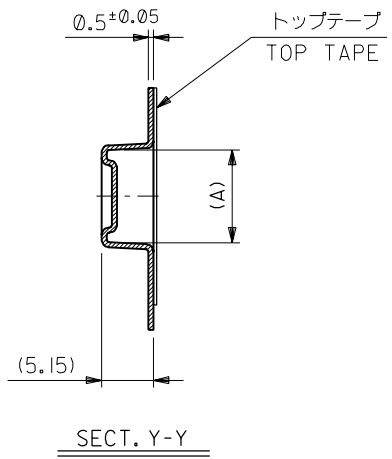
4

3

2

EN-02J(097) MXJ-54

54546013.S01



24	24.4	15.2	54546-2491	24
		12.8	54546-2091	20
		9.2	54546-1491	14
キャリアテープ幅 CARRIER TAPE WIDTH		B	A	MATERIAL NO. CIRCUIT

064NO. DRAWN: CHK: APPR:	063NO. DRAWN: CHK: APPR:	062NO. DRAWN: CHK: APPR:	更新	REVISED	MATERIAL 材料 SHEET NO.1 参照 SEE SHEET NO.1	GENERAL TOLERANCES: (UNLESS SPECIFIED) 一般公差	SCALE 2:1	DESIGN UNITS <input checked="" type="checkbox"/> mm <input type="checkbox"/> INCH	24° PROJECTION	DIMENSIONS: <input type="checkbox"/> mm <input type="checkbox"/> INCH <input checked="" type="checkbox"/> mm ONLY	SHT REV			
			061NO. J2002-0787 DRWN: THIRAYAMA 01/10/03 CHK: THIRATA APPR: MISASAO	新規作成 RELEASED 060NO. JC2001-0333 DRWN: T.KAIHO '00/11/2 CHK: T.IITO APPR: M.FUKUSHIMA								WIRE RANGE 適用線径範囲	FINISH 仕上げ	DRAWN BY & DATE T.KAIHO '00/11/2
A	Ø				INS. RANGE 被覆外径	10 UNDER 未満 ±0.2 10 OVER 30 UNDER 未満 ±0.25 30 OVER 以上 ±0.3	DRAWN BY & DATE T.KAIHO '00/11/2	CHECKED BY & DATE T.IITO '00/11/2	APPROVED BY & DATE M.FUKUSHIMA '00/11/2	MOLEX MOLEX INCORPORATED	CAD FILENAME 54546013.S02	MATERIAL NO. SEE CHART	DRAWING NO. SD-54546-013	SHEET NO. 2 OF 2
THIS DRAWING CONTAINS INFORMATION THAT IS PROPRIETARY TO MOLEX INCORPORATED AND SHOULD NOT BE USED WITHOUT WRITTEN PERMISSION.												SIZE B		