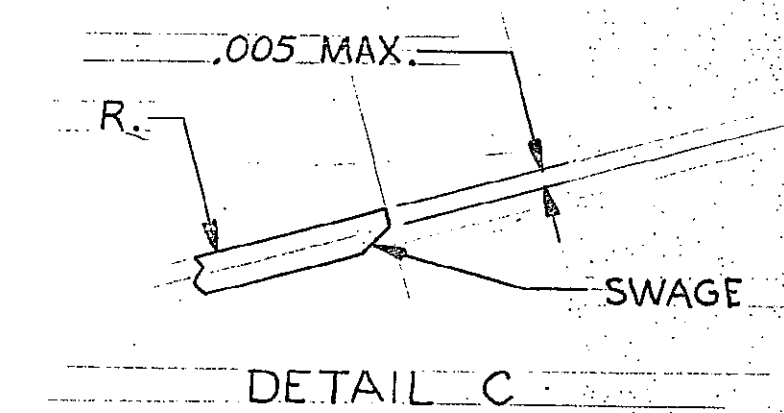
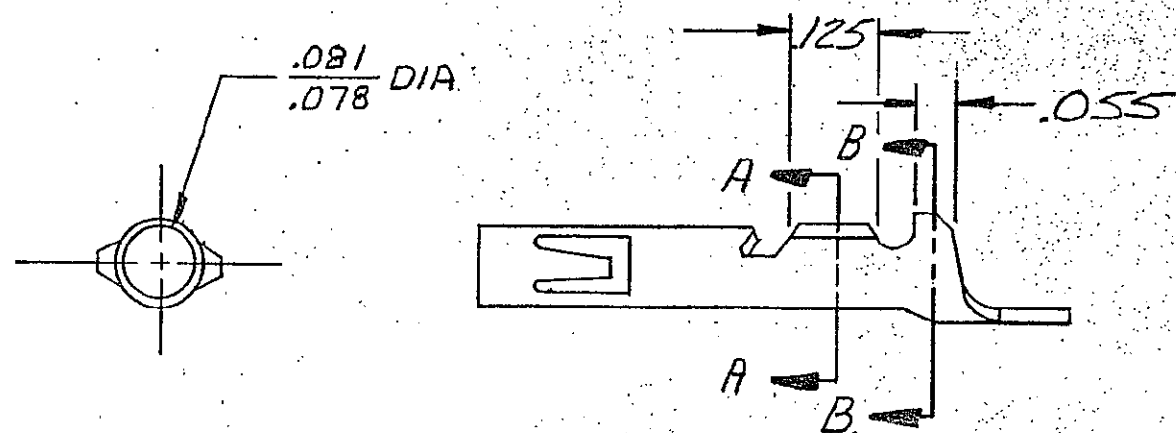
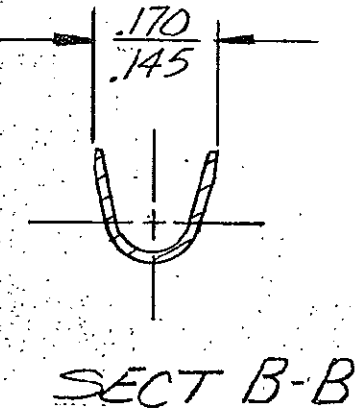
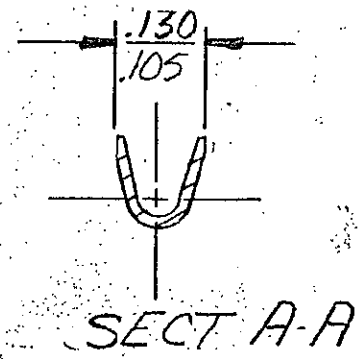
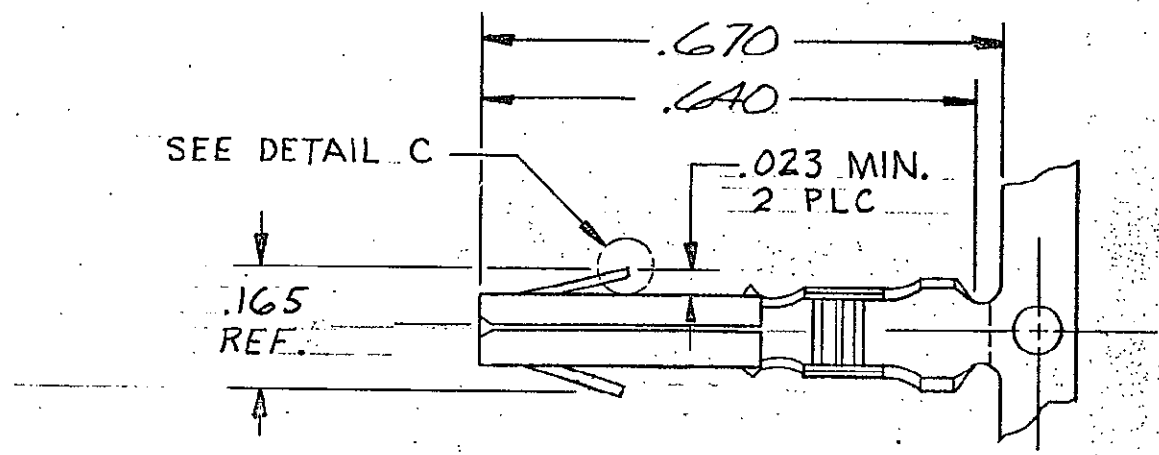


© COPYRIGHT 1972 BY AMP INCORPORATED, HARRISBURG, PA.
 ALL INTERNATIONAL RIGHTS RESERVED. AMP INCORPORATED PRODUCTS
 COVERED BY U. S. AND FOREIGN PATENTS AND/OR PATENTS PENDING.

LOC CM DIST 53

		REVISIONS				
P	F	ZONE	LTR	DESCRIPTION	DATE	APPROVED
✓	✓		F	REDWN W/O CHNG M-5090	4-28-78	MSF/D.H.
✓	✓		G	ADDED WIRE RANGE + INSUL DIA, M-6708	11-10-81	MSF/D.H.
✓	✓		H	ADDED 350217-4	3/20/82	DMS/CM
✓			H	RESTORED	3/28/85	BKD/RS
✓			J	OBSOLETE -3 & -7 PER CM-473	6-5-86	KW/RS
✓			K	OBSOLETE -2 PER ECN CM-761	4/28/87	PKC TB
✓			L	REV PER EC 0730-3607-91	1-5-94	RV RS
			M	OBS-4 PER EC 0730-0127-96	6-19-97	JH RS



REMARKS	MAT'L	FINISH	PART NO
USE W/MINI-APPLICATOR	BRASS	PRE-TIN	350217-1

UNLESS OTHERWISE SPECIFIED DIMENSIONS ARE IN INCHES. TOLERANCES ON: DECIMALS ± .015 ANGLES ± 1°	CONTRACT NO	AMP INCORPORATED Harrisburg, Pa.
	DR <i>[Signature]</i> 4-28-78	
WIRE RANGE 20-14-AWG	CHK <i>[Signature]</i> 11/6/78	NAME SOCKET, MATE-N-LOK™ DUAL LANCE
INSULATION DIA .130 MAX	APPD <i>[Signature]</i> 11/7	SIZE B
	DSGN APPD	CODE IDENT NO 00779
	OTHER APPD	DRAWING NO 350217
		SCALE 4-1
		SHEET 1 OF 1