

THIS DRAWING IS UNPUBLISHED.

RELEASED FOR PUBLICATION

--

© COPYRIGHT BY TYCO ELECTRONICS CORPORATION.

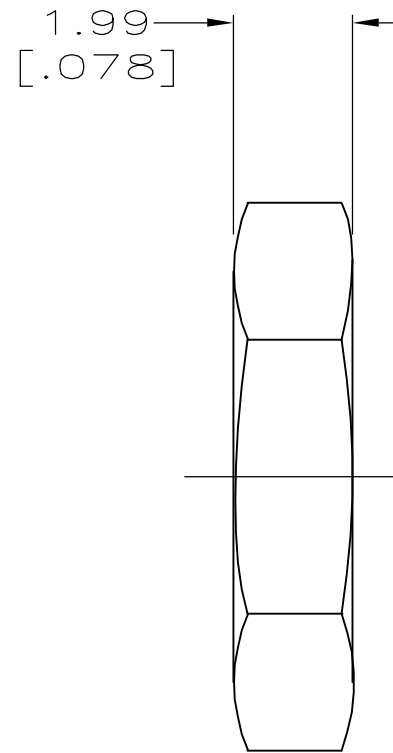
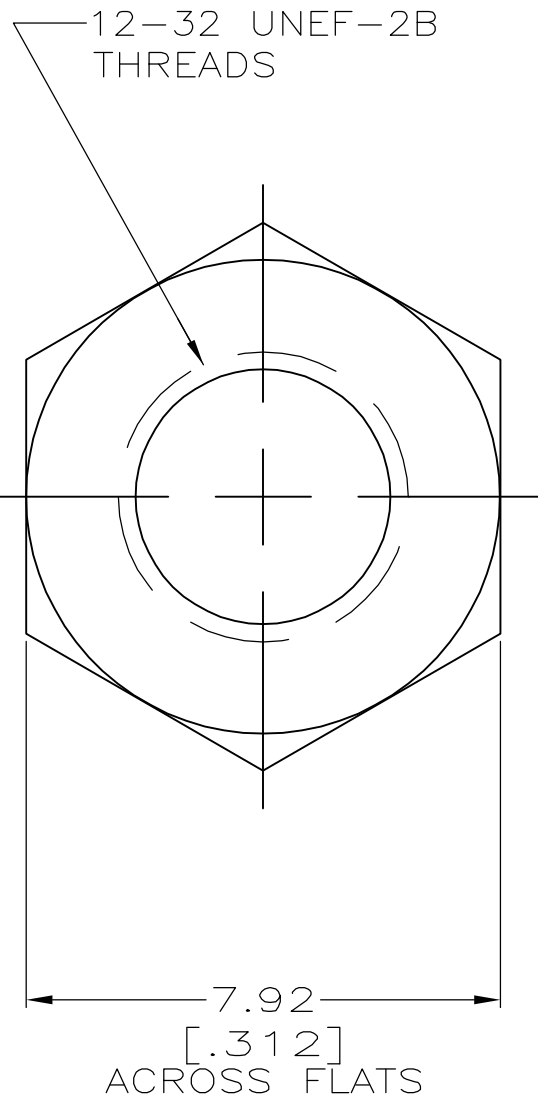
ALL RIGHTS RESERVED.

LOC
AJ 16

REVISIONS

P	LTR	DESCRIPTION	DATE	DWN	APVD
	D	REV PER ECO-06-003170	10MAR06	PY	WM

- ① BRASS PER QQ-B-626.
- ② STAINLESS STEEL PER ASTM-A-582.
- ③ SILVER PLATE PER QQ-S-365.
- ④ GOLD PLATE PER MIL-G-45204.
- ⑤ PASIVATION PER QQ-P-35.
- ⑥ SPECIAL PACKAGING; PACKAGED 250 PIECES PER BAG.



FINISH	MATERIAL	PART NUMBER
③	①	5-328690-0
④	②	1-328690-5
⑤	②	1-328690-3
④	②	1-328690-2
③	①	329680

THIS DRAWING IS A CONTROLLED DOCUMENT.		DWN B. MOYER 26MAR97	Tyco Electronics Corporation Harrisburg, Pa 17105-3608		
DIMENSIONS: mm		CHK J. CABARLO 26MAR97			
TOLERANCES UNLESS OTHERWISE SPECIFIED:		APVD J. CABARLO 26MAR97	NAME JAM NUT, MINIATURE THREADED SERIES		
0 PLC ± - 1 PLC ± - 2 PLC ± 0.38 [.015] 3 PLC ± - 4 PLC ± - ANGLES ± -		PRODUCT SPEC -			
MATERIAL ① - ②		FINISH ③ ④ - ⑤	APPLICATION SPEC -	SIZE A3	
		WEIGHT -	CAGE CODE 00779		
CUSTOMER DRAWING			RESTRICTED TO -	SCALE 8:1	SHEET 1 OF 1
			REV D		