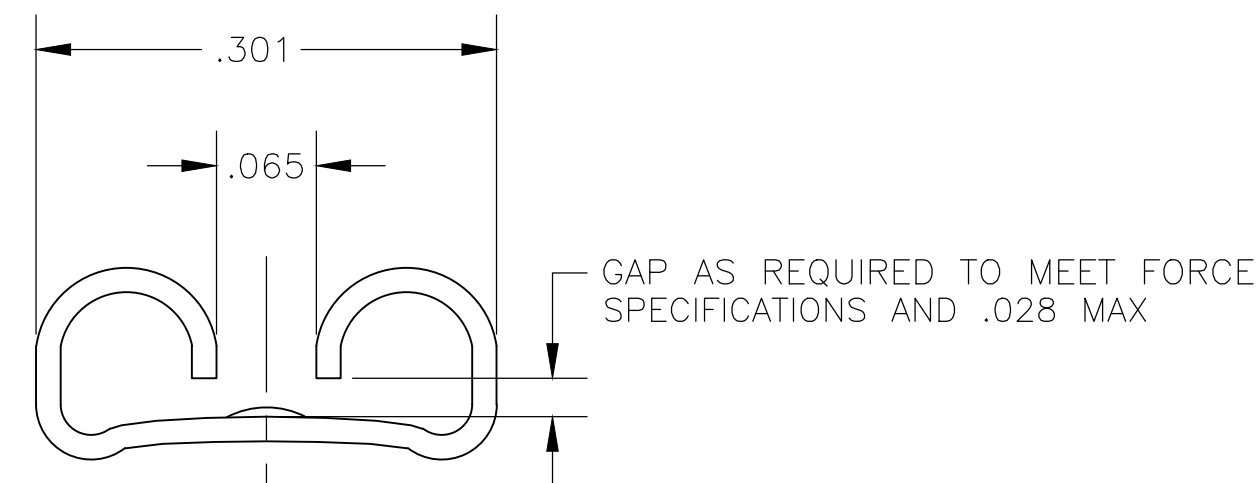
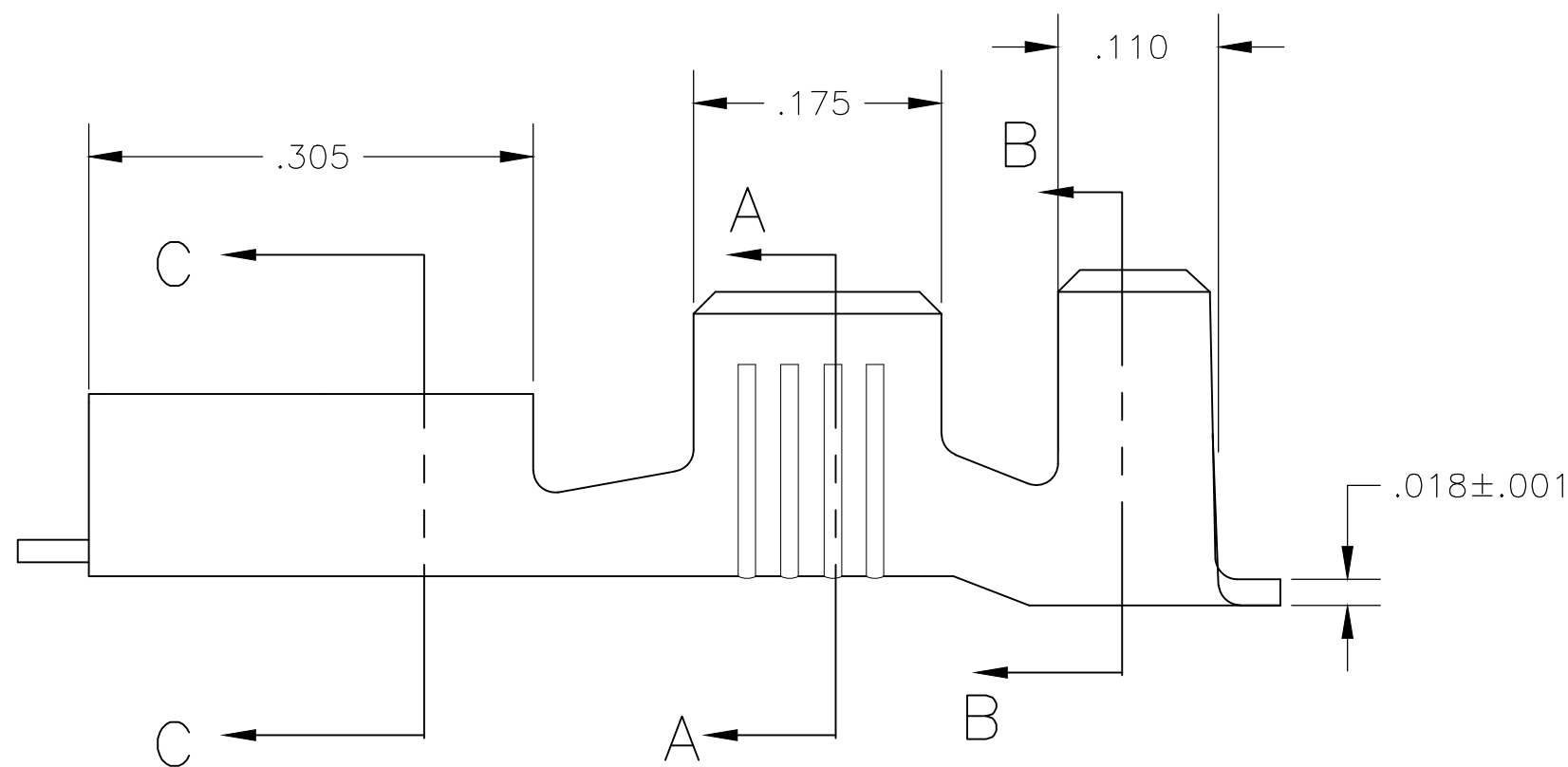
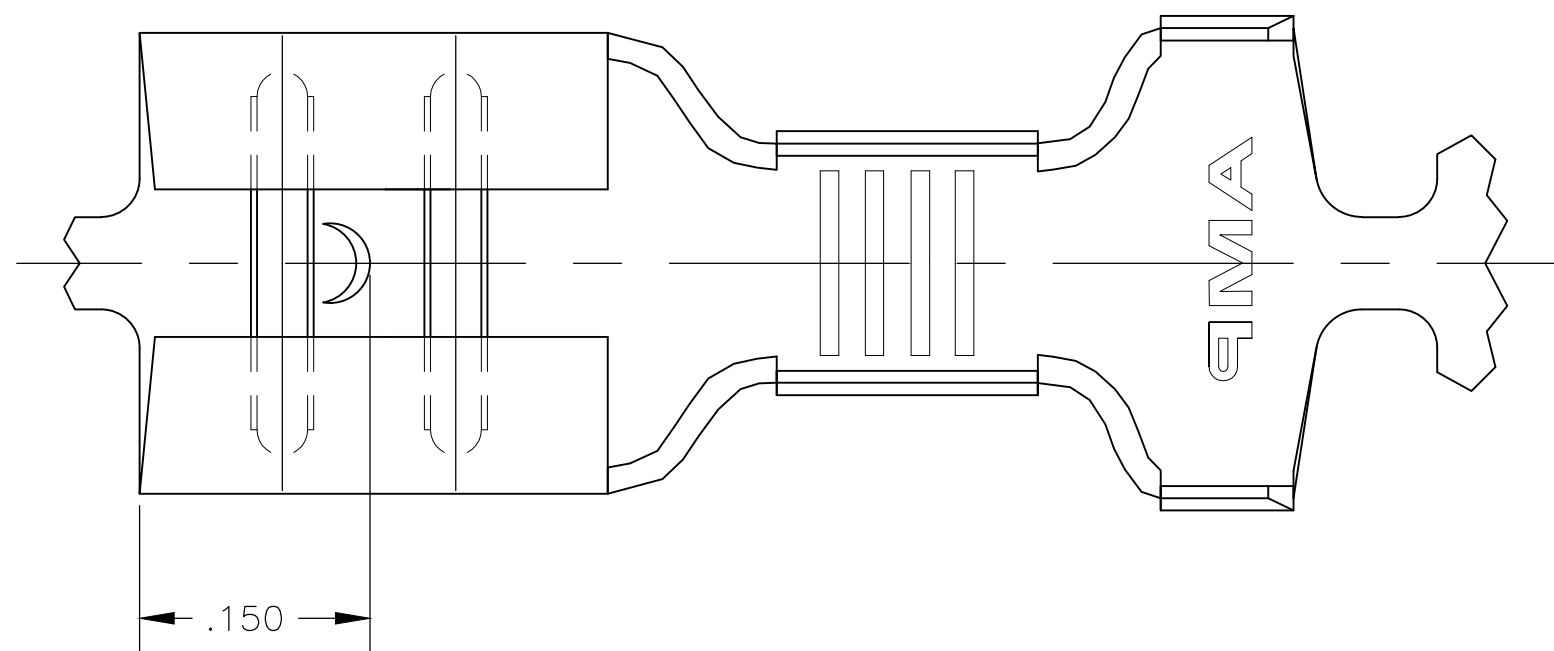


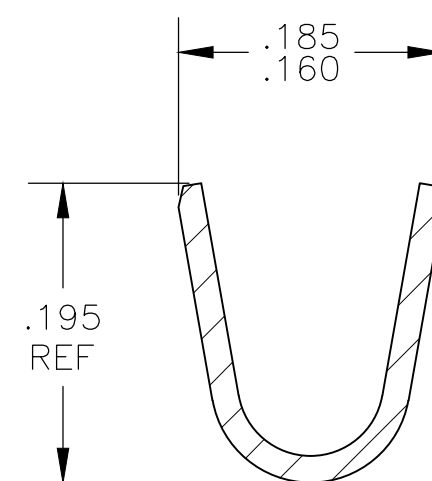
THIS DRAWING IS UNPUBLISHED. RELEASED FOR PUBLICATION  
 © COPYRIGHT - By - ALL RIGHTS RESERVED.

LOC	DIST	REVISIONS			
P	LTR	DESCRIPTION	DATE	DWN	APVD
AF	50	K1	REVISED PER ECR-20-009164	27JUL2020	MK DH

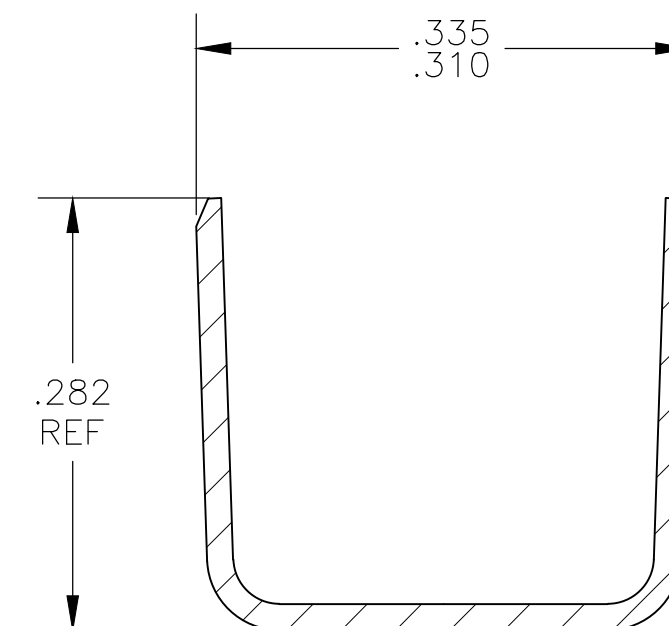
- 1 CONTINUOUS STRIP ON REELS
- 2 ACCEPTS #14#10 AWG OR TWO #14's WIRE SIZES, CRIMP WIDTH, .140, F TYPE
- 3 INSULATION RANGE IS .225-.275 DIA OR TWO AT .140 MAX. CRIMP WIDTH, .310, F TYPE
- 4 MATING TAB THK IS .033-.030



SECTION C-C



SECTION A-A



SECTION B-B

-	60635-3
.000150 MIN SILVER	60635-2
TIN	60635-1
FINISH	PART NO

THIS DRAWING IS A CONTROLLED DOCUMENT.		DWN	JR RUTH	27JUN02	 TE Connectivity
DIMENSIONS: INCHES		CHK	P DESANTIS	28JUN02	
TOLERANCES UNLESS OTHERWISE SPECIFIED:		APVD	P DESANTIS	28JUN02	
0 PLC ± - 1 PLC ± - 2 PLC ± - 3 PLC ± .010 4 PLC ± - ANGLES ± -		PRODUCT SPEC	NAME		
MATERIAL: BRASS		FINISH	SEE TABLE		RECEPTACLE, FASTON, .250 SERIES
WEIGHT: -		SIZE: A2		CAGE CODE: 00779	DRAWING NO: C-60635
CUSTOMER DRAWING		SCALE: 8:1		SHEET: 1 of 1	REV: K1