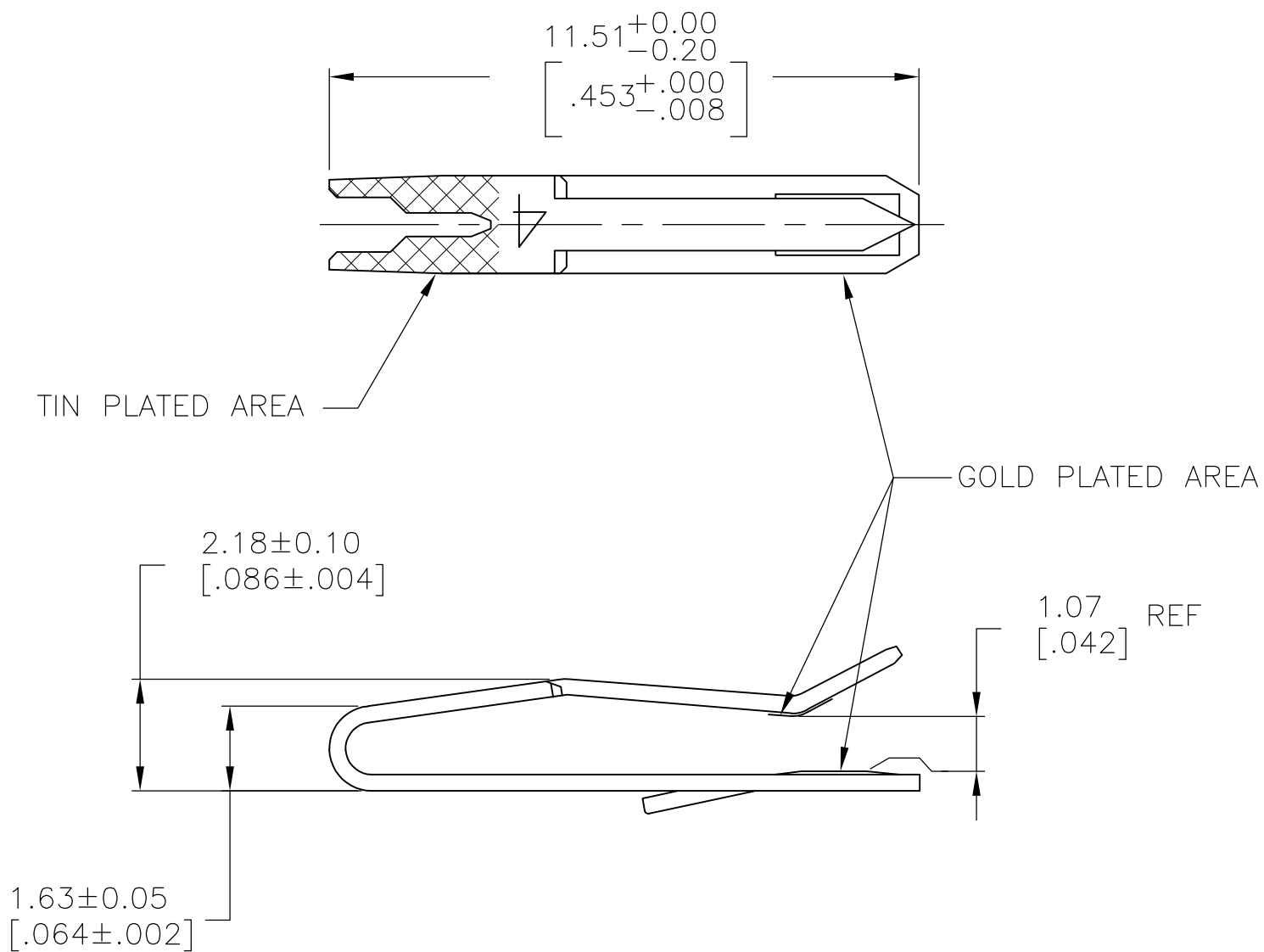


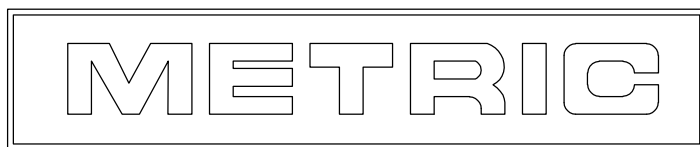
THIS DRAWING IS UNPUBLISHED. RELEASED FOR PUBLICATION
 © COPYRIGHT BY TYCO ELECTRONICS CORPORATION. ALL RIGHTS RESERVED.

LOC	DIST	REVISIONS					
		P	LTR	DESCRIPTION	DATE	DWN	APVD
CM	00		F	REVISED PER ECO-07-007260	09APR07	KW	DB
			F1	REVISED PER ECO-09-024717	05NOV09	KK	AEG



- DIMENSIONS IN BRACKETS ARE IN INCHES.
- 0.00038 [$.000015$] MIN THICK GOLD IN THE GOLD PLATE AREA OVER 0.00127 [$.000050$] MIN THICK NICKEL.
- 0.00076 [$.000030$] MIN THICK GOLD IN THE GOLD PLATE AREA OVER 0.00127 [$.000050$] MIN THICK NICKEL.
- 0.00203 [$.000080$] MIN THICK TIN-LEAD IN THE TIN-LEAD PLATE AREA OVER 0.00127 [$.000050$] MIN THICK NICKEL.
- MATTE TIN 0.00203($.000080$) MIN THICK IN TIN PLATED AREA
- OBSOLETE PARTS: OBSOLETE CIS STREAMLINING PER D.RENAUD/D.SINISI

SUPERCEDED 6	$\triangle 3 \triangle 5$	641187-4
	$\triangle 2 \triangle 5$	641187-3
	$\triangle 3 \triangle 4$	641187-2
	$\triangle 2 \triangle 4$	641187-1
	FINISH	PART NO



THIS DRAWING IS A CONTROLLED DOCUMENT.		DWN BSV 25OCT2005	Tyco Electronics Corporation Harrisburg, PA 17105-3608	
DIMENSIONS: mm [INCHES]	TOLERANCES UNLESS OTHERWISE SPECIFIED:	CHK D. BOSSI 25OCT2005	NAME	
	0 PLC ± -	APVD D. BOSSI 25OCT2005	CONTACT, LOOSE PIECE, GOLD STRIP, 24 AWG WIRE, MTA-100	
	1 PLC ± -	PRODUCT SPEC	-	
	2 PLC ± -	APPLICATION SPEC	-	
	3 PLC ± 0.13 [.005]	WEIGHT	-	
	4 PLC ± -	CUSTOMER DRAWING	SIZE A3	CAGE CODE 00779
	ANGLES ± -		DRAWING NO C-641187	RESTRICTED TO -
MATERIAL 0.30 [.012] THK COPPER ALLOY	FINISH SEE TABLE		SCALE 8:1	SHEET 1 OF 1
				REV F1