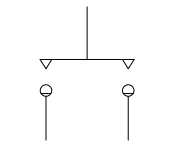
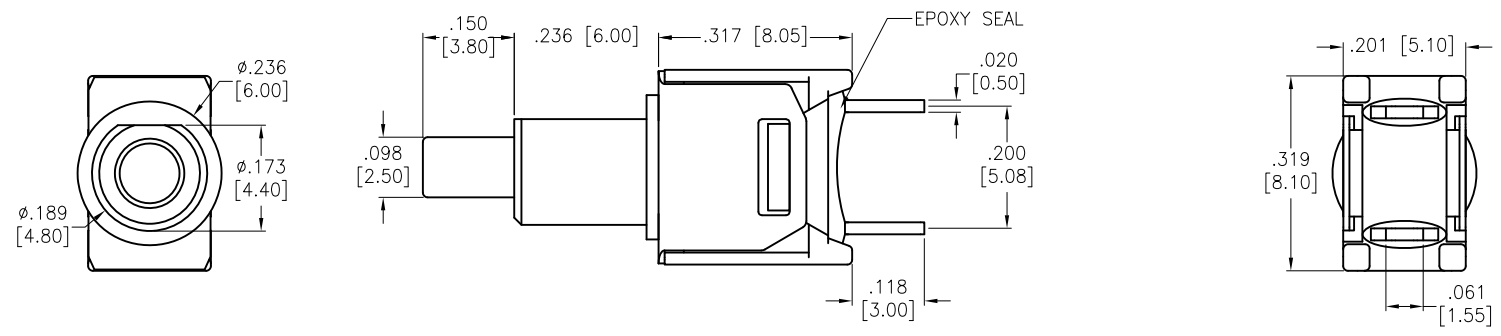


Rev	AWO #	Description	Date	Appr
-		RELEASED	3/9/21	
A		UPDATE SPEC.	6/21/21	WX/RC

APPROVED: \_\_\_\_\_  
 DATE: \_\_\_\_\_ TITLE: \_\_\_\_\_



CIRCUIT DIAGRAM  
(SPST) OFF-MOM

**SPECIFICATIONS:**  
 Material:  
 Movable Contact: Copper Alloy, Silver Plated  
 Terminal: Copper Alloy, Silver Plated  
 Electrical:  
 Rating: 1 Amps with resistive load @ 125VAC or 28VDC  
 Contact resistance: 20 mΩ max  
 Insulation resistance: 1,000 Mohms min  
 Dielectric withstanding voltage: 1,500V RMS @Sea level  
 Temperature Rating:  
 Operating temperature: -30°C to +85°C  
 Environmental:  
 Lead free, RoHS compliant



UNLESS OTHERWISE SPECIFIED ALL DIMENSIONS ARE INCHES [MM] TOLERANCES: EXCEPT AS NOTED			
INCHES		HOLES	
.X ± .10	Ø.X ± .10		
.XX ± .020	Ø.XX ± .015		
.XXX ± .015	Ø.XXX ± .010		
APPROVALS		DATE	
DRAWN	WX	3/9/21	
CHECKED	AC	3/9/21	
APPROVED			

**ADAM TECH** 909 Rahway Avenue,  
 Union, NJ 07083  
 Phone: 908-687-5000  
 Fax: 908-687-5710

TITLE  
**SUB-MINIATURE PUSHBUTTON SWITCH,  
 OFF-MOMENTARY, SPST, SILVER PLATED, SOLDER TYPE**

SIZE <b>X</b>	PART NO. <b>SW-PB9-BB00AQE-5</b>	REV. <b>A</b>
REF: S00198T	SCALE: NTS	SHEET 1 OF 1

6 5 4 3 2 1

D

D

C

C

B

B

A

A

6 5 4 3 2 1