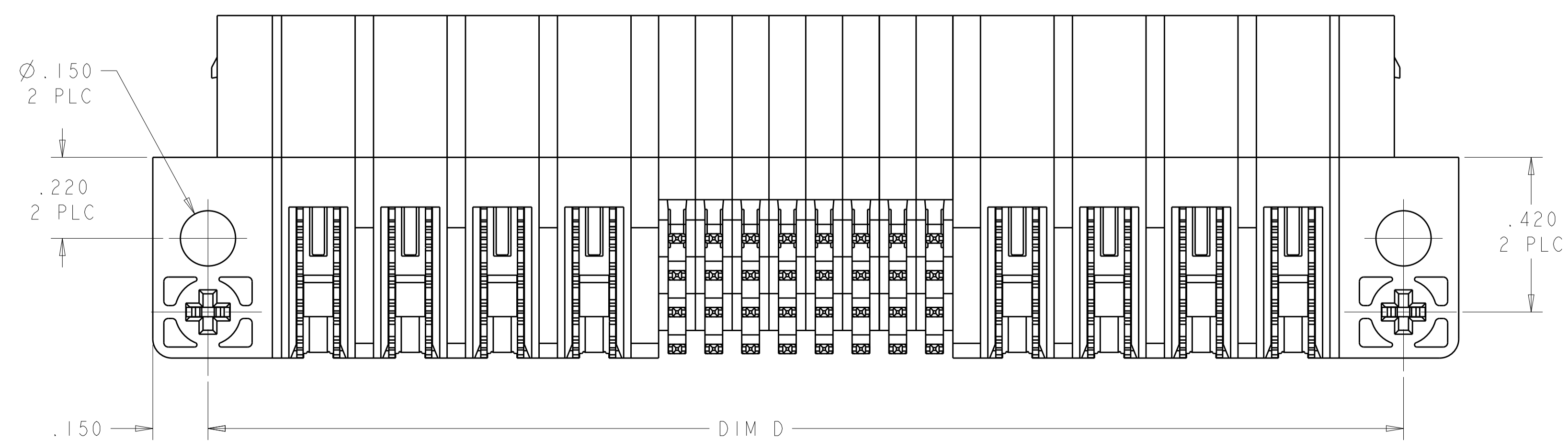
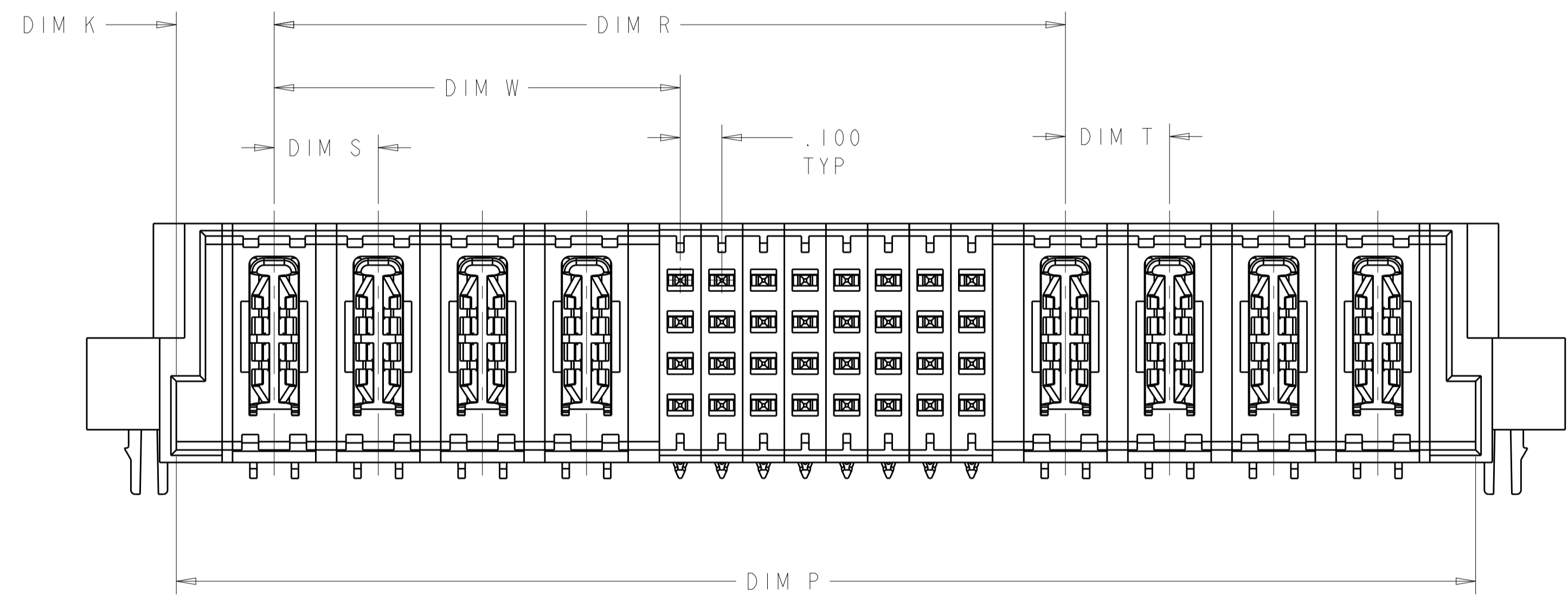
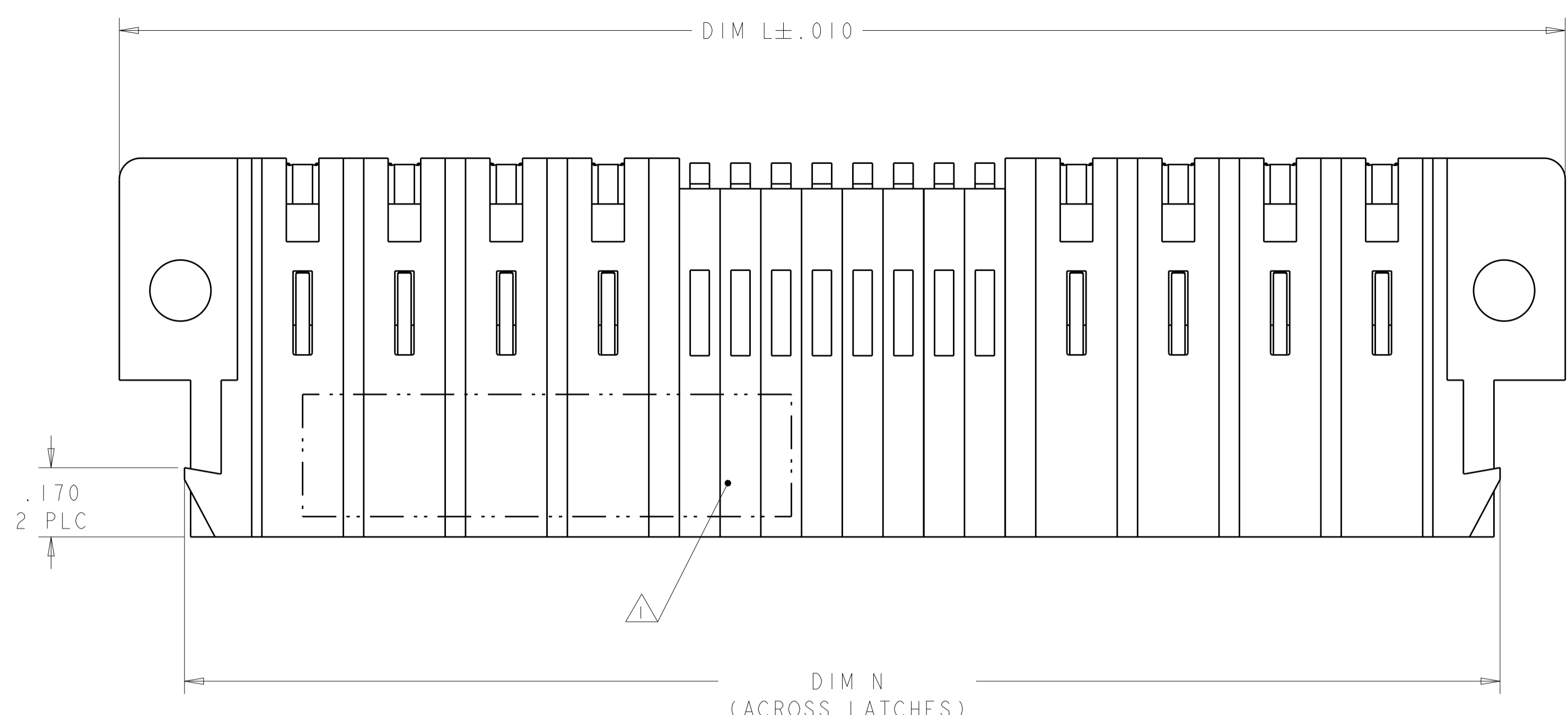
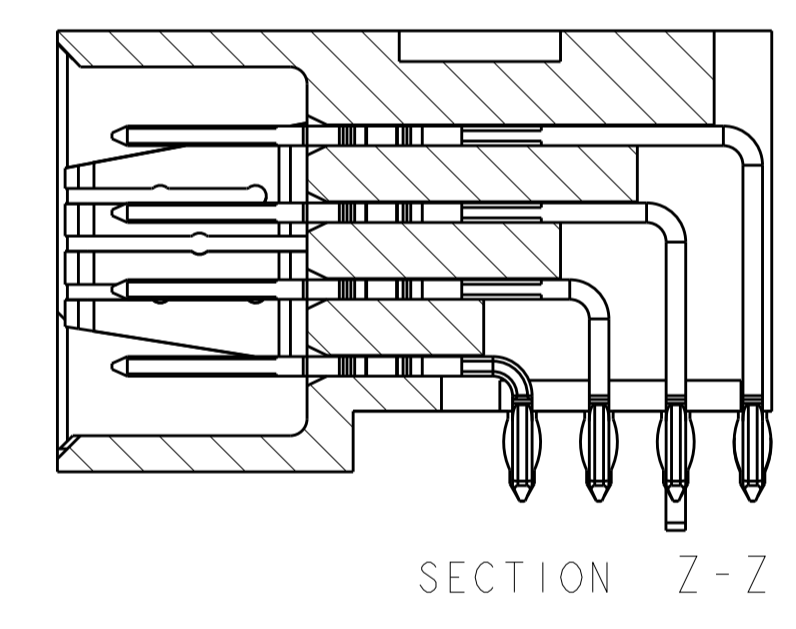
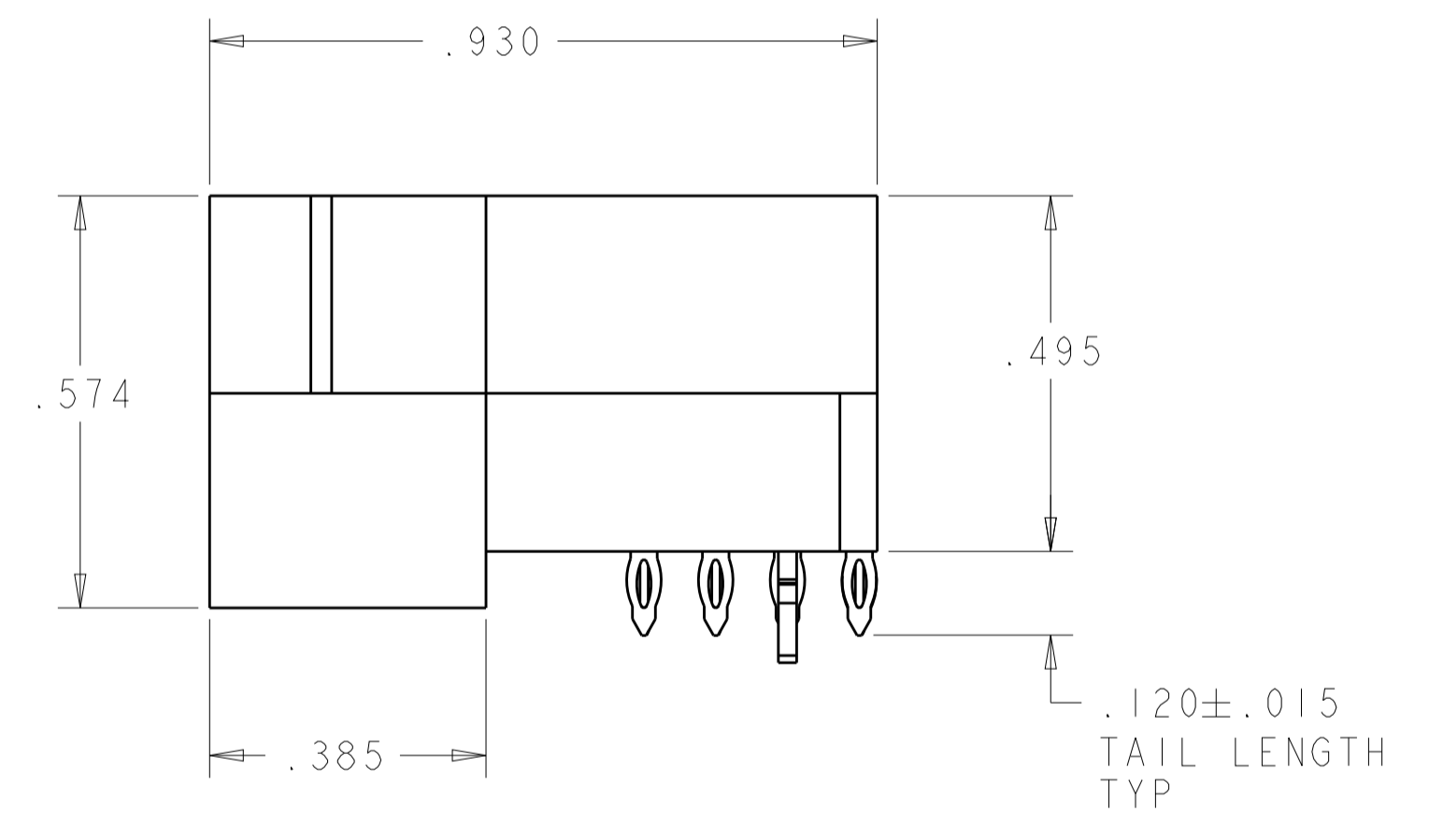


LOC	DIST	REVISIONS					
		P	LTN	DESCRIPTION	DATE	DWN	APVD
ES	00	A7		ADDED NEW DASH NUMBER -8	26JUL2012	CZ	SZ
		A8		REVISED FOR -8	03AUG2012	CZ	SZ



- 1 "AMP" PART NUMBER AND DATE CODE TO BE MARKED IN AREA SHOWN. PARTS UNDER 2.00 INCHES LONG MAY BE MARKED ON BOTH SIDES.
- 2 MATERIAL: HOUSING - GLASS FILLED HIGH TEMP THERMO PLASTIC, UL 94 V-0
SIGNAL CONTACT - COPPER ALLOY
POWER CONTACT - HIGH CONDUCTIVITY COPPER ALLOY.
- 3 CONTACT PLATING: NOBLE METAL PLATING ON CONTACT FUNCTIONAL AREA OF POWER AND SIGNAL CONTACTS
- 4 MECHANICAL CONNECTOR KEEP OUT ZONE. WHEN PLACING CONNECTORS END-TO-END, ALLOW ADDITIONAL 0.1 CLEARANCE BETWEEN CONNECTORS FOR LATCH ACTIVATION.
- 5 DATUM AND BASIC DIMENSIONS ESTABLISHED BY CUSTOMER.
- 6 PCB - ALL HOLE DIAMETERS ARE FINISHED HOLE SIZES.
- 7 PCB - .0453±.0010 DRILLED HOLES PLATED WITH .0003 MIN Sn OVER .001 TO .003 Cu PLATING TO ACHIEVE A .040 DIA HOLE.
- 8 FOR CONFIGURATION "S" DIMENSIONS PLEASE REFER TO SHEET 2.



A7	1.400	-	.300	1.270	1.380	-	.850	1.700	.235	3ACP + 4S	6450528-8
	1.975	-	-	1.845	1.955	-	-	2.275	.185	64S	6450528-7
	2.750	-	.300	2.620	2.730	-	2.050	3.050	.260	7ACP + 8S	6450528-6
	3.100	.300	.300	2.970	3.080	1.800	.850	3.400	.285	3ACP + 32S + 3ACP	6450528-5
	1.050	-	-	.920	1.030	.450	.225	1.350	.235	1P + 4S + 1P	6450528-4
	3.350	-	.300	3.220	3.330	-	2.300	3.650	.260	8ACP + 24S	6450528-3
	3.250	.250	.250	3.120	3.230	1.900	.975	3.550	.235	4P + 32S + 4P	6450528-1
	DIM D	DIM T	DIM S	DIM P	DIM N	DIM R	DIM W	DIM L	DIM K	DESCRIPTION	PART NUMBER

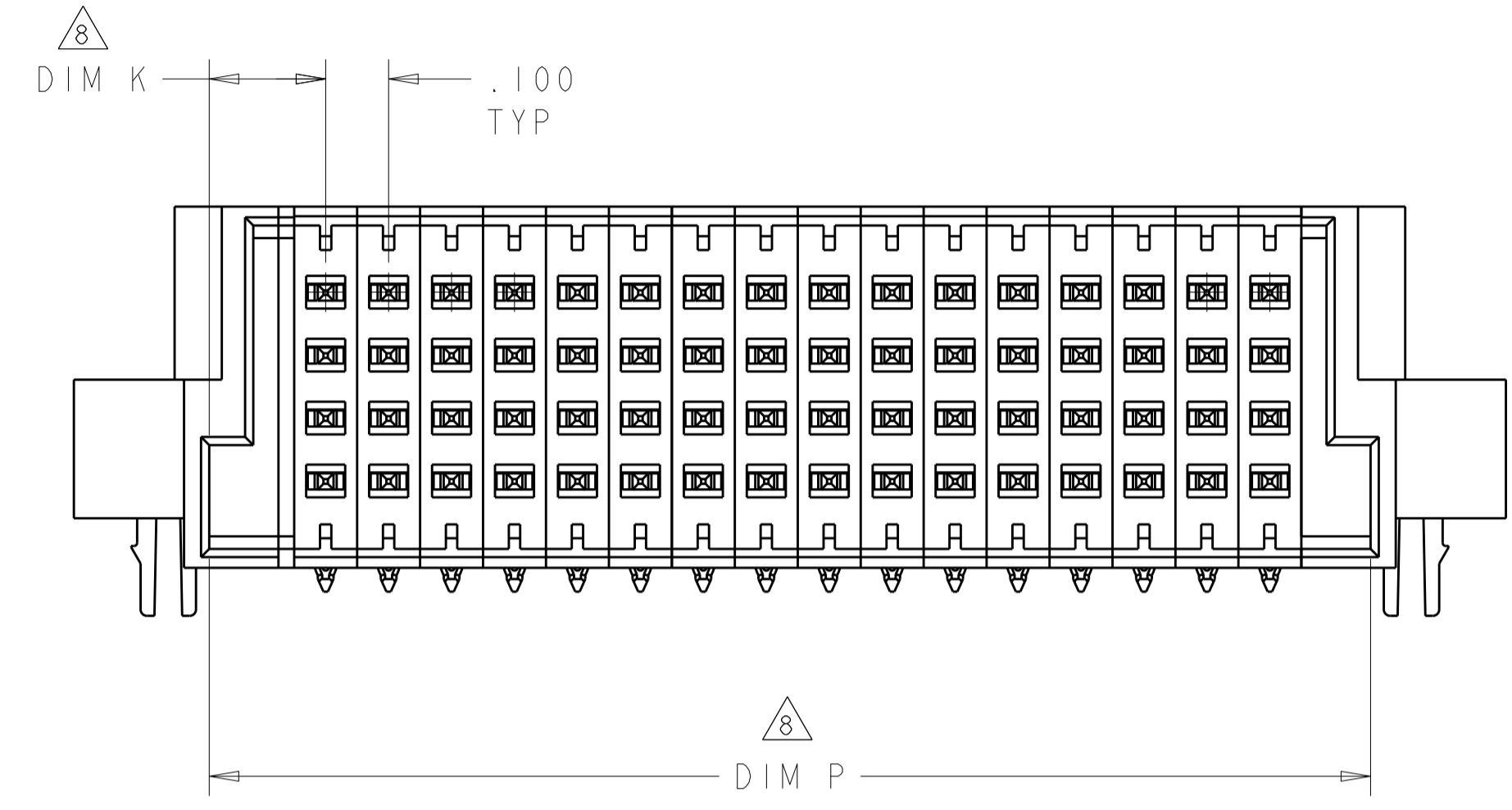
THIS DRAWING IS A CONTROLLED DOCUMENT. DIMENSIONS: INCHES. TOLERANCES UNLESS OTHERWISE SPECIFIED: 0 PLC ±.01, 1 PLC ±.01, 2 PLC ±.01, 3 PLC ±.005, 4 PLC ±.0020. MATERIAL: 2. FINISH: 3.

DWN: CECILY.ZHOU 25JUL2006	CHK: S.ZHAO 25JUL2006	APVD: S.ZHAO 25JUL2006	NAME: S.ZHAO
PRODUCT SPEC: 108-1973		APPLICATION SPEC: 114-13038	
WEIGHT: -		RESTRICTED TO: -	


STE TE Connectivity
RIGHT ANGLE HEADER ASSEMBLY W/END LATCHES MULTI-BEAM XL
A100779C=6450528
SCALE 4:1 SHEET 1 OF 7 REV B

THIS DRAWING IS UNPUBLISHED. RELEASED FOR PUBLICATION 20
COPYRIGHT 20 ALL RIGHTS RESERVED.

LOC		DIST		REVISIONS			
ES	00	P	LTH	DESCRIPTION	DATE	DMN	APVD
		-		SEE SHEET 1	-	-	-

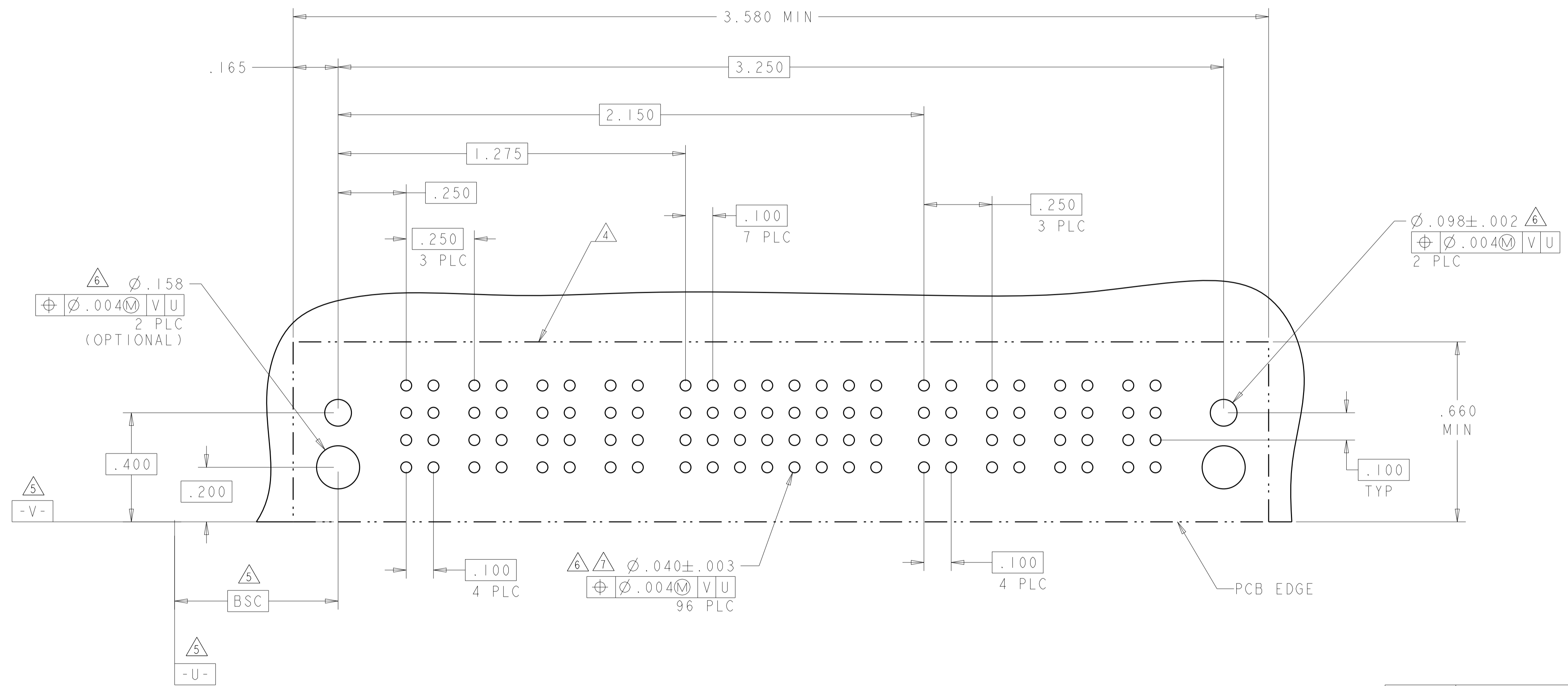


FOR CONFIGURATION "S", OTHER DIMENSIONS PLEASE REFER TO SHEET 1

THIS DRAWING IS A CONTROLLED DOCUMENT.		DMN G. CECILY, ZHOU 25JUL2006	 TE Connectivity
DIMENSIONS: INCHES		CHK S. ZHAO 25JUL2006	
TOLERANCES UNLESS OTHERWISE SPECIFIED:		APVD S. ZHAO 25JUL2006	NAME RIGHT ANGLE HEADER ASSEMBLY W/END LATCHES MULTI-BEAM XL
0 PLC ±. 1 PLC ±. 2 PLC ±.01 3 PLC ±.005 4 PLC ±.0020 ANGLES ±.7°		PRODUCT SPEC 108-1973	SIZE A100779
MATERIAL -		APPLICATION SPEC 114-13038	CAGE CODE DRAWING NO C=6450528
FINISH -		WEIGHT -	RESTRICTED TO -
CUSTOMER DRAWING		SCALE 4:1	SHEET 2 OF 7
		REV B	

LOC	DIST	REVISIONS					
		P	LTN	DESCRIPTION	DATE	DWN	APVD
ES	00	-	-	SEE SHEET 1	-	-	-

PART NUMBER	ROWS	POWER				SIGNAL								POWER			
		P1	P2	P3	P4	1	2	3	4	5	6	7	8	P5	P6	P7	P8
6450528-1	D	PT	PT	PT	PT	Z5	Z5	Z5	Z5	Z5	Z5	Z5	Z5	PT	PT	PT	PT
	C					Y5	Y5	Y5	Y5	Y5	Y5	Y5	Y5				
	B					R5	R5	R5	R5	R5	R5	R5	R5				
A						O5	O5	O5	O5	O5	O5	O5					
4P + 32S + 4P		HD															



PT	.120
CODE	TAIL LENGTH
POWER CONTACT	

Z5	STD	D
Y5	STD	C
R5	STD	B
O5	STD	A
CODE	MATING SEQUENCE	ROW
SIGNAL CONTACT		

THIS DRAWING IS A CONTROLLED DOCUMENT. DWN: CECILY.ZHOU 25JUL2006
CHK: S.ZHAO 25JUL2006
APVD: S.ZHAO 25JUL2006

DIMENSIONS: INCHES. TOLERANCES UNLESS OTHERWISE SPECIFIED:
0 PLC ±.01
1 PLC ±.01
2 PLC ±.01
3 PLC ±.005
4 PLC ±.0020
ANGLES ±.020

MATERIAL: FINISH:

PRODUCT SPEC: 108-1973
APPLICATION SPEC: 114-13038
WEIGHT: CUSTOMER DRAWING

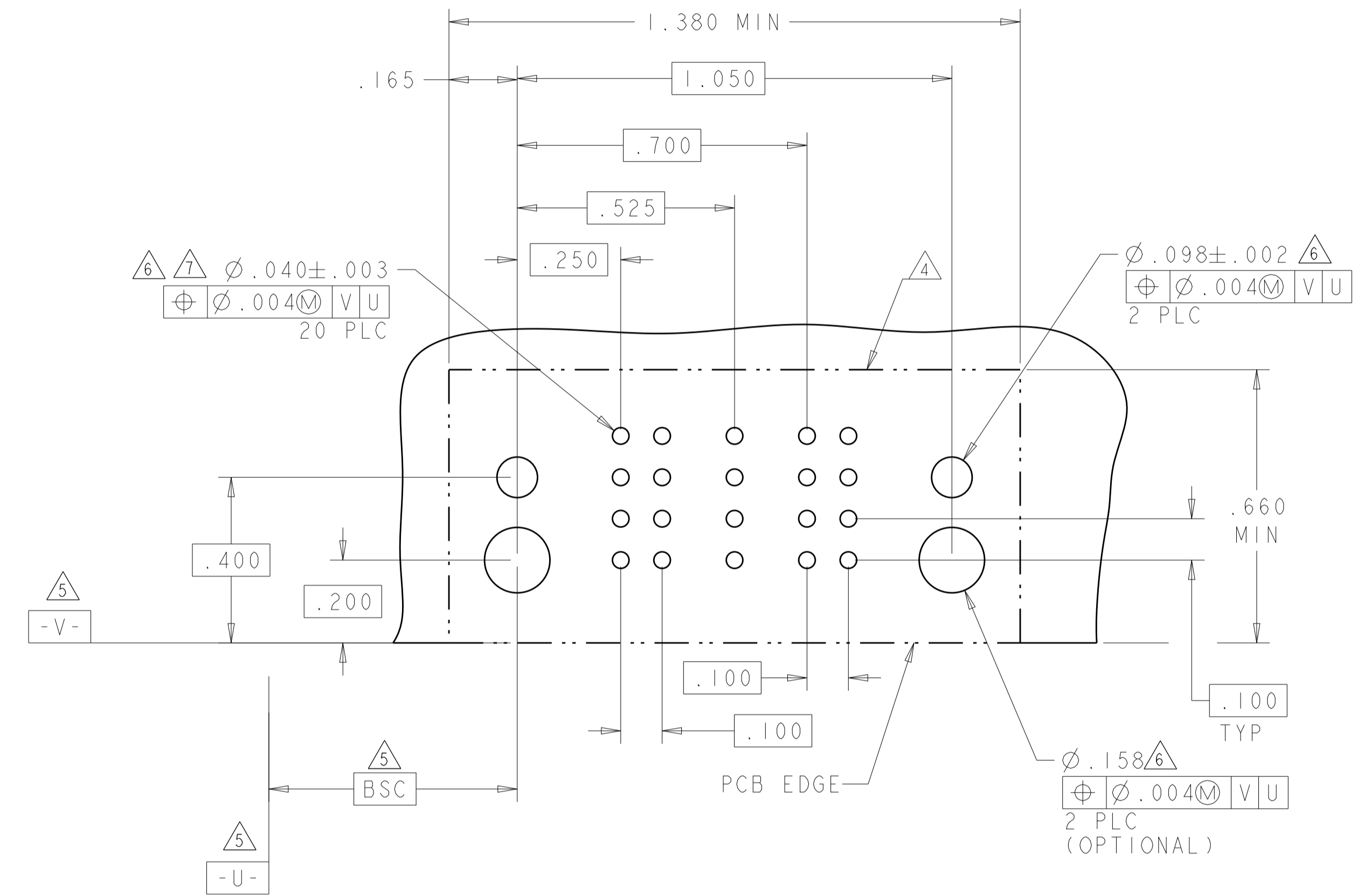
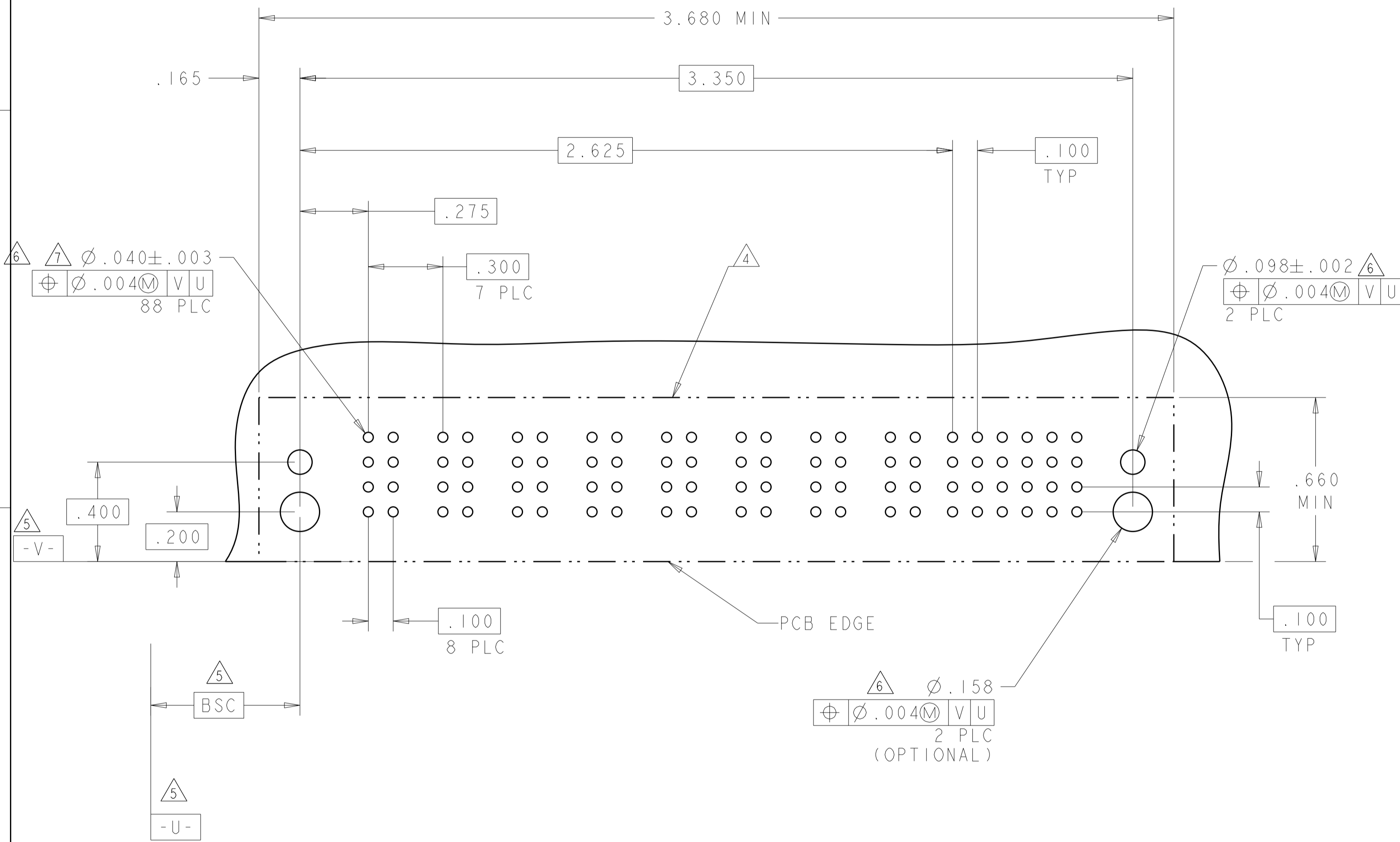
NAME: RIGHT ANGLE HEADER ASSEMBLY W/END LATCHES MULTI-BEAM XL
SIZE: A1
CAGE CODE: 00779
DRAWING NO: 6450528
SCALE: 4:1
SHEET: 3 OF 7
REV: B

STE TE Connectivity

LOC	DIST	REVISIONS			
ES	00	REV	DATE	BY	APPR
		-	SEE SHEET 1		

PART NUMBER	ROWS	POWER								SIGNAL							
		P1	P2	P3	P4	P5	P6	P7	P8	1	2	3	4	5	6		
6450528-3	D	PT	PT	PT	PT	PT	PT	PT	PT	Z5	Z5	Z5	Z5	Z5	Z5		
	C									Y5	Y5	Y5	Y5	Y5	Y5		
	B									R5	R5	R5	R5	R5	R5		
	A									O5	O5	O5	O5	O5	O5		
8ACP + 24S		[HD]										[HD]					

PART NUMBER	ROWS	POWER		SIGNAL		POWER	
		P1	P2	I	P2		
6450528-4	D	[PT]	[PT]	Z5	[PT]	[PT]	[HD]
	C			Y5			
	B			R5			
	A			O5			
IP + 4S + IP		[HD]				[HD]	

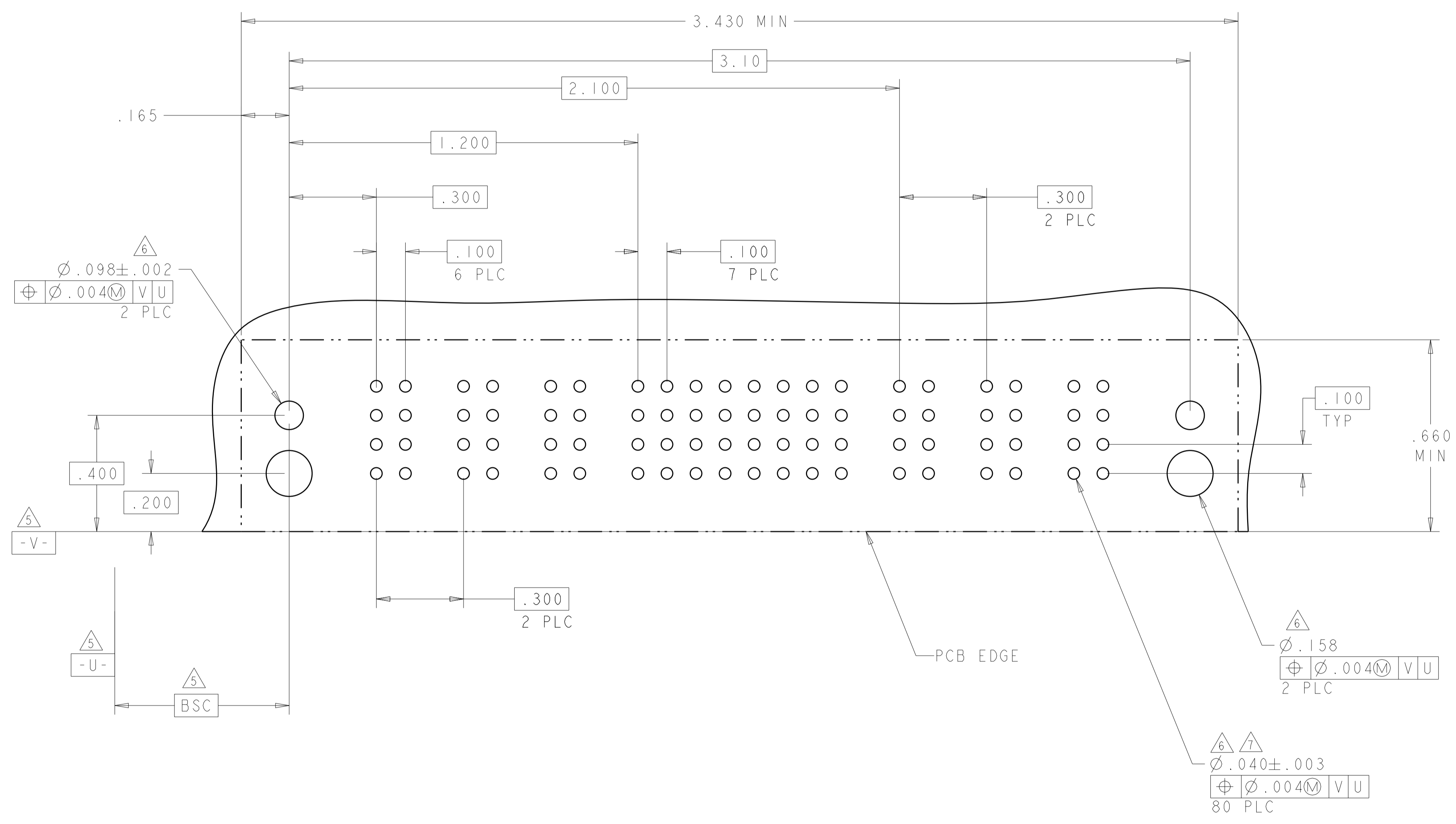


THIS DRAWING IS A CONTROLLED DOCUMENT.		OWN: CECILY.ZHOU 25JUL2006	TE Connectivity NAME: RIGHT ANGLE HEADER ASSEMBLY W/END LATCHES MULTI-BEAM XL SIZE: 114-13038 WEIGHT: - MATERIAL: - FINISH: -	RESTRICTED TO: - SCALE: 4:1 SHEET: 4 OF 7 REV: B
DIMENSIONS: INCHES	TOLERANCES UNLESS OTHERWISE SPECIFIED:	CHK: S.ZHAO 25JUL2006		
		APPR: S.ZHAO 25JUL2006		
		PRODUCT SPEC: 108-1973		
		APPLICATION SPEC: 114-13038		
		Customer Drawing		

LOC	DIST	REVISIONS					
ES	00	P	LTN	DESCRIPTION	DATE	DMN	APVD
		-		SEE SHEET 1			

PART NUMBER	ROWS	POWER			SIGNAL								POWER		
		P1	P2	P3	1	2	3	4	5	6	7	8	P4	P5	P6
6450528-5	D				Z5	Z5	Z5	Z5	Z5	Z5	Z5	Z5			
	C				Y5	Y5	Y5	Y5	Y5	Y5	Y5	Y5	PT	PT	PT
	B				R5	R5	R5	R5	R5	R5	R5	R5			
	A	HD			O5	O5	O5	O5	O5	O5	O5	O5			HD

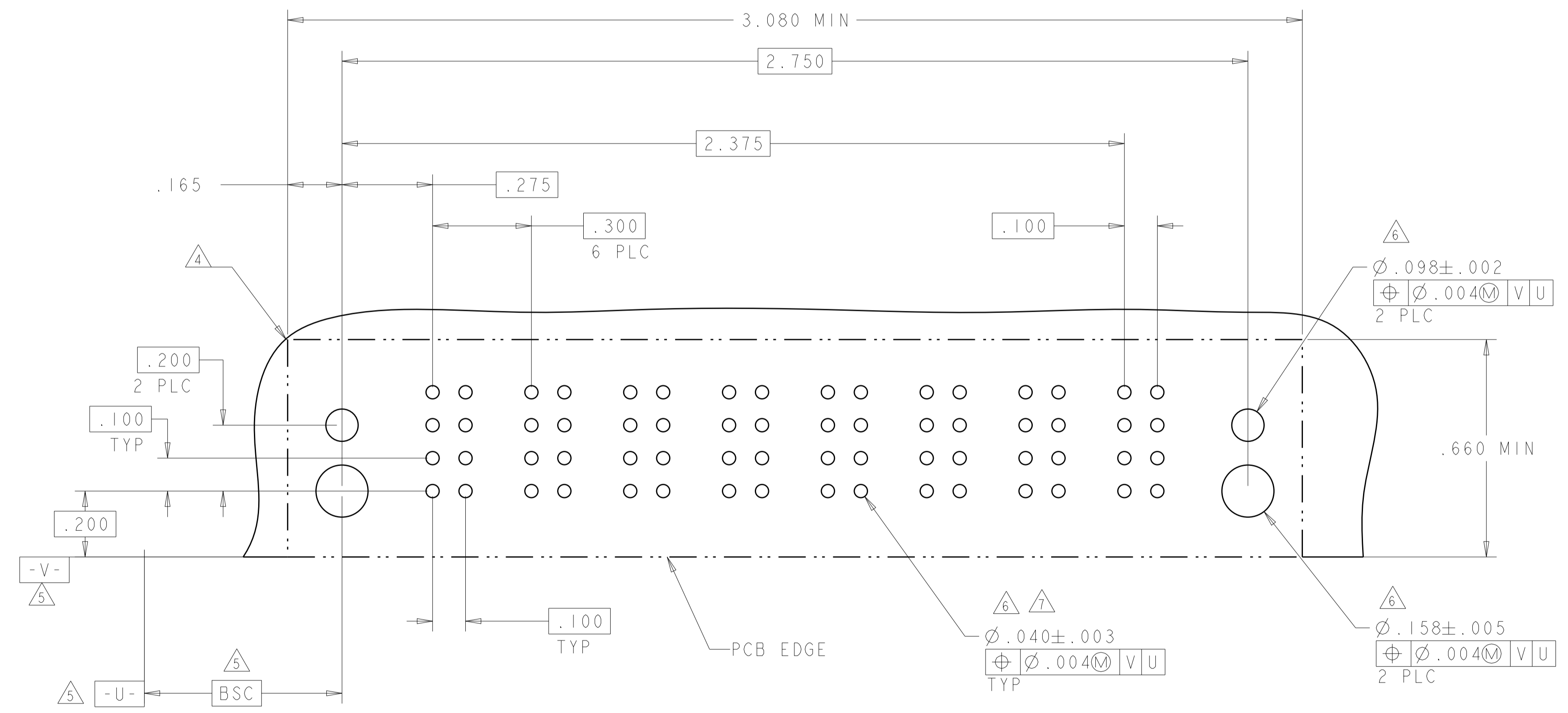
3ACP + 32S + 3ACP



THIS DRAWING IS A CONTROLLED DOCUMENT.		DMN: G. CECILY, ZHOU CHK: S. ZHAO APVD: S. ZHAO	25JUL2006 25JUL2006 25JUL2006	TE Connectivity NAME: RIGHT ANGLE HEADER ASSEMBLY W/END LATCHES MULTI-BEAM XL
DIMENSIONS: INCHES	TOLERANCES UNLESS OTHERWISE SPECIFIED:	PRODUCT SPEC: 108-1973 APPLICATION SPEC: 114-13038 WEIGHT: - CUSTOMER DRAWING		
0 PLC ± 1 PLC ±.01 2 PLC ±.01 3 PLC ±.005 4 PLC ±.0020 ANGLES ±.2°	FINISH: - MATERIAL: -	SIZE: A1 CAGE CODE: 6450528 SCALE: 4:1 SHEET: 5 of 7 REV: B		RESTRICTED TO: -

LOC	DIST	REVISIONS			
P	LTN	DESCRIPTION	DATE	DMN	APVD
-	-	SEE SHEET 1	-	-	-

PART NUMBER	ROWS	POWER							SIGNAL		
		P1	P2	P3	P4	P5	P6	P7	1	2	
6450528-6	D	HD	PT	PT	PT	PT	PT	PT	Z5	Z5	HD
	C								Y5	Y5	
	B								R5	R5	
	A								O5	O5	
7ACP + 8S											

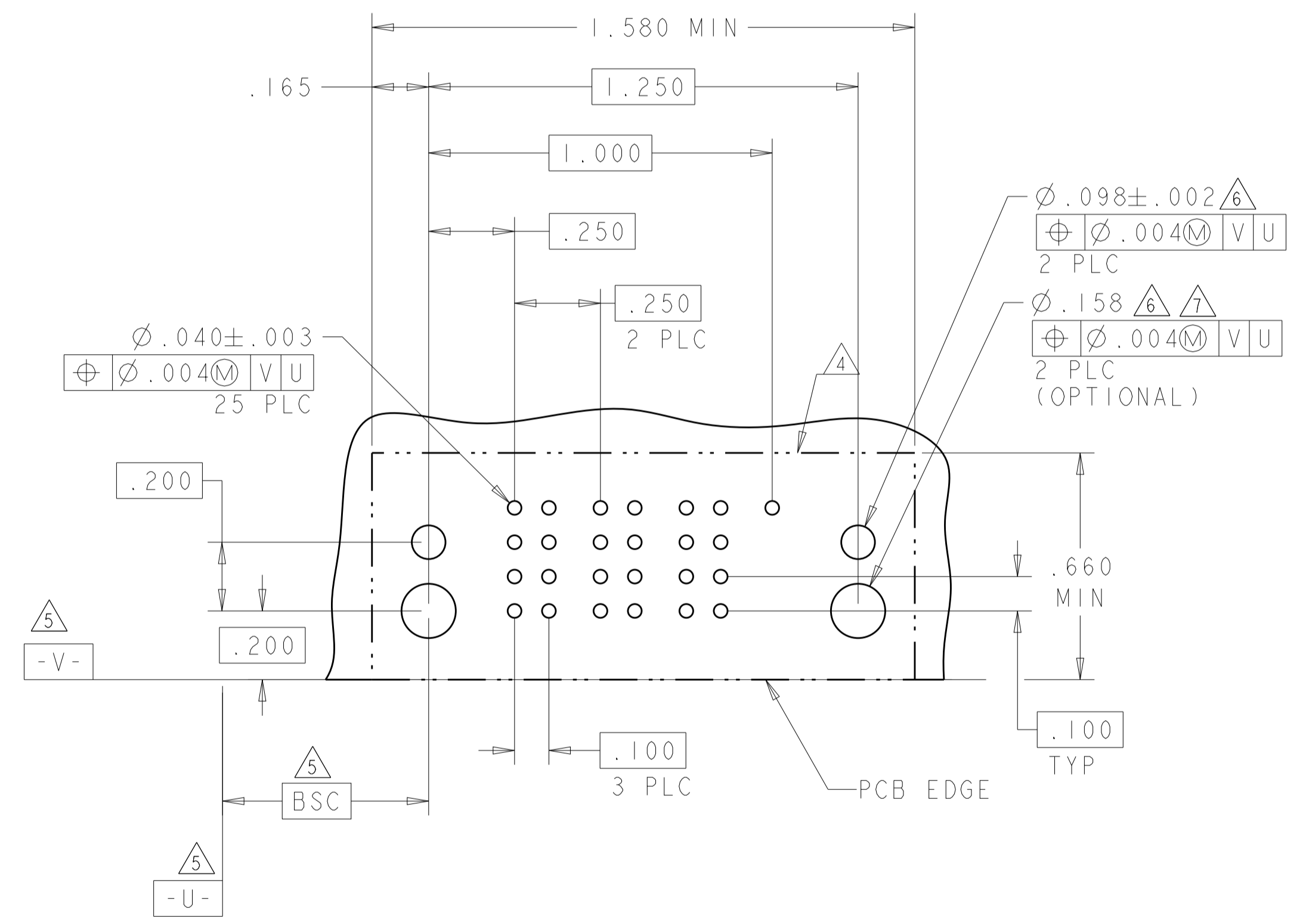
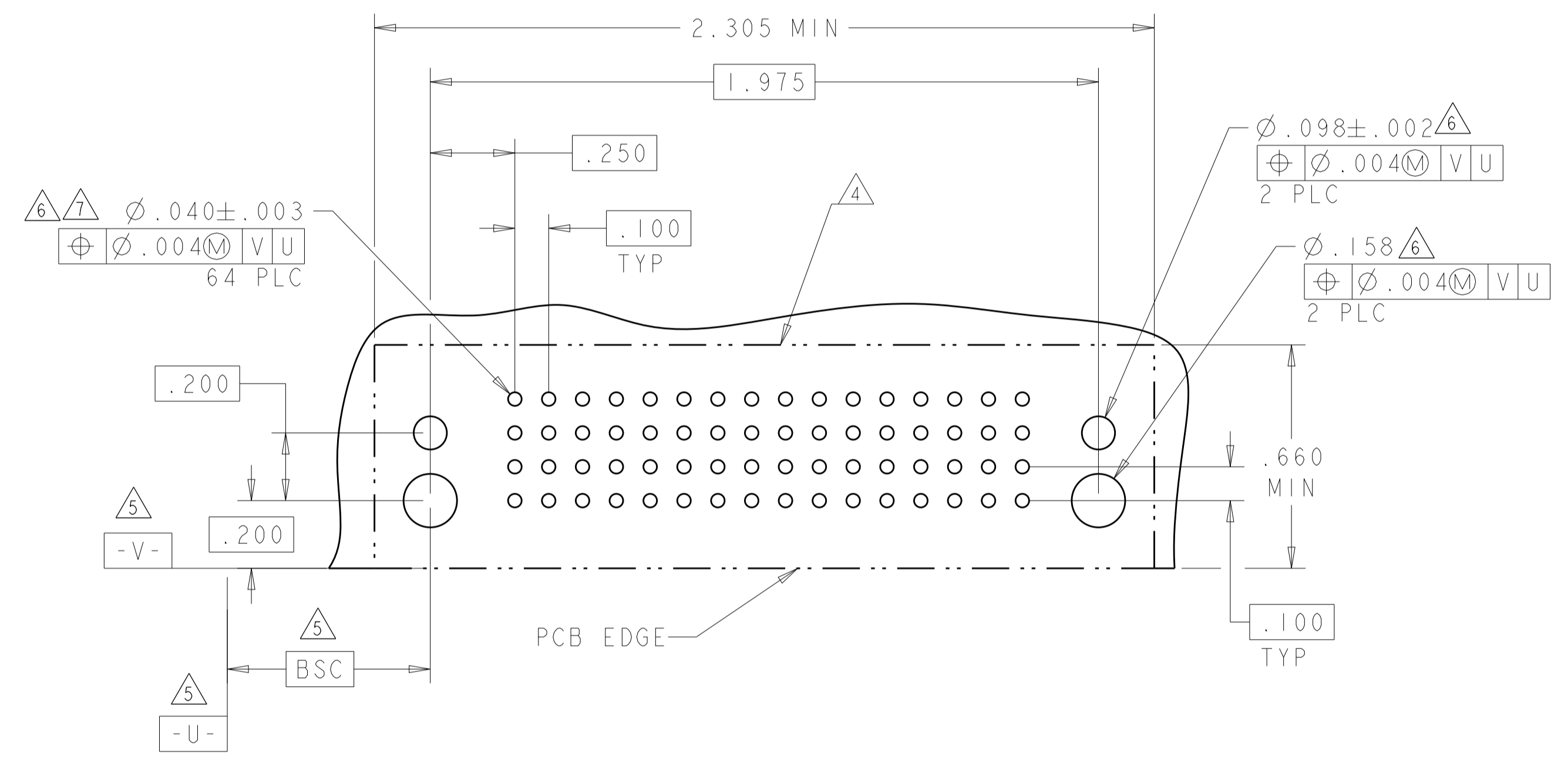


THIS DRAWING IS A CONTROLLED DOCUMENT.		DMN: CECILY.ZHOU 25JUL2006	TE Connectivity
DIMENSIONS: INCHES		CHK: S.ZHAO 25JUL2006	
		APVD: S.ZHAO 25JUL2006	NAME: RIGHT ANGLE HEADER ASSEMBLY W/END LATCHES MULTI-BEAM XL
TOLERANCES UNLESS OTHERWISE SPECIFIED:		PRODUCT SPEC: 108-1973	SIZE: A100779
0 PLC ±.01		APPLICATION SPEC: 114-13038	CAGE CODE: 6450528
1 PLC ±.01		WEIGHT: -	RESTRICTED TO: -
2 PLC ±.005		CUSTOMER DRAWING	SCALE: 4:1
3 PLC ±.002		SCALE: 4:1	SHEET 6 OF 7
4 PLC ±.002		SCALE: 4:1	REV B
ANGLES: ±.2°		SCALE: 4:1	REV B
FINISH: -		SCALE: 4:1	REV B

LOC	DIST	REVISIONS			
ES	00	REV	DATE	BY	APPD
		-	SEE SHEET 1	-	-

PART NUMBER	ROWS	SIGNAL														POWER				
		1	2	3	4	5	6	7	8	9	10	11	12	13	14	15	16	P5	P6	P7
6450528-7	D C B A	Z5	Z5	Z5	Z5	Z5	Z5	Z5	Z5	Z5	Z5	Z5	Z5	Z5	Z5	Z5				
		Y5	Y5	Y5	Y5	Y5	Y5	Y5	Y5	Y5	Y5	Y5	Y5	Y5	Y5	Y5				
		R5	R5	R5	R5	R5	R5	R5	R5	R5	R5	R5	R5	R5	R5	R5				
64S		05	05	05	05	05	05	05	05	05	05	05	05	05	05					

PART NUMBER	ROWS	POWER			SIGNAL
		P1	P2	P3	I
6450528-8	D C B A				Z5
		PT	PT	PT	
3P + 4S					



NO CONTACTS LOADED

THIS DRAWING IS A CONTROLLED DOCUMENT. DWG: GECILY.ZHO 25JUL2006
CHK: S.ZHAO 25JUL2006
APPD: S.ZHAO 25JUL2006

STE TE Connectivity

NAME: RIGHT ANGLE HEADER ASSEMBLY W/END LATCHES MULTI-BEAM XL

PRODUCT SPEC: 108-1973
APPLICATION SPEC: 114-13038

SIZE: A100779 C=6450528
SCALE: 4:1 SHEET 7 OF 7 REV B

MATERIAL: - FINISH: - WEIGHT: - CUSTOMER DRAWING