

THIS DRAWING IS UNPUBLISHED.

RELEASED FOR PUBLICATION

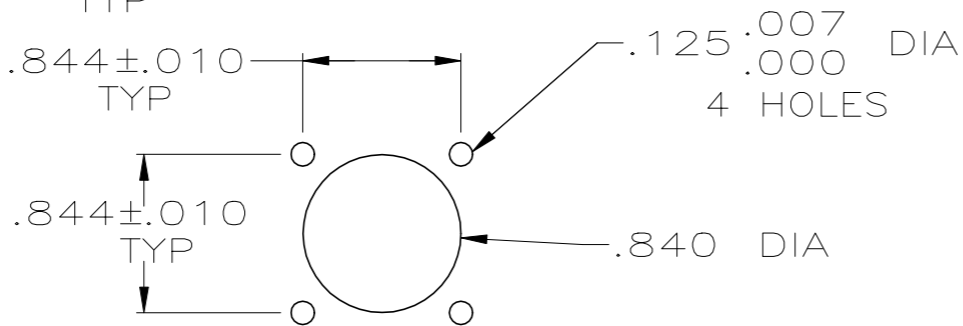
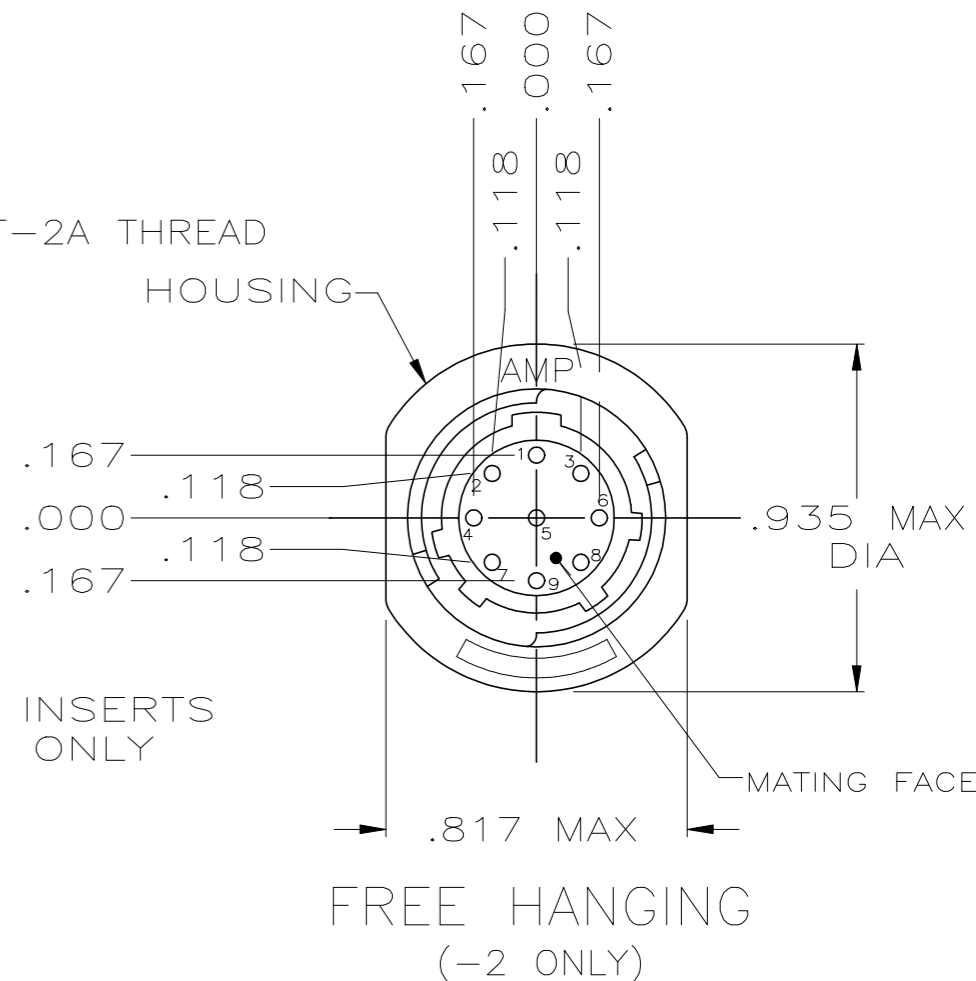
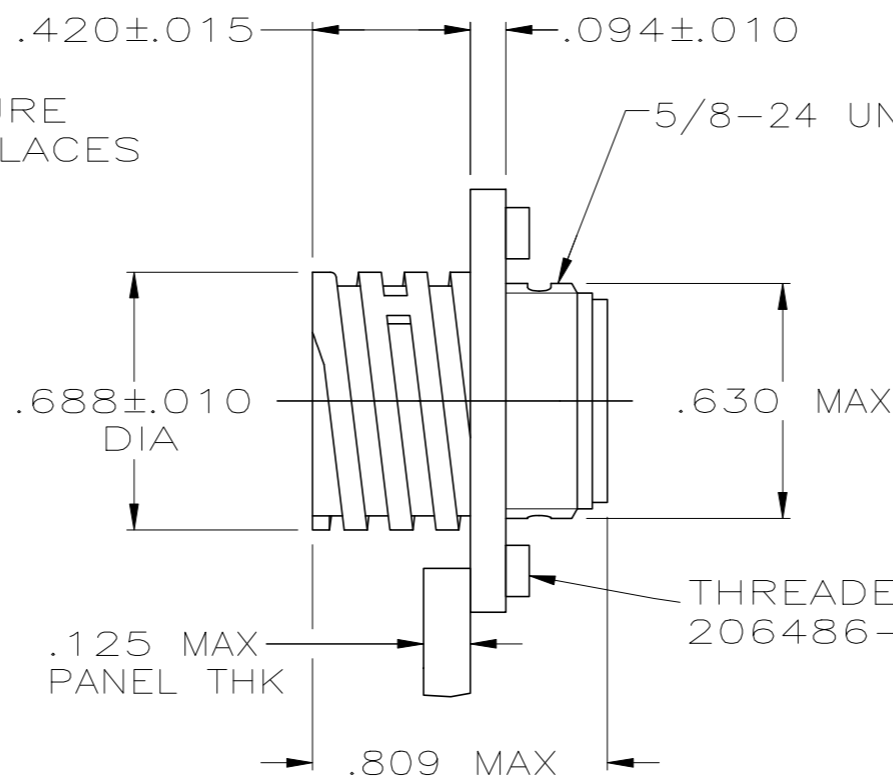
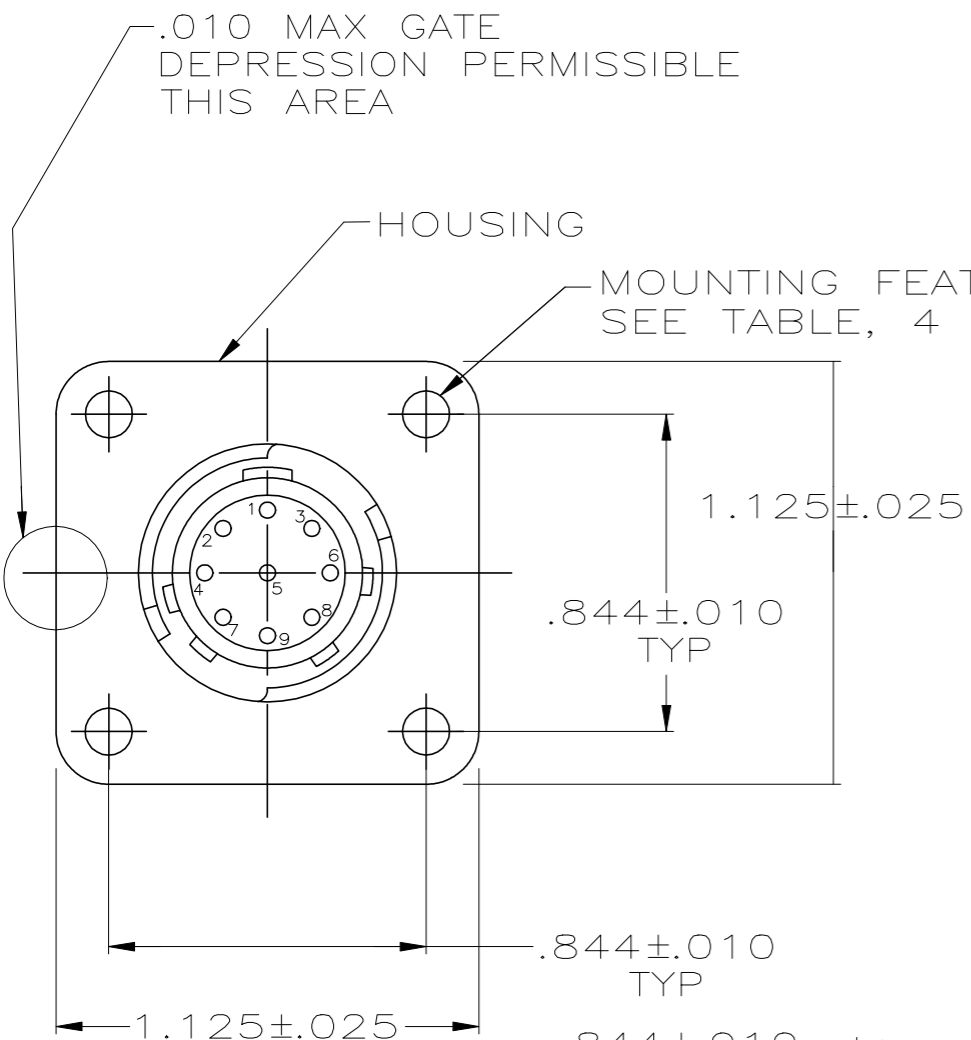
--

© COPYRIGHT - By -

ALL RIGHTS RESERVED.

REVISIONS

P	LTR	DESCRIPTION	DATE	DWN	APVD
	K1	REVISED PER ECO-11-004587	11MAR11	RK	HMR
	L	REVISED PER ECO-19-014836	21OCT2019	RS	MZ



PANEL CUTOUT SCALE 1:1

#4-40 THREADED INSERTS	206486-6
ø.125 HOLES	206486-2
ø.125 HOLES	206486-1
MOUNTING FEATURE	PART NUMBER

- CONTACT CAVITIES IDENTIFIED BY CHARACTERS ON FRONT AND REAR FACES OF CONNECTOR.
- WILL ACCEPT (9) SIZE 20 PIN CONTACTS.



MATERIALS:
 HOUSINGS: PA 66, BLACK
 THREADED INSERT: BRASS

THIS DRAWING IS A CONTROLLED DOCUMENT.		DWN A.STAUB BG 4/1/91	STE TE Connectivity	
DIMENSIONS: INCHES		CHK W.G.LENKER 7-27-92		
TOLERANCES UNLESS OTHERWISE SPECIFIED:		APVD K.BEAVER 7-27-92	NAME RECEPTACLE ASSEMBLY, STD SEX, SERIES 2, 11-9, CPC	
0 PLC ± - 1 PLC ± - 2 PLC ± - 3 PLC ± .005 4 PLC ± - ANGLES ± -		PRODUCT SPEC 108-10024	RESTRICTED TO	
MATERIAL 3		FINISH -	WEIGHT -	SIZE A3
			CAGE CODE 00779	DRAWING NO C=206486
		CUSTOMER DRAWING	SCALE 2:1	SHEET 1 OF 1
			REV L	