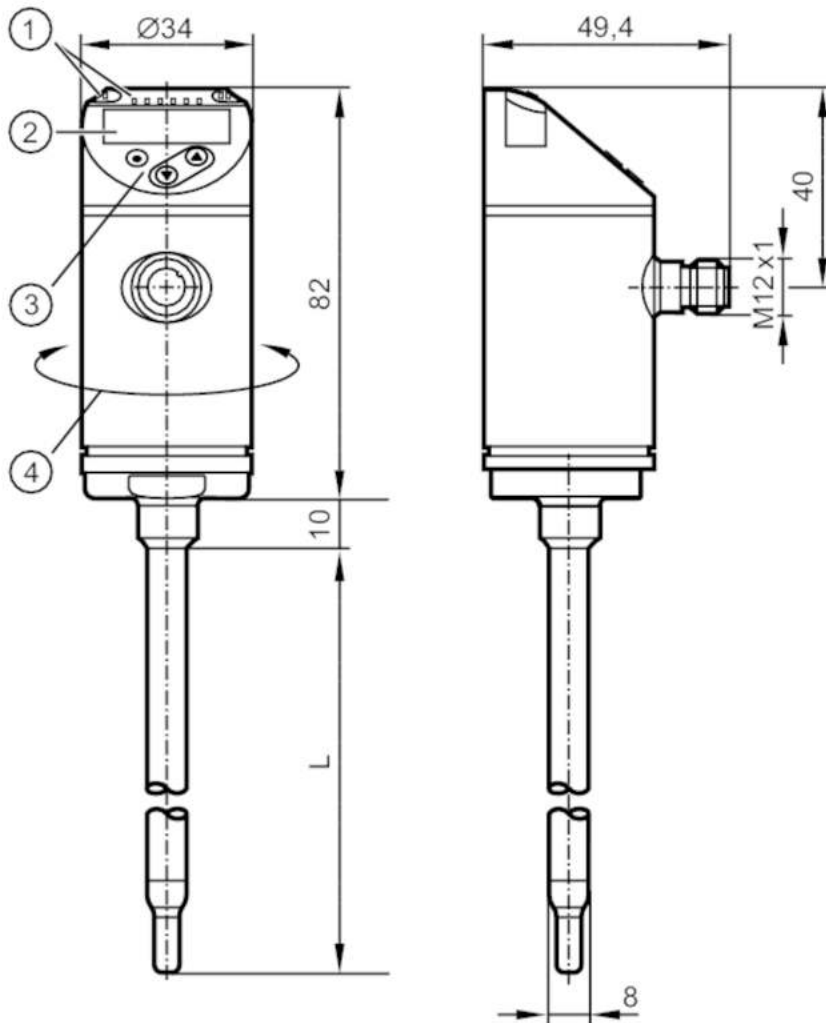


SA4300



Flow sensor

SAEXXXBFRKG/US-100



- L 200 mm
- 1 LEDs Display unit / switching status
- 2 alphanumeric display 4-digit red/green
- 3 programming buttons
- 4 upper part of the housing can be rotated 345°

ACS CE CRN c UL US LISTED DNV DNV.COM/AF EC 1935/2004 FCM FDA IO-Link KTW/W270 Reg31 UK CA

Product characteristics

Number of inputs and outputs	Number of digital outputs: 2; Number of analogue outputs: 1
Process connection	diameter \varnothing 8 mm

Application

Special feature	Gold-plated contacts
Media	water; glycol solutions; air; oils
Note on media	low-viscosity oils with viscosity: ≤ 40 mm ² /s (40 °C) high-viscosity oils with viscosity: > 40 mm ² /s (40 °C)
Medium temperature [°C]	-20...100
Pressure rating [bar]	50
Pressure rating [Mpa]	5
MAWP (for applications according to CRN) [bar]	50

SA4300



Flow sensor

SAEXXXBFRKG/US-100

Electrical data	
Operating voltage [V]	18...30 DC
Current consumption [mA]	< 100
Protection class	III
Reverse polarity protection	yes
Power-on delay time [s]	10
Inputs / outputs	
Number of inputs and outputs	Number of digital outputs: 2; Number of analogue outputs: 1
Outputs	
Total number of outputs	2
Output signal	switching signal; analogue signal; frequency signal; IO-Link; (configurable)
Electrical design	PNP/NPN
Number of digital outputs	2
Output function	normally open / normally closed; (parameterisable)
Max. voltage drop switching output DC [V]	2.5
Permanent current rating of switching output DC [mA]	250
Number of analogue outputs	1
Analogue current output [mA]	4...20; (scalable)
Max. load [Ω]	350
Short-circuit protection	yes
Type of short-circuit protection	pulsed
Overload protection	yes
Frequency of the output [Hz]	0...1000
Measuring/setting range	
Probe length L [mm]	200
Operating mode	relative; absolutely liquid; absolutely gaseous; (absolute: reference measurement recommended; Factory setting: relative)
Temperature monitoring	
Measuring range [$^{\circ}\text{C}$]	-20...100
Resolution [$^{\circ}\text{C}$]	0.2
Liquid media - absolute operating mode	
Setting range [m/s]	0.04...3
Greatest sensitivity [m/s]	0.04...3
Liquid media - relative operating mode	
Setting range [m/s]	0.04...6
Greatest sensitivity [m/s]	0.04...3
Gases - operating mode "absolute"	
Setting range [m/s]	0...100
Greatest sensitivity [m/s]	30...100
Gases - operating mode "relative"	
Setting range [m/s]	0...200

SA4300



Flow sensor

SAEXXXBFRKG/US-100

Greatest sensitivity	[m/s]	30...100
Accuracy / deviations		
Temperature drift	[cm/s x 1/K]	0,003 m/s x 1/K (< 20 °C; > 70 °C)
Temperature gradient	[K/min]	100
Absolute operating mode		
Repeatability		0,05 m/s; (water; flow velocity: 0,05...3 m/s)
Relative operating mode		
Accuracy		± (7 % MW + 2 % MEW); (for relative mode in the range of maximum sensitivity under the following conditions:; water: 20...70 °C; inlet length: 1.5 m; DN25 (DIN 2448); mounting position according to instructions; Accuracy can differ for other media and mounting positions.)
Repeatability		0,05 m/s; (water; flow velocity: 0,05...3 m/s)
Temperature monitoring		
Temperature drift		± 0,005 K/°C
Accuracy	[K]	± 0,3 / ± 1; (water; flow velocity: 0,3...3 m/s / air; flow velocity: > 10 m/s)
Response times		
Response time	[s]	0.5; (T09; water; glycol: 0,8 s; air: 7 s; oil: 1,8 s; each T09)
Temperature monitoring		
Dynamic response T05 / T09	[s]	1,5 (T09); (water; flow velocity: 0,3...3 m/s)
Software / programming		
Parameter setting options		hysteresis / window; normally open / normally closed; switching logic; current/frequency output; medium selection; Damping; Teach function; display can be rotated and switched off; standard unit of measurement; process value colour
Interfaces		
Communication interface		IO-Link
Transmission type		COM2 (38,4 kBaud)
IO-Link revision		1.1
SDCI standard		IEC 61131-9
Profiles		Smart Sensor: Process Data Variable; Device Identification, Device Diagnosis
SIO mode		yes
Required master port type		A
Process data analogue		2
Process data binary		2
Min. process cycle time	[ms]	3
Supported DeviceIDs	Type of operation	DeviceID
	Factory setting / ModE = (REL)	533
	ModE = (LIQU)	540
	ModE = (GAS)	547
Operating conditions		
Ambient temperature	[°C]	-40...80
Storage temperature	[°C]	-40...100
Protection		IP 65; IP 67
Tests / approvals		
EMC		DIN EN 60947-5-9

SA4300



Flow sensor

SAEXXXBFRKG/US-100

Shock resistance	DIN EN 60068-2-27	50 g (11 ms)
Vibration resistance	DIN EN 60068-2-6	2 g (10...2000 Hz)
MTTF [years]		180
UL approval	UL Approval no.	I017
	File number UL	E174189

Mechanical data

Weight [g]	345.5
Materials	stainless steel (1.4404 / 316L); PBT-GF20; PBT-GF30
Materials (wetted parts)	stainless steel (1.4404 / 316L)
Process connection	diameter Ø 8 mm

Displays / operating elements

Display	Display unit	6 x LED, green (% , m/s, l/min, m ³ /h, °C, 10 ³)
	switching status	2 x LED, yellow
	measured values	alphanumeric display, red/green 4-digit

Remarks

Remarks	MW = measured value
	MEW = Final value of the measuring range
Pack quantity	1 pcs.

Electrical connection

Connector: 1 x M12; coding: A; Contacts: gold-plated



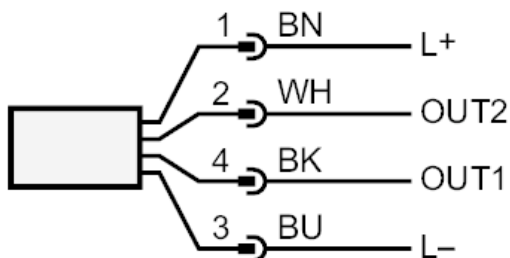
SA4300



Flow sensor

SAEXXXBFRKG/US-100

Connection



colours to DIN EN 60947-5-2

OUT1:

- switching output volumetric flow quantity monitoring
- frequency output volumetric flow quantity monitoring
- IO-Link

OUT2:

- switching output volumetric flow quantity monitoring
- switching output Temperature monitoring
- analogue output volumetric flow quantity monitoring
- analogue output Temperature monitoring
- frequency output volumetric flow quantity monitoring
- frequency output Temperature monitoring
- input External Teach

Core colours :

- BK = black
- BN = brown
- BU = blue
- WH = white