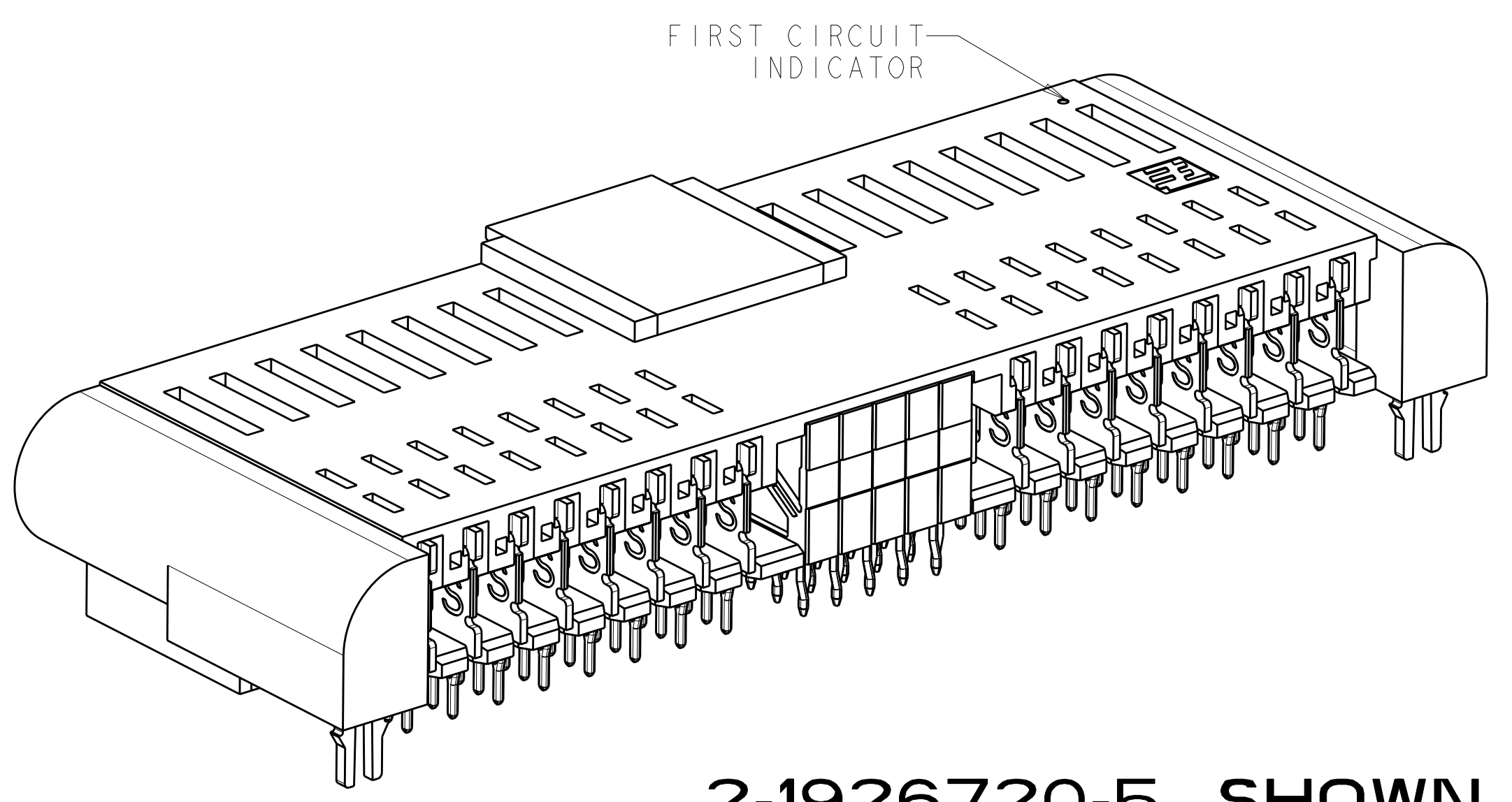
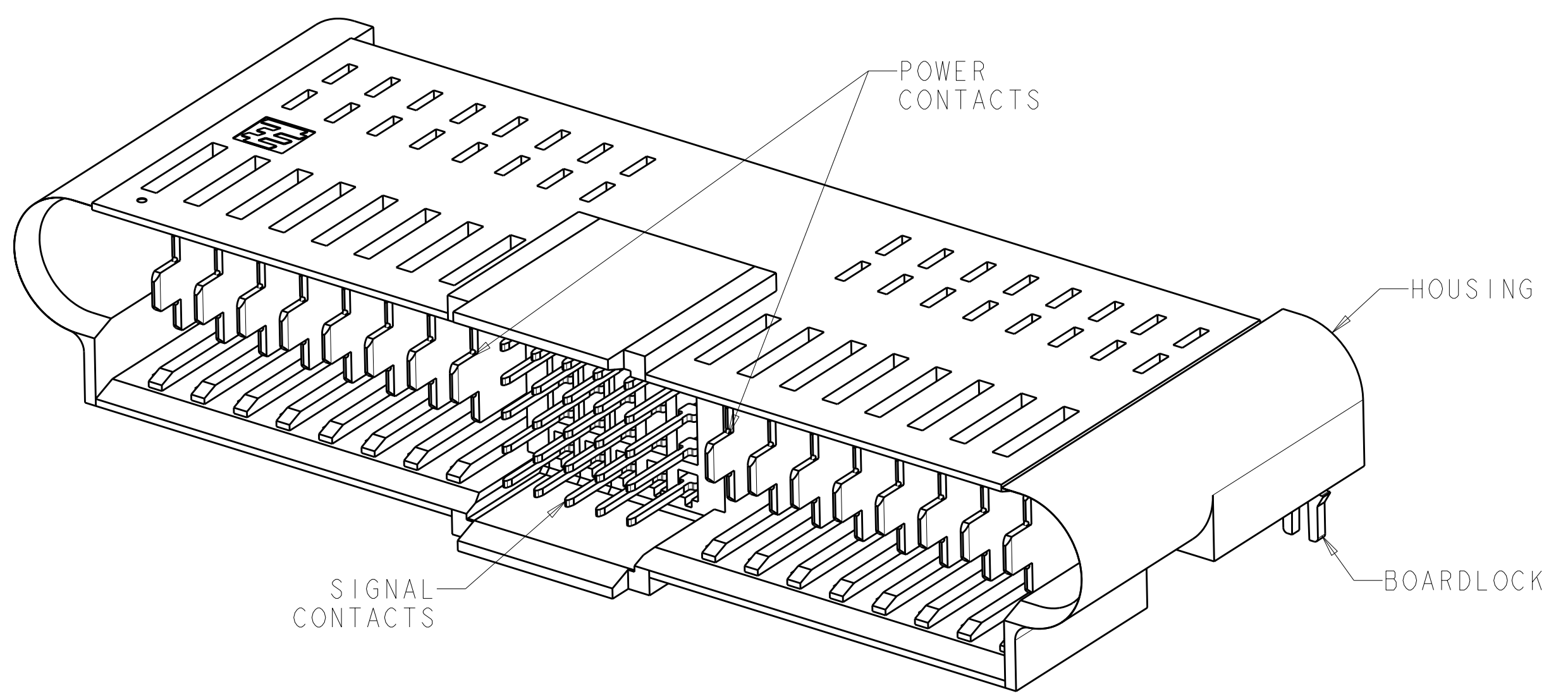


LOC	DIST	REVISIONS			
P	LTR	DESCRIPTION	DATE	OWN	APVD
A		PER ECO-09-012369	22MAY2009	GIP	ECW
B		ECO-09-013491	20AUG2009	LAM	EW
C		ECO-09-028526	04JAN2010	LAW	EW



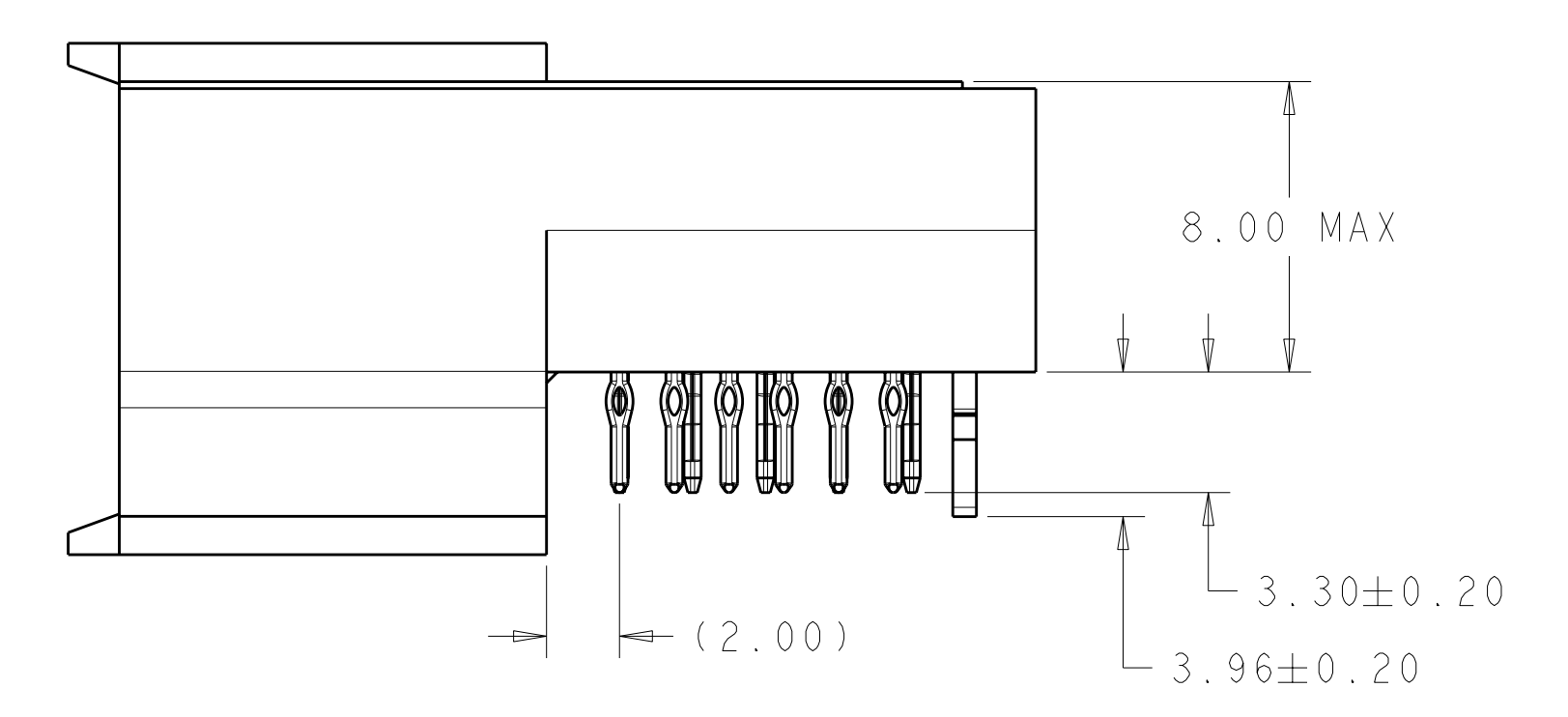
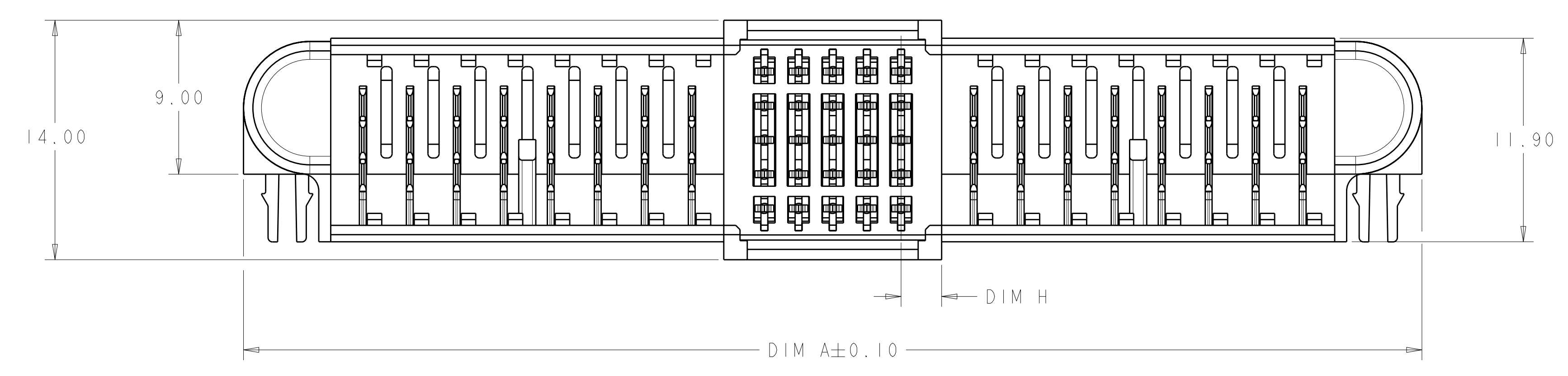
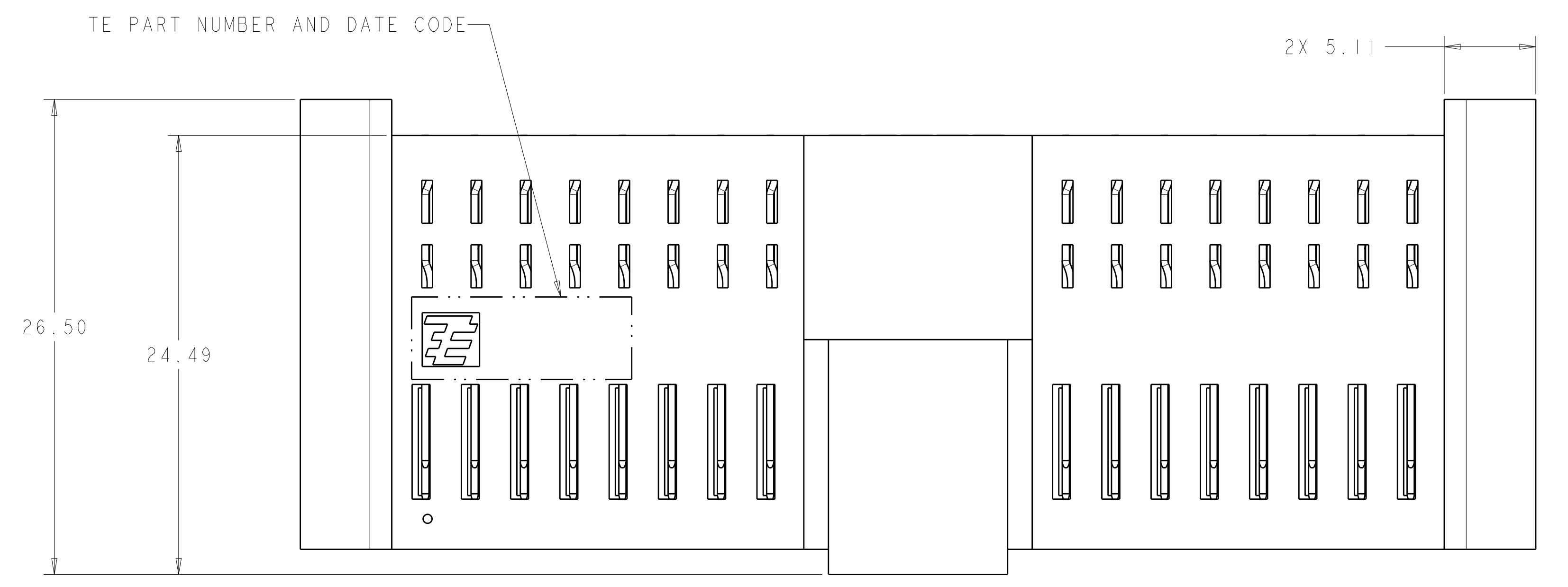
2-1926720-5 SHOWN

- HOUSING: GLASS FILLED LIQUID CRYSTAL POLYMER, COLOR: BLACK, UL 94 V-0 RATED
 SIGNAL CONTACT: PHOSPHOR BRONZE
 SIGNAL OVERMOLD: GLASS FILLED POLYESTER
 POWER CONTACT: COPPER ALLOY
 BOARD LOCK: PHOSPHOR BRONZE
 - SIGNAL CONTACT: 0.00127mm MIN NICKEL ALL OVER,
 MATING AREA: 0.00076mm MIN GOLD OR 0.00008mm MIN GOLD OVER
 0.00076mm MIN PALLADIUM-NICKEL
 TAIL AREA: 0.0005mm MIN MATTE TIN
 POWER CONTACT: 0.00127mm MIN NICKEL ALL OVER,
 MATING AREA: 0.00076mm MIN GOLD OR
 0.00008mm MIN GOLD OVER 0.00076mm MIN PALLADIUM-NICKEL,
 TAIL AREA: 0.0005mm MIN MATTE TIN
 BOARD LOCK: 0.00076mm MIN MATTE TIN OVER
 0.00127mm MIN NICKEL.
 - CONTACT MATING AREA LUBRICATED WITH BELLCORE APPROVED LUBRICANT,
 TECHNICAL REFERENCE: GR-1217-CORE, ISSUE 1, NOVEMBER 1995.
 - THIS CONNECTOR EMPLOYS UL RECOGNIZED Z-PACK 2mm HM SIGNAL CONTACTS
- △ DATUMS AND BASIC DIMENSIONS TO BE ESTABLISHED BY CUSTOMER.
 △ PC BOARD THICKNESS 1.4mm MIN, FOR WAVE SOLDER PC BOARD THICKNESS 2.62 MAX
 △ SEE APPLICATION SPEC 114-13215 FOR PLATED THROUGH HOLE INFORMATION
 8. SEE CUSTOMER DRAWING 1926721 OR 1926723 FOR MATING CONNECTOR
 △ UNPLATED HOLES

2.375	4.250	48	25	7	4	63.85	68.96	8P X 25S X 8P	2-1926720-5
3.00	4.875	36	15	5	2	50.10	55.21	6P X 15S X 6P	1-1926720-6
3.00	4.875	24	15	1	2	28.10	33.21	2P X 15S X 2P	1926720-2
DIM H	DIM G	F SPACES	E PLACES	D SPACES	C SPACES	DIM B	DIM A	DESCRIPTION	PART NUMBER

DIMENSIONS: mm 		TOLERANCES UNLESS OTHERWISE SPECIFIED: 9 PLC ± 1 PLC ±0.13 5 PLC ± 4 PLC ± ANGLES ±		DWN P BRANDBERG 21NOV07 CHK N REESER 21NOV07 APVD N REESER 21NOV07		Tyco Electronics Harrisburg, PA 17105-3608	
MATERIAL SEE NOTE 1 FINISH SEE NOTE 2		WEIGHT CUSTOMER DRAWING		NAME ASSEMBLY, RIGHT ANGLE PLUG, POWER/SIGNAL/POWER, PASSIVE GUIDE, WITH BOARDLOCK, MINIPAK HDL PRODUCT SPEC 108-2325 APPLICATION SPEC 114-13215 SIZE CAGE CODE DRAWING NO A100779C=1926720		RESTRICTED TO SCALE 4:1 SHEET 1 OF 3 REV C	

LOC	DIST	REVISIONS					
AA	00	P	LTR	DESCRIPTION	DATE	DWN	APVD
		-	-	SEE SHEET 1	-	-	-

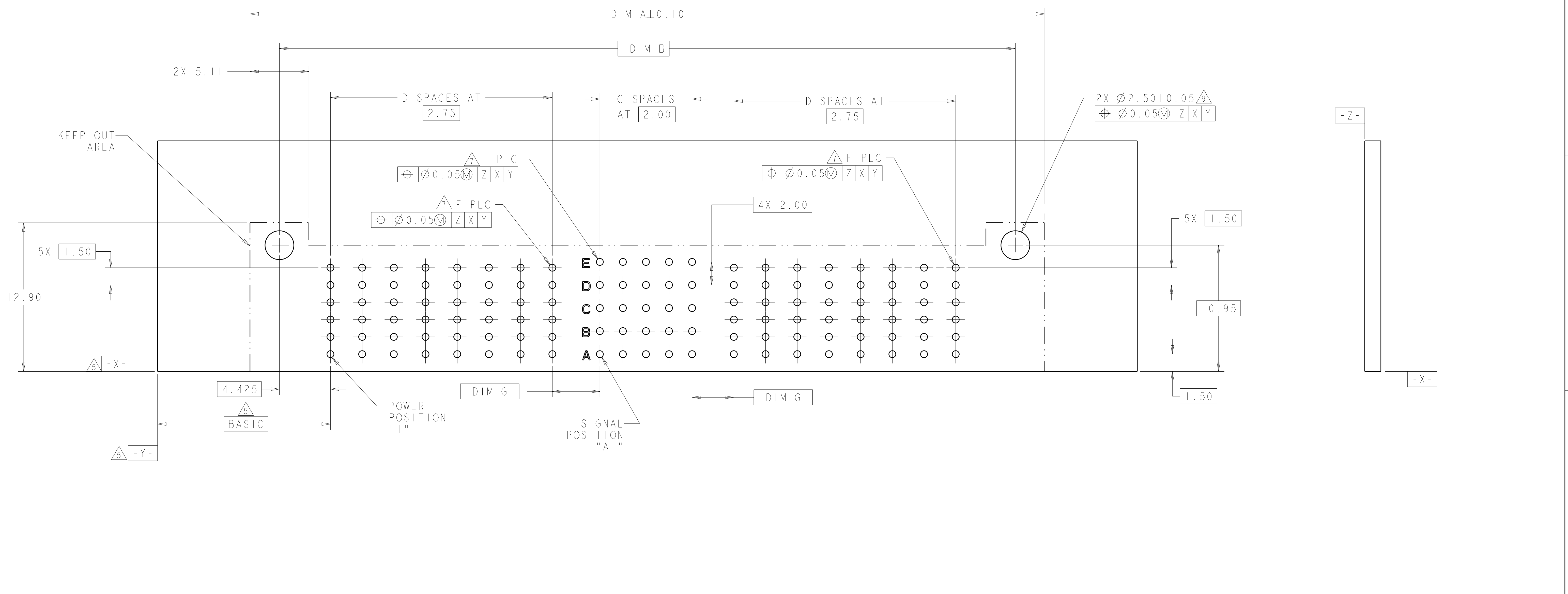


2-1926720-5 SHOWN

<small>THIS DRAWING IS UNPUBLISHED. RELEASED FOR PUBLICATION BY TYCO ELECTRONICS CORPORATION. ALL RIGHTS RESERVED.</small>		DWN P BRANDBERG 21NOV07 CHK N REESER 21NOV07 APVD N REESER 21NOV07	Tyco Electronics Harrisburg, PA 17105-3608
DIMENSIONS: mm 	TOLERANCES UNLESS OTHERWISE SPECIFIED: 9 PLC ± 8 PLC ±0.13 5 PLC ± 4 PLC ± ANGLES ±	NAME ASSEMBLY, RIGHT ANGLE PLUG, POWER/SIGNAL/POWER, PASSIVE GUIDE, WITH BOARDLOCK, MINIPAK HDL PRODUCT SPEC 108-2325 APPLICATION SPEC 114-13215 WEIGHT -	SIZE CAGE CODE DRAWING NO RESTRICTED TO A100779C=1926720 -
MATERIAL SEE NOTE 1 FINISH SEE NOTE 2	CUSTOMER DRAWING	SCALE 4:1 SHEET 2 OF 3 REV C	

LOC	DIST	REV	DATE	BY	APPD
AA	00				

REVISIONS			
REV	DATE	BY	APPD
-	-	-	-
SEE SHEET 1			



2-1926720-5 SHOWN
RECOMMENDED PRINTED CIRCUIT BOARD LAYOUT ⁶
 (AS VIEWED FROM COMPONENT SIDE)
 SCALE 6:1

<small>THIS DRAWING IS UNPUBLISHED. RELEASED FOR PUBLICATION BY TYCO ELECTRONICS CORPORATION. ALL RIGHTS RESERVED.</small>		DWN P BRANDBERG 21NOV07 CHK N REESER 21NOV07 APVD N REESER 21NOV07	Tyco Electronics Harrisburg, PA 17105-3608
DIMENSIONS: mm 	TOLERANCES UNLESS OTHERWISE SPECIFIED: 9 PLC ± 1 PLC ±0.13 5 PLC ± 4 PLC ± ANGLES ±	NAME ASSEMBLY, RIGHT ANGLE PLUG, POWER/SIGNAL/POWER, PASSIVE GUIDE, WITH BOARDLOCK, MINIPAK HDL PRODUCT SPEC 108-2325 APPLICATION SPEC 114-13215 WEIGHT -	SIZE CAGE CODE DRAWING NO RESTRICTED TO A 100779 C-1926720 -
MATERIAL SEE NOTE 1 FINISH SEE NOTE 2	CUSTOMER DRAWING	SCALE 4:1 SHEET 3 OF 3 REV C	