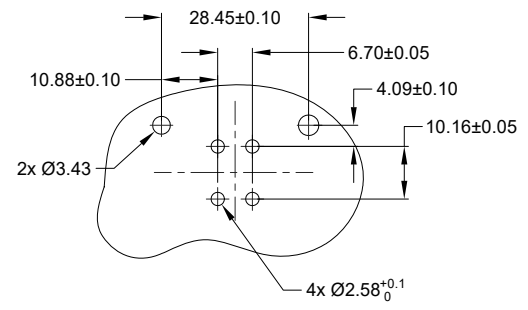
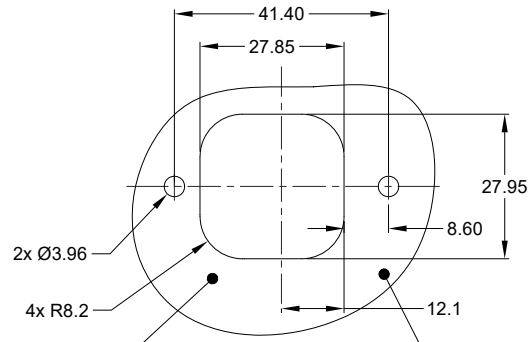
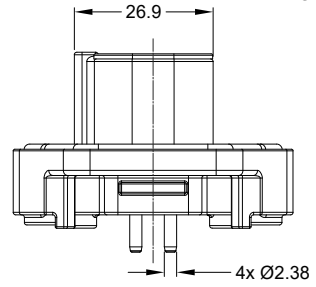
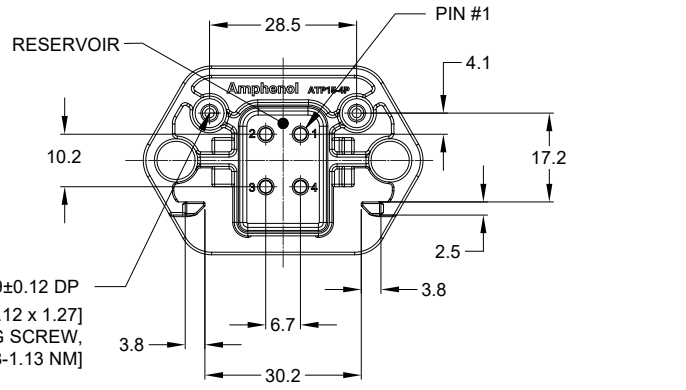
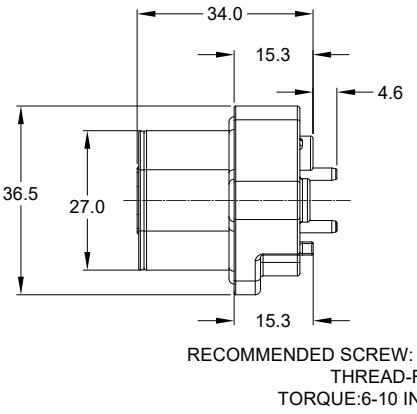
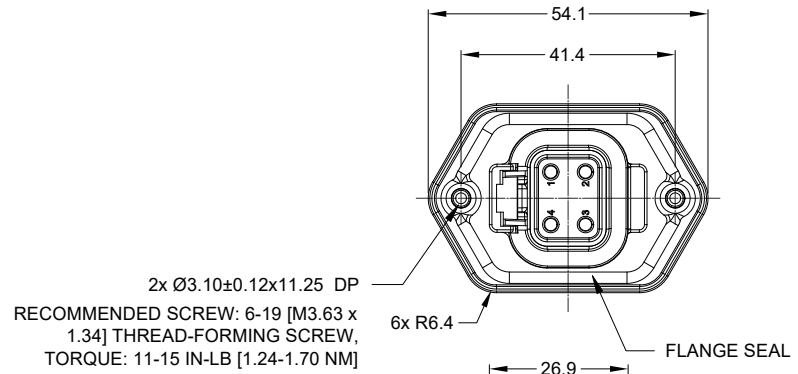


REVISIONS					
REV	ECO	DESCRIPTION	DATE	BY	APPR
A1	-	RELEASE	6JUN19	JAH	TOMMY
A2	-	REVISED DRAWING	10JUL20	JHEAD	DH
A3	-	ADD KEYED	13OCT22	VITO	TOMMY

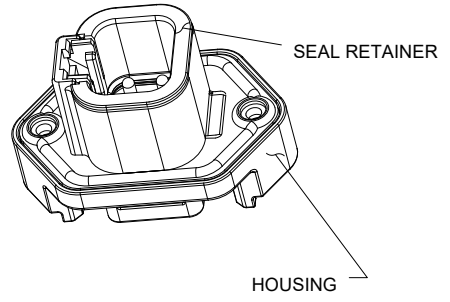


NOTES: UNLESS OTHERWISE SPECIFIED

- MATERIAL:  
 HOUSING: THERMOPLASTIC; COLOR: SEE PART NUMBER CHART  
 SEAL RETAINER: THERMOPLASTIC; COLOR: SEE PART NUMBER CHART  
 SEAL: SILICONE RUBBER; COLOR: RED  
 CONTACT: COPPER ALLOY
- MODIFICATIONS: FLANGE; PCB MOUNT STRAIGHT
- SPECIFICATIONS:
  - CURRENT RATING: 25 AMPS
  - OPERATING TEMPERATURE: -55°C TO +125°C
  - DIELECTRIC WITHSTANDING VOLTAGE: LESS THAN 2 MILLIAMPS CURRENT LEAKAGE @ 1500 VOLTS AC.
  - INSULATION RESISTANCE: 1000 MEGOHMS MIN @ 25°C
  - MOISTURE RESISTANCE:  
 IP68 (IM OF WATER FOR A PERIOD OF 24 HOURS, MATED CONDITION)  
 IP69K (MATED CONDITION)
  - MATING CYCLE DURABILITY: 100 CYCLES
  - RoHS COMPLIANT
- MATING PART: ATP06-4S\* (\* = ALL MODIFICATIONS) PLUGS WITH A,B,C,D KEY WEDGELOCK.
- ALL DIMENSIONS ARE FOR REFERENCE USE ONLY
- POTTED CONNECTORS SPECIFIED FOR UP TO 5 P.S.I. APPLICATIONS.

INTERNAL SEALING SURFACE  
 FINISH TO BE  $\sqrt{0.13}$  OR BETTER

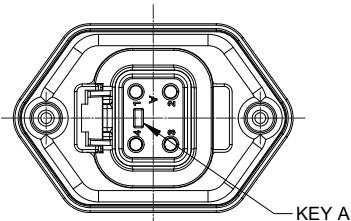
INTERNAL SEALING SURFACE  
 FINISH TO BE  $\sqrt{0.13}$  OR BETTER



SEE PART NUMBER CHART		DESCRIPTION		ITEM
QUANTITY	PART NUMBER			
<b>MATERIALS LIST</b>				
<b>UNLESS OTHERWISE SPECIFIED</b> 1) All dimensions are in metric (mm). 2) Tolerances are as follows: 1 PL DEC ±0.30 Fractions ±1/64 2 PL DEC ±0.15 Angles ±1° 3 PL DEC ±0.08 3) Note reference =		<b>SIGNATURES DATE</b> DRAWN: VITOLJ 13OCT22 CHECKED: SULLENZHANG 14OCT22 APPROVAL: TOMMY XIE 17OCT22		
MATERIAL SPECIFICATIONS:		<b>Amphenol</b> Sine Systems - www.amphenol-sine.com 44724 Morley Drive Clinton Township, MI 48036		
PROCESS SPECIFICATIONS:		BOARDLOCK PCB MOUNT RECEPTACLE, 4 PIN, ST FLANGE, KEYED, ATP SERIES		
NEXT ASSY:		THIS DRAWING IS SUPPLIED FOR INFORMATION ONLY. DESIGN FEATURES, SPECIFICATIONS AND PERFORMANCE DATA SHOWN HEREON ARE THE PROPERTY OF THE AMPHENOL CORPORATION. NO RIGHTS OF REPRODUCTION ARE IMPLIED. ALL DIMENSIONS ARE SUBJECT TO NORMAL MANUFACTURING VARIATIONS.		
		<b>SIZE</b> B C-	<b>TYPE</b> ATP15-4P-X-BM0Xxxx	<b>REVISION</b> A3
		SCALE: NONE		SHEET 1 OF 2

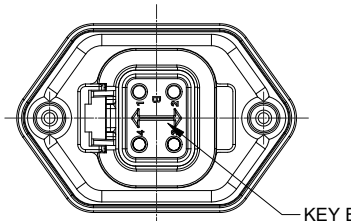
TITLE: BOARDLOCK PCB MOUNT RECEPTACLE 4 PIN ST FLANGE, KEYED, ATP SERIES  
 DWG NO: ATP15-4P-X-BM0Xxxx  
 REV: A3  
 SH: 1  
 OF: 1

ATP15-4PA-BM0X VARIANTS					
CONTACT PLATING	POTTING OR NOT IN RESERVOIR	HOUSING COLOR	RETAINER COLOR	PART NUMBER	WEIGHT (GRAMS)
GOLD	NO POTTING	GRAY	BLACK	ATP15-4PA-BM01	32.6
GOLD	POTTING	GRAY	BLACK	ATP15-4PA-BM02	33.4
TIN	NO POTTING	GRAY	BLACK	ATP15-4PA-BM03	32.6
TIN	POTTING	GRAY	BLACK	ATP15-4PA-BM04	33.4



P/N ATP15-4PA-BM0X  
KEY-A CONFIGURATION

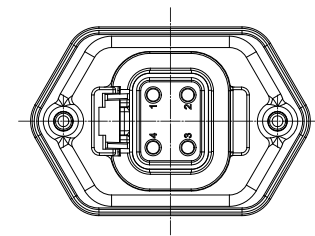
ATP15-4PB-BM0X VARIANTS					
CONTACT PLATING	POTTING OR NOT IN RESERVOIR	HOUSING COLOR	RETAINER COLOR	PART NUMBER	WEIGHT (GRAMS)
GOLD	NO POTTING	BLACK	BLACK	ATP15-4PB-BM01	32.7
GOLD	POTTING	BLACK	BLACK	ATP15-4PB-BM02	33.5
TIN	NO POTTING	BLACK	BLACK	ATP15-4PB-BM03	32.7
TIN	POTTING	BLACK	BLACK	ATP15-4PB-BM04	33.5



P/N ATP15-4PB-BM0X  
KEY-B CONFIGURATION

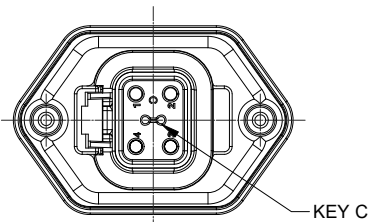
REVISIONS					
REV	ECO	DESCRIPTION	DATE	BY	APPR
A1	-	RELEASE	6JUN19	JAH	TOMMY
A2	-	REVISED DRAWING	10JUL20	JHEAD	DH
A3	-	ADD KEYED	13OCT22	VITO	TOMMY

ATP15-4P-BM0XXXX VARIANTS WEIGHT: 32.0g				
CONTACT PLATING	POTTING OR NOT IN RESERVOIR	HOUSING COLOR	RETAINER COLOR	PART NUMBER
GOLD	NO POTTING	GRAY	GRAY	ATP15-4P-BM01GRY
GOLD	POTTING	GRAY	GRAY	ATP15-4P-BM02GRY
TIN	NO POTTING	GRAY	GRAY	ATP15-4P-BM03GRY
TIN	POTTING	GRAY	GRAY	ATP15-4P-BM04GRY
GOLD	NO POTTING	BLACK	BLACK	ATP15-4P-BM01BLK
GOLD	POTTING	BLACK	BLACK	ATP15-4P-BM02BLK
TIN	NO POTTING	BLACK	BLACK	ATP15-4P-BM03BLK
TIN	POTTING	BLACK	BLACK	ATP15-4P-BM04BLK



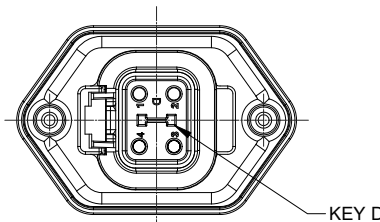
P/N ATP15-4P-BM0XXXX  
NO KEYS CONFIGURATION

ATP15-4PC-BM0X VARIANTS					
CONTACT PLATING	POTTING OR NOT IN RESERVOIR	HOUSING COLOR	RETAINER COLOR	PART NUMBER	WEIGHT (GRAMS)
GOLD	NO POTTING	GREEN	BLACK	ATP15-4PC-BM01	32.6
GOLD	POTTING	GREEN	BLACK	ATP15-4PC-BM02	33.4
TIN	NO POTTING	GREEN	BLACK	ATP15-4PC-BM03	32.6
TIN	POTTING	GREEN	BLACK	ATP15-4PC-BM04	33.4



P/N ATP15-4PC-BM0X  
KEY-C CONFIGURATION

ATP15-4PD-BM0X VARIANTS					
CONTACT PLATING	POTTING OR NOT IN RESERVOIR	HOUSING COLOR	RETAINER COLOR	PART NUMBER	WEIGHT (GRAMS)
GOLD	NO POTTING	BROWN	BLACK	ATP15-4PD-BM01	32.7
GOLD	POTTING	BROWN	BLACK	ATP15-4PD-BM02	33.5
TIN	NO POTTING	BROWN	BLACK	ATP15-4PD-BM03	32.7
TIN	POTTING	BROWN	BLACK	ATP15-4PD-BM04	33.5



P/N ATP15-4PD-BM0X  
KEY-D CONFIGURATION

<b>SEE PART NUMBER CHART</b>		DESCRIPTION		ITEM
QUANTITY	PART NUMBER	DESCRIPTION		ITEM
<b>MATERIALS LIST</b>				
<b>UNLESS OTHERWISE SPECIFIED</b> 1) All dimensions are in metric (mm). 2) Tolerances are as follows: 1 PL DEC ±0.30 Fractions ±1/64 2 PL DEC ±0.15 Angles ±1° 3 PL DEC ±0.08 3) Note reference =		<b>SIGNATURES DATE</b> DRAWN: VITOLJ 13OCT22 CHECKED: SULLENZHANG 14OCT22 ENGINEER: APPROVAL: TOMMY XIE 17OCT22		
MATERIAL SPECIFICATIONS:		CUSTOMER:		
PROCESS SPECIFICATIONS:		THIS DRAWING IS SUPPLIED FOR INFORMATION ONLY. DESIGN FEATURES, SPECIFICATIONS AND PERFORMANCE DATA SHOWN HEREON ARE THE PROPERTY OF THE AMPHENOL CORPORATION. NO RIGHTS OF REPRODUCTION ARE IMPLIED. ALL DIMENSIONS ARE SUBJECT TO NORMAL MANUFACTURING VARIATIONS.		
NEXT ASSY:		SCALE: NONE SHEET 2 OF 2		
		<b>Amphenol</b> Sine Systems - www.amphenol-sine.com 44724 Morley Drive Clinton Township, MI 48036		BOARDLOCK PCB MOUNT RECEPTACLE, 4 PIN, ST FLANGE, KEYED, ATP SERIES
		SIZE: B C- TYPE: ATP15-4P-X-BM0XXXX SCALE: NONE	DWG NO: ATP15-4P-X-BM0XXXX REVISION: A3	REV: A3 SH: 1 OF: 1

TITLE: BOARDLOCK PCB MOUNT RECEPTACLE 4 PIN, ST FLANGE, KEYED, ATP SERIES

DWG NO:

ATP15-4P-X-BM0XXXX

REV: A3

SH: 1

OF: 1