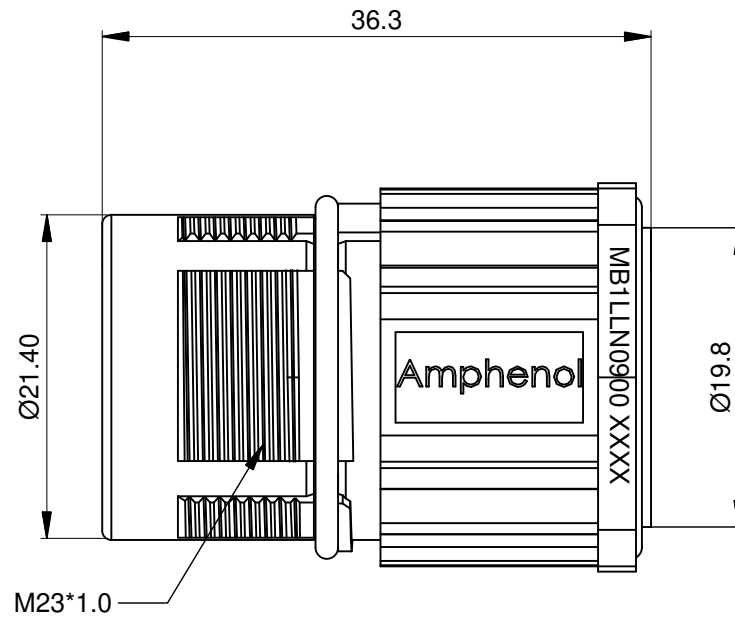
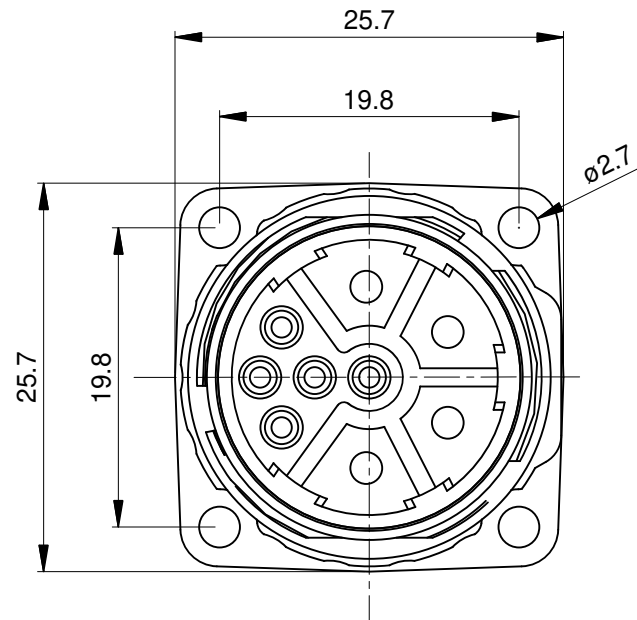


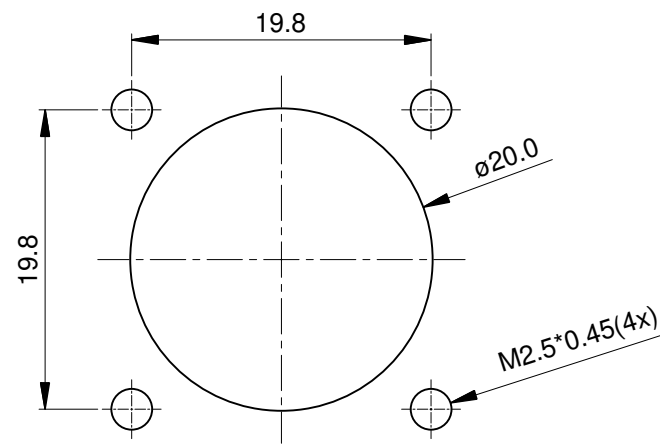
REVISIONS					
REV	ECO	DESCRIPTION	DATE	BY	APPR
B1	-	RELEASE NEW DWG FORMAT	May.10,2014	Drack	Tommy
B2	-	UPDATE TO CHECKMATE	Jun.11,2014	Tod	Tommy
B3	-	UPDATE THE DURABILITY	Jun.27,2015	Drack	Tommy



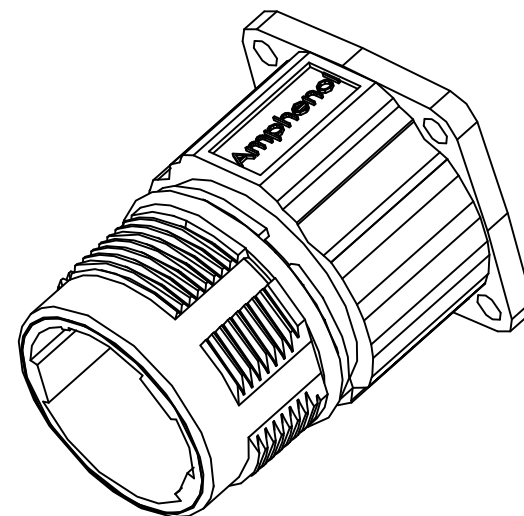
NOTES: UNLESS OTHERWISE SPECIFIED

- MATERIAL:  
INSULATION INSERT:PA66,UL94 V0  
SEAL: VITON  
HOUSING BODY: ZINC DIE CAST, NICKEL PLATED
- SPECIFICATIONS:  
2.1 CURRENT RATING: SIGNAL: 10 AMPS  
POWER: 30AMPS  
2.2 VOLTAGE RATING: SIGNAL: 250V AC/DC  
POWER: 630V AC/DC  
2.3 OPERATING TEMPERATURE: -20°C TO +130°C  
2.4 DIELECTRIC WITHSTANDING VOLTAGE: LESS THAN 2  
MILLIAMPS CURRENT LEAKAGE @ SIGNAL: 2500VOLTS AC.  
POWER: 6000 VOLTS AC.  
2.5 DEGREE OF PROTECTION: IP67 ( MATED CONDITION )  
2.6 DEGREE OF POLLUTION: 3 PER UL840  
2.7 OVERVOLTAGE CATEGORY: III PER UL840  
2.8 MATING CYCLE DURABILITY: >500 CYCLES  
2.9 RoHS COMPLIANT

3. ALL DIMENSIONS ARE FOR REFERENCE USE ONLY.



MOUNTING HOLE



TITLE: M23B,REC.,STR,9POS(4+5),FLANGE MOUNT,EXTENSION  
DWG NO: MB1LLN0900  
REV: B3  
SH: 1  
OF: 1

QUANTITY	SEE PART NUMBER PART NUMBER	DESCRIPTION	ITEM
<b>MATERIALS LIST</b>			
UNLESS OTHERWISE SPECIFIED 1) All dimensions are in metric(mm). 2) Tolerances are as follows: 1 PL DEC ±0.30 2 PL DEC ±0.15 3 PL DEC ±0.08 Fractions ±1/64 Angles ±1° 3) Note reference =  X		<b>SIGNATURES</b> <b>DATE</b> DRAWN: Drack    Jun.27,2015 CHECKED: ENGINEER: APPROVAL:	
<b>MATERIAL SPECIFICATIONS:</b>		<b>CUSTOMER:</b> THIS DRAWING IS SUPPLIED FOR INFORMATION ONLY. DESIGN FEATURES, SPECIFICATIONS AND PERFORMANCE DATA SHOWN HEREON ARE THE PROPERTY OF THE AMPHENOL CORPORATION. NO RIGHTS OF REPRODUCTION ARE IMPLIED. ALL DIMENSIONS ARE SUBJECT TO NORMAL MANUFACTURING VARIATIONS.	
<b>PROCESS SPECIFICATIONS:</b>		SIZE: <b>B</b> TYPE: <b>C-</b> DWG NO: <b>MB1LLN0900</b> REVISION: <b>B3</b>	
<b>NEXT ASSY:</b>		SCALE: <b>NONE</b> SHEET <b>1</b> OF <b>1</b>	

# Amphenol

Sine Systems - www.amphenol-sine.com  
44724 Morley Drive  
Clinton Township, MI 48036

M23B,REC.,STR,9POS(4+5),FLANGE MOUNT,EXTENSION