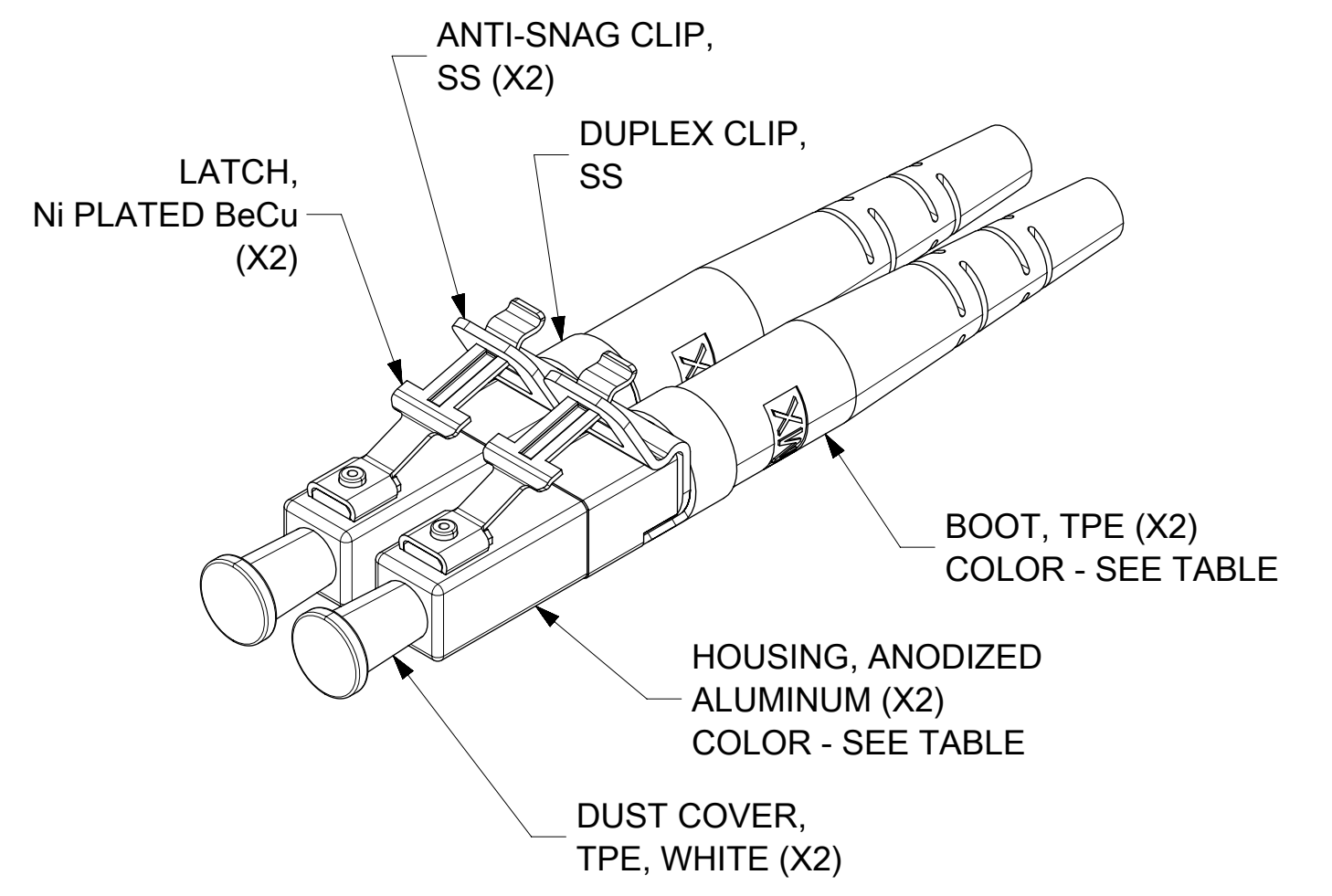
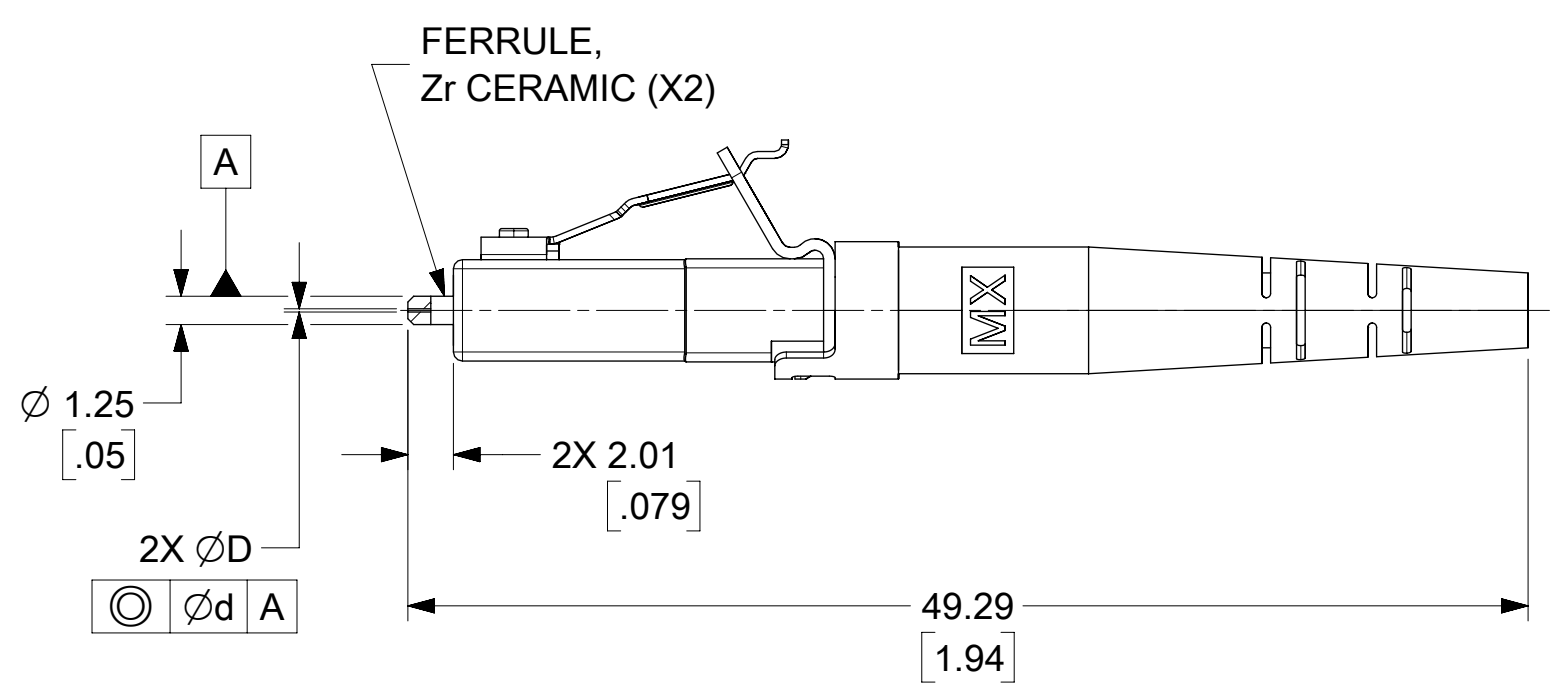
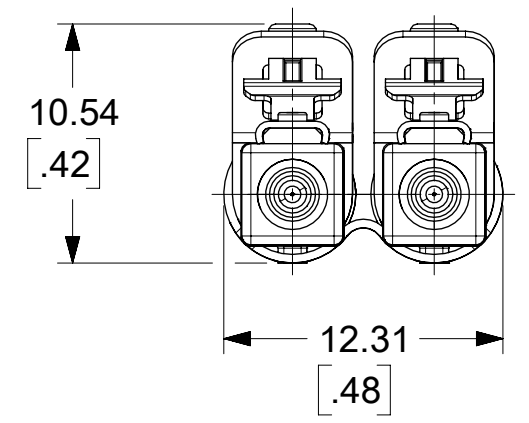
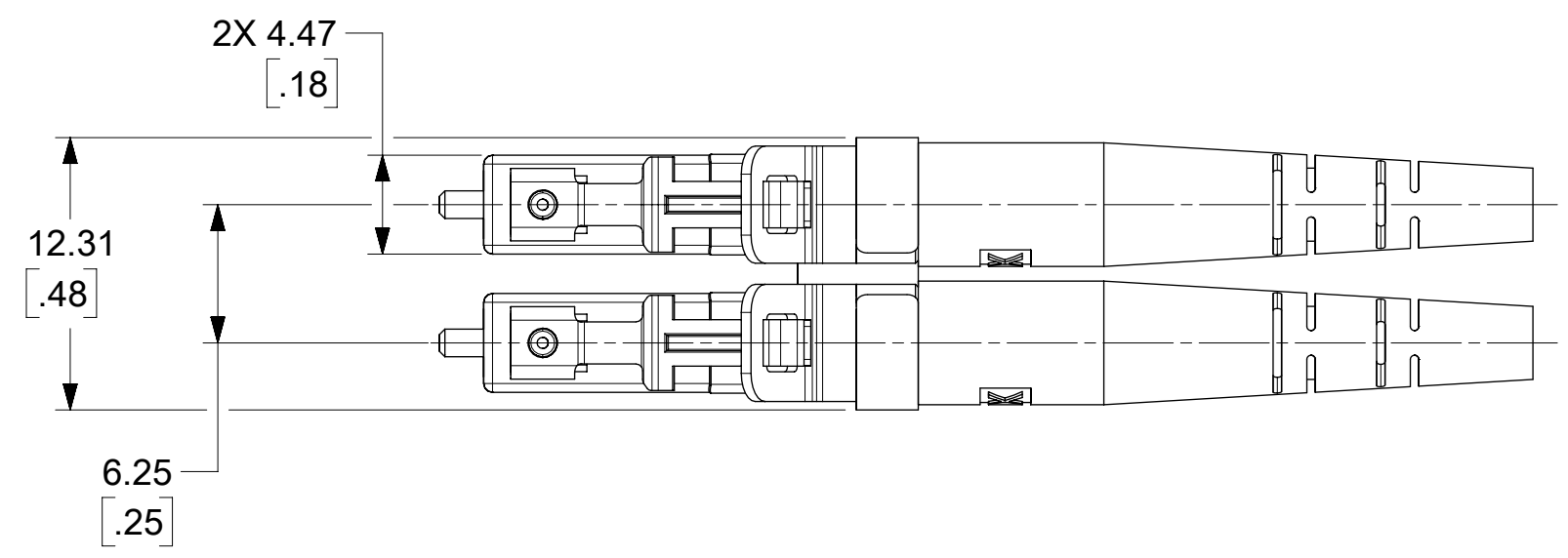


CONNECTOR P/N	ØD (µm)	Ød (µm)	CONNECTOR TYPE	HOUSING COLOR	BOOT COLOR	CABLE DIA. (mm)
1063973000	125.5 +0.5/-0	0.5	Single Mode	Blue	Blue	2.0
1063971604	126.0 +1.0/-0	1.0				
1063972427	127.0 +3.0/-0	3.0	Multimode	Gold	White	1.6
1063973010						2.0



NOTES:

1. INTERFACE DIMENSIONS COMPLY TO IEC 61754-20 TYPE LC CONNECTOR FAMILY.
2. FOR TERMINATION PROCEDURE USE STANDARD LC TERMINATION PROCEDURE. (RECOMMENDED CRIMP TOOL P/N 867445000)
3. CONNECTOR TESTED TO PASS FOLLOWING STANDARDS:
- TELCORDIA GR-326-CORE (REFER TO TEST REPORT TR8796)

CONNECTOR IS SOLD AS A KIT. CUSTOMER IS RESPONSIBLE TO PERFORM THEIR OWN TEST TO VERIFY THEIR TERMINATION PROCESS AS A FINISHED PRODUCT.

FUNCTIONAL SYMBOLS	THIS DRAWING CONTAINS INFORMATION THAT IS PROPRIETARY TO MOLEX ELECTRONIC TECHNOLOGIES, LLC AND SHOULD NOT BE USED WITHOUT WRITTEN PERMISSION		CURRENT REV DESC:		molex
	DIMENSION UNITS	SCALE			
▽A = 0	MM/INCH	3:1			LC2+ METAL CONNECTOR, DUPLEX, 1.6MM & 2.0MM CABLE
▽E = 0	GENERAL TOLERANCES (UNLESS SPECIFIED)				
▽P = 0	ANGULAR TOL ± 0.5°				PRODUCT CUSTOMER DRAWING
DIVISIONAL SYMBOLS	4 PLACES ±		EC NO: 655686		
	3 PLACES ±		DRWN: IGUMIN 2021/02/15		
	2 PLACES ±		CHK'D: GGENCHANOK 2021/02/18		
	1 PLACE ±		APPR: GGENCHANOK 2021/02/18		
	0 PLACES ±		INITIAL REVISION:		
	DRAFT WHERE APPLICABLE MUST REMAIN WITHIN DIMENSIONS		DRWN: WCHEN 2009/05/05		DOCUMENT NUMBER
	THIRD ANGLE PROJECTION		APPR: BANDREI 2009/05/06		SD-106397-3000
	DRAWING		SERIES		DOC TYPE
	C-SIZE		106397		PSD
	MATERIAL NUMBER		CUSTOMER		DOC PART
	SEE TABLE				001
	SHEET NUMBER				REVISION
	1 OF 1				C1