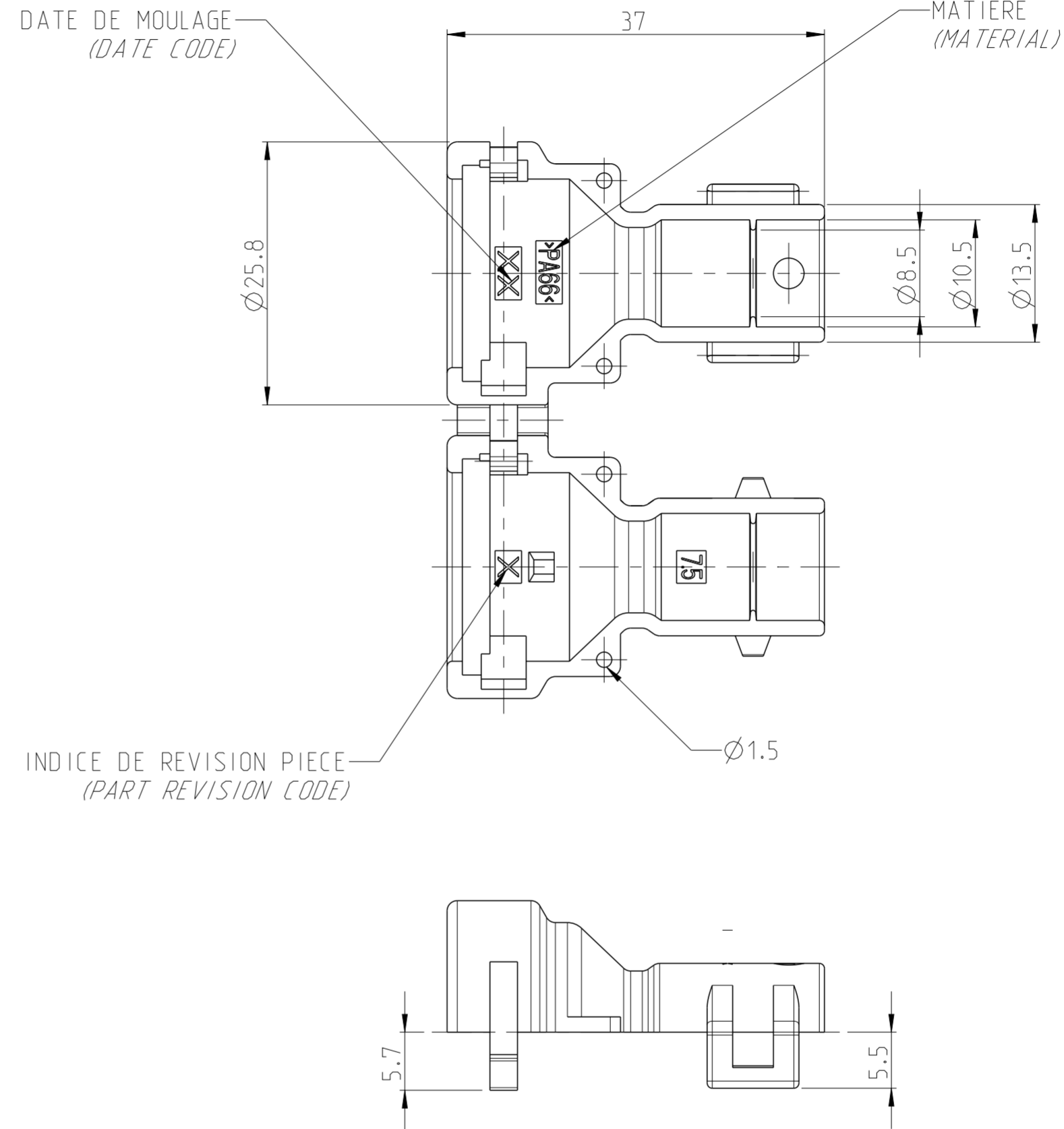
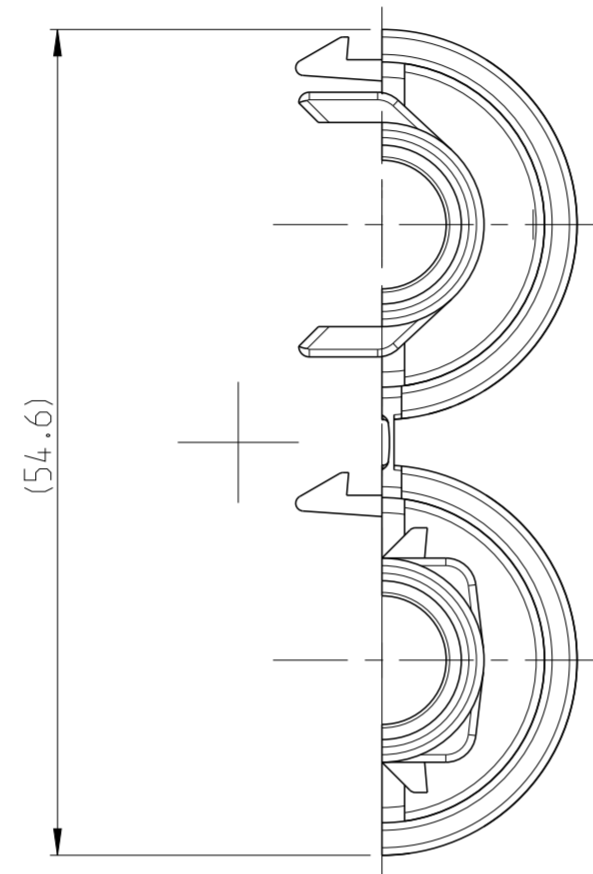
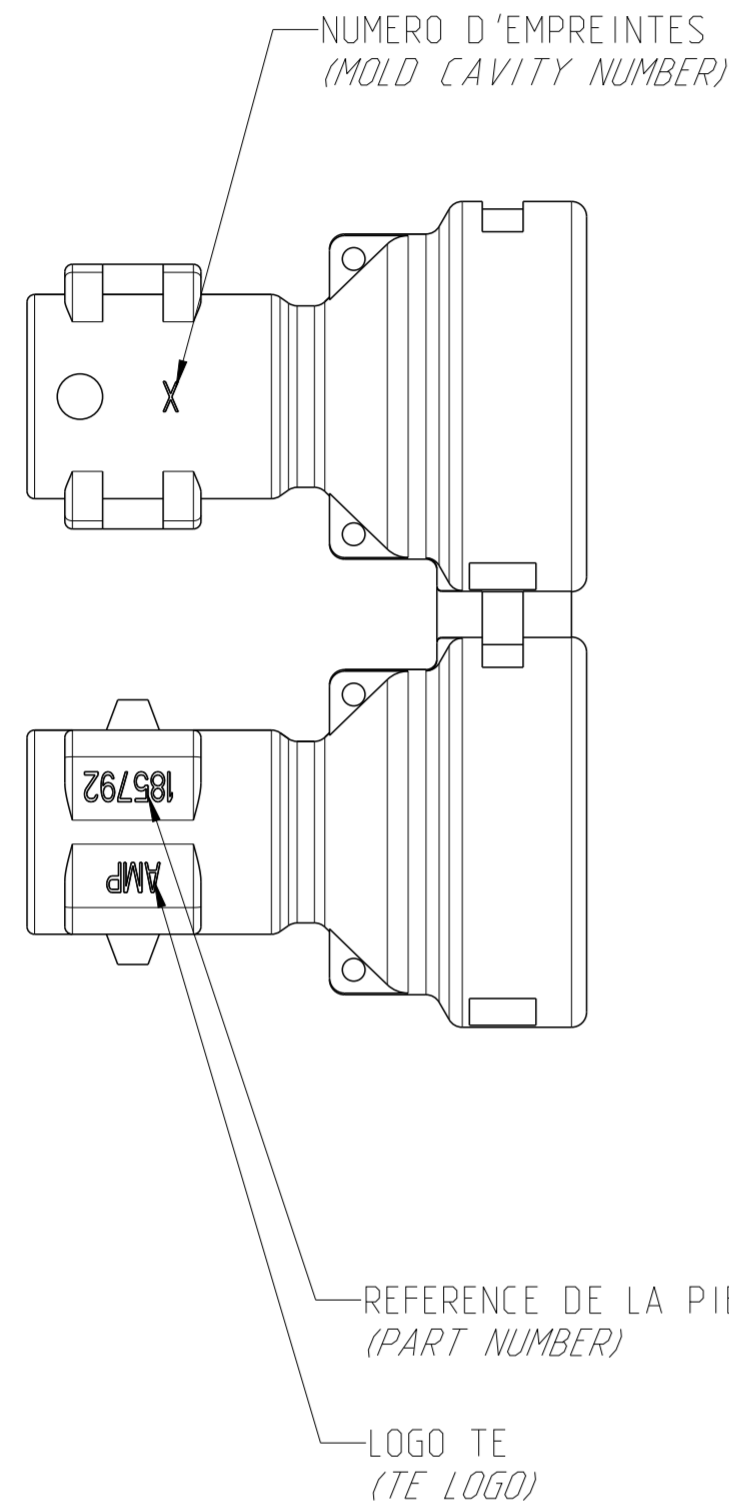


REVISIONS					
P	LTR	DESCRIPTION	DATE	DWN	APVD
A		FIRST ISSUE	16 JUN2020	P.B	JP.P
B		DEVIATION ADDED REGARDIING WHITE MARKS	27 JUL2020	DB	XR



185792-1	PA66	NOIR BLACK
REFERENCE TE TE PART NUMBER	MATIERE MATERIAL	COULEUR COLOR

TRACES BLANCHES POSSIBLES SUR LA PIECE PLASTIQUE, A CAUSE DE LA PRESENCE D'EAU DANS LE CONDITIONNEMENT.
WHITE MARKS PERMISSIBLE ON THE PLASTIC PART, DUE TO WATER IN THE PACKAGING.

THIS DRAWING IS A CONTROLLED DOCUMENT.		DWN P.BACHELOT 14 JUN2010		
DIMENSIONS: mm		CHK JP.PICAUD 14 JUN2010		
TOLERANCES UNLESS OTHERWISE SPECIFIED:		APVD JJ.REVIL 14 JUN2010	NAME 180 DEG CAP CORRUGATED TUBE WITH PLUMBING HOLES ADAPTATEUR POUR GAINNE ANNELEE 7.5	
		PRODUCT SPEC 108-15161	RESTRICTED TO	
MATERIAL SEE TABLE		APPLICATION SPEC -	SIZE A2	CAGE CODE 00779
		WEIGHT 5 gr	DRAWING NO C-185792	
		CUSTOMER DRAWING	SCALE 2:1	SHEET 1 OF 1
			REV B	