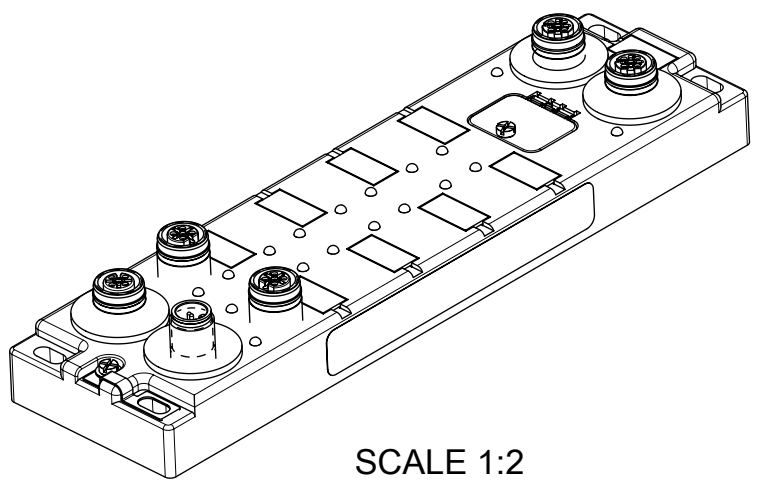


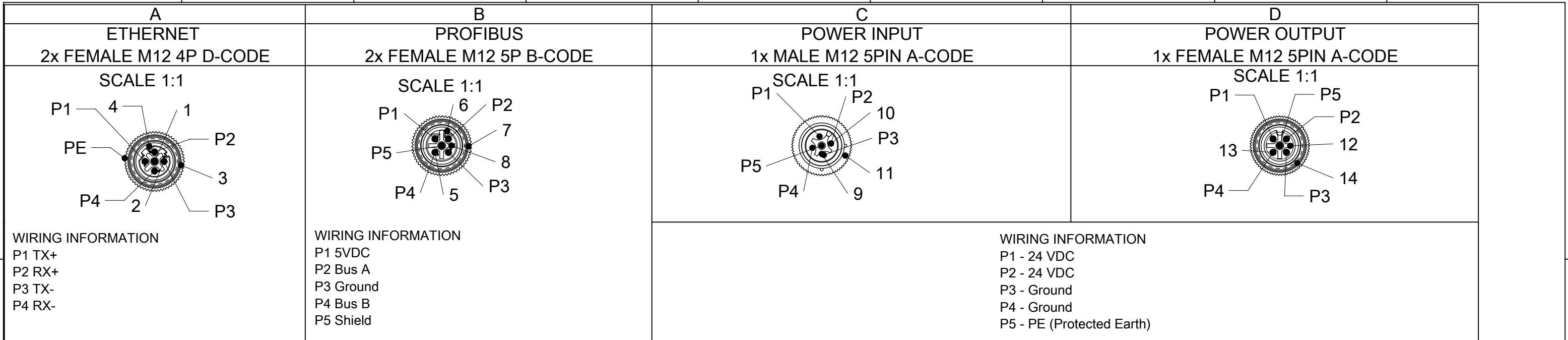
FIXING HOLES
SUITABLE FOR M5
SCREWS

FIXING HOLES
SUITABLE FOR M5
SCREWS



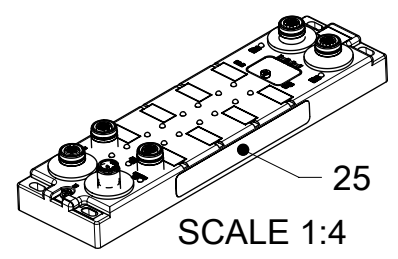
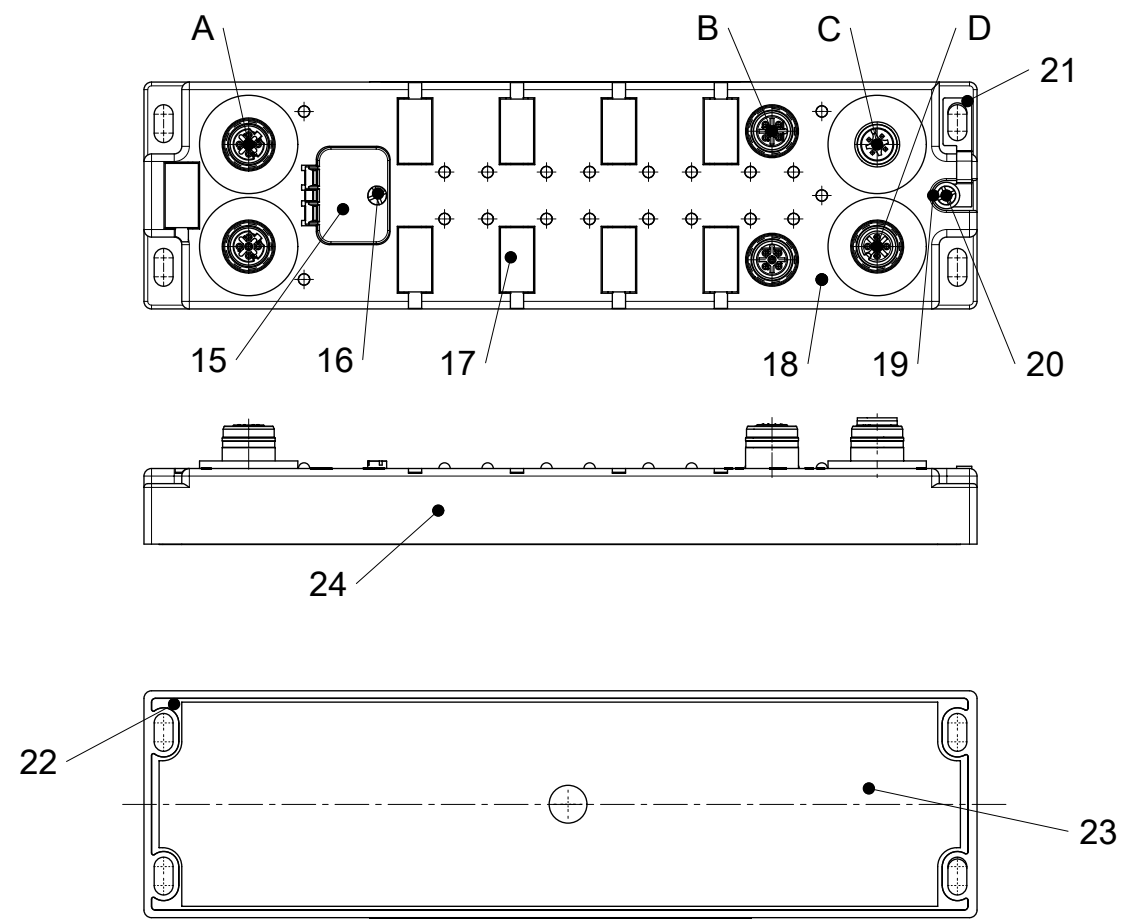
SCALE 1:2

THIS DRAWING CONTAINS INFORMATION THAT IS PROPRIETARY TO MOLEX ELECTRONIC TECHNOLOGIES, LLC AND SHOULD NOT BE USED WITHOUT WRITTEN PERMISSION											
QUALITY SYMBOLS ▽A = 0 ▽E = 0 ▽F = 0 ▼ = 0 ▽C = 0 ⊗ = 0 ■ = 0 ▽ = 0	2015/10/07	GENERAL TOLERANCES (UNLESS SPECIFIED)		DIMENSION UNITS	SCALE						
	2015/11/03	ANGULAR TOL ± °		mm	1:1						
	2015/11/03	4 PLACES	±	DRWN BY	DATE	DBO ETH 60 MM PB U12 4P 2P DC FE U12 5P 2P BC FE M12 5P AC MA U12 5P AC FE					
		3 PLACES	±	ULETTENMEIER	2015/01/19						
		2 PLACES	±	CHK'D BY	DATE	PRODUCT CUSTOMER DRAWING					
	1 PLACE	± 0.3	RSILLER	2015/06/25							
	0 PLACES	± 0.5	APPR BY	DATE	SERIES	MATERIAL NUMBER	CUSTOMER				
			DRAFT WHERE APPLICABLE MUST REMAIN WITHIN DIMENSIONS	DRAWING SIZE	THIRD ANGLE PROJECTION	112016	SEE TABLE 1	GENERAL MARKET			
				A3		DOCUMENT NUMBER	DOC TYPE	DOC PART	SHEET NUMBER		
						1120165002	PSD	000	1 OF 3		



BILL OF MATERIAL

ITEM	DESCRIPTION	MATERIAL	FINISH
1	INSERT	TPU	BLACK
2	CONTACT	COPPER ALLOY	GOLD OVERNICKEL
3	SHELL	BRASS	NICKEL PLATET
4	GASKET	FPM	RED
5	CONTACT	COPPER ALLOY	GOLD OVER NICKEL
6	GASKET	FPM	RED
7	SHELL	BRASS	NICKEL PLATET
8	INSERT	TPU	BLACK
9	INSERT	TPU	BLACK
10	CONTACT	COPPER ALLOY	GOLD OVERNICKEL
11	SHELL	BRASS	NICKEL PLATET
12	INSERT	TPU	BLACK
13	CONTACT	COPPER ALLOY	GOLD OVER NICKEL
14	SHELL	BRASS	NICKEL PLATET
15	WINDOW	PC	TRANSPARENT
16	SCREW	V2A	V2A
17	LABEL	PC	WHITE
18	FIBER OPTIC	PA	TRANSPARENT
19	WASHER	BRASS	NICKEL PLATET
20	SCREW	V2A	V2A
21	SHIELD PLATE	STAINLESS STEEL	STAINLESS STEEL
22	RESIN	EPOXY	TRANSPARENT
23	LABEL	PVC	WHITE
24	HOUSING	PBT	BLACK
25	LABEL	PVC	YELLOW



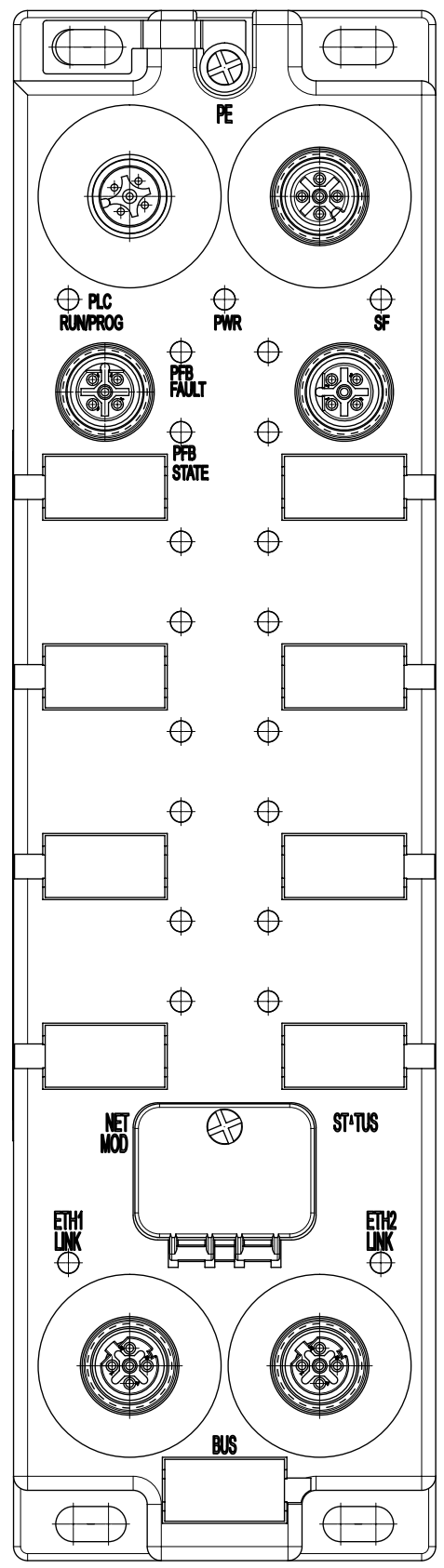
THIS DRAWING CONTAINS INFORMATION THAT IS PROPRIETARY TO MOLEX ELECTRONIC TECHNOLOGIES, LLC AND SHOULD NOT BE USED WITHOUT WRITTEN PERMISSION

QUALITY SYMBOLS A = 0 E = 0 F = 0 G = 0 H = 0 I = 0 J = 0 K = 0 L = 0 M = 0 N = 0 O = 0	EC NO: 101573 DRWN: AAHLERS CHK'D: RSILLER APPR: RSILLER	2015/10/07 2015/11/03 2015/11/03	GENERAL TOLERANCES (UNLESS SPECIFIED) ANGULAR TOL ± ° 4 PLACES ± 3 PLACES ± 2 PLACES ± 1 PLACE ± 0.3 0 PLACES ± 0.5 DRAFT WHERE APPLICABLE MUST REMAIN WITHIN DIMENSIONS	DIMENSION UNITS: mm SCALE: 1:2 DRWN BY: ULETTENMEIER DATE: 2015/01/19 CHK'D BY: [blank] DATE: [blank] APPR BY: RSILLER DATE: 2015/06/25 DRAWING SIZE: A3 THIRD ANGLE PROJECTION	
	PRODUCT CUSTOMER DRAWING DBO ETH 60 MM PB U12 4P 2P DC FE U12 5P 2P BC FE M12 5P AC MA U12 5P AC FE		SERIES: 112016 MATERIAL NUMBER: SEE TABLE 1 CUSTOMER: GENERAL MARKET		
RELEASE STATUS: P1 RELEASE DATE: 2015/11/03 17:16:12		DOCUMENT NUMBER: 1120165002 DOC TYPE: PSD DOC PART: 000 SHEET NUMBER: 2 OF 3			

9 8 7 6 5 4 3 2 1

E
D
C
B
A

TABLE 1 PRINTING					
		EtherNet/IP Profibus			
POWER TYPE	INPUT / OUTPUT		ENG.NO.	MOLEX P/N	3D MODEL NO.
M12 5 POLE	N/A	N/A	SST-PB3-REM-R	1120165002	1120165002 (PDM)



PRINTING

QUALITY SYMBOLS ▽ _A = 0 ▽ _E = 0 ▽ _F = 0 ▼ = 0 ▽ _C = 0 ⊗ = 0 ■ = 0 ▽ = 0	THIS DRAWING CONTAINS INFORMATION THAT IS PROPRIETARY TO MOLEX ELECTRONIC TECHNOLOGIES, LLC AND SHOULD NOT BE USED WITHOUT WRITTEN PERMISSION																					
	EC NO: 101573 DRWN: AAHLERS CHK'D: RSILLER REV APPR: RSILLER	2015/10/07		2015/11/03		2015/11/03		GENERAL TOLERANCES (UNLESS SPECIFIED)		DIMENSION UNITS		SCALE										
		4 PLACES		±		mm		1:1		DRWN BY		DATE										
		3 PLACES		±		ANGULAR TOL ± °		ULETTENMEIER		2015/01/19		CHK'D BY		DATE								
		2 PLACES		±		1 PLACE		± 0.3		RSILLER		2015/06/25		APPR BY		DATE						
		0 PLACES		± 0.5		DRAFT WHERE APPLICABLE MUST REMAIN WITHIN DIMENSIONS		A3		THIRD ANGLE PROJECTION				SERIES		MATERIAL NUMBER		CUSTOMER				
	A1		REV		A3		A3		A3		A3		112016		SEE TABLE 1		GENERAL MARKET					
	A1		REV		A3		A3		A3		A3		1120165002		PSD		000		3 OF 3			
	A1		REV		A3		A3		A3		A3		A3		1120165002		PSD		000		3 OF 3	
	A1		REV		A3		A3		A3		A3		A3		1120165002		PSD		000		3 OF 3	

RELEASE STATUS P1 RELEASE DATE 2015/11/03 17:16:12

9 8 7 6 5 4 3 2 1

FORMAT: master-ib-prod-A3
REVISION: D
DATE: 2015/09/04