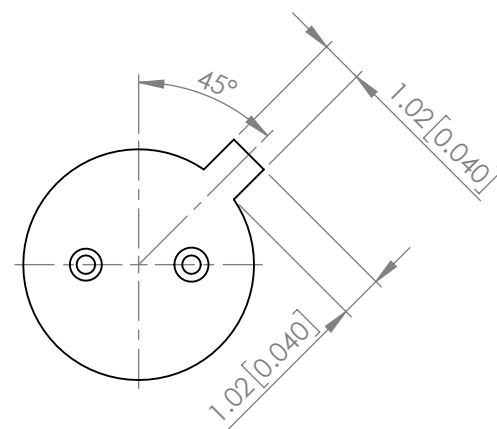
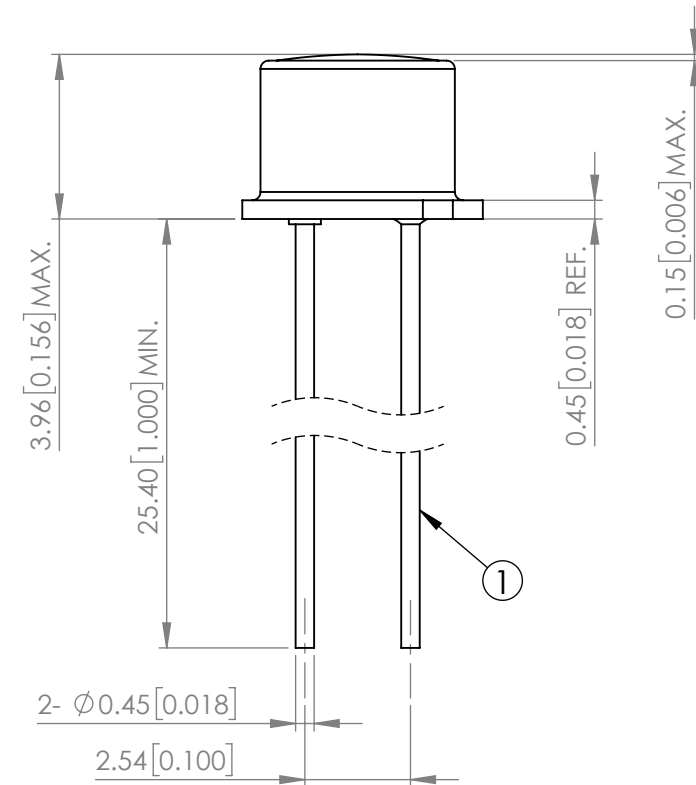
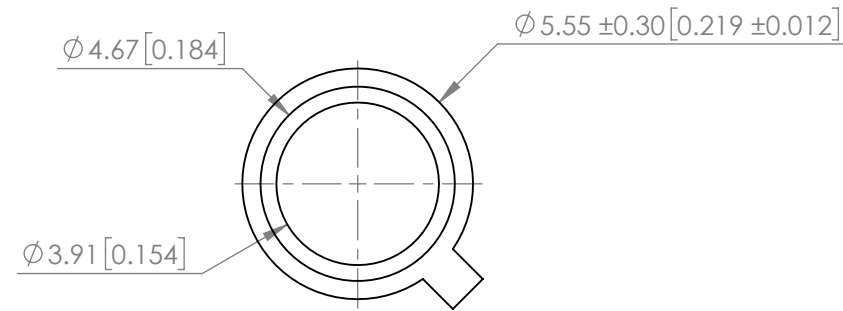
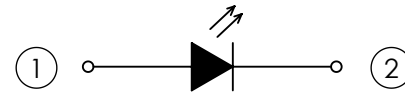


PART NUMBER	SSL-LXTO46UV2C	REV	D
REV	E.C.N. NUMBER AND REVISION COMMENTS	DATE	
A	E.C.N. #11611.	01.11.10	
B	E.C.N. #10BRDR. & REDRAWN.	06.28.11	
C	E.C.N. #11755.	09.19.11	
D	ECN-Lumex201900100	07.29.19	



POLARITY



ELECTRO-OPTICAL CHARACTERISTIC TA=25°C

PARAMETER	MIN	TYP	MAX	UNITS	TEST COND
PEAK WAVELENGTH	400	405	410	nm	If=20mA
FORWARD VOLTAGE	-	3.5	3.8	Vf	If=20mA
REVERSE CURRENT	-	-	1	uA	VR=5V
TOTAL POWER OUTPUT	3	4.5	-	mW	If=20mA
EMITTED COLOR	ULTRA VIOLET				
EPOXY LENS FINISH	WATER CLEAR				

ABSOLUTE MAXIMUM RATINGS TA=25°C

PARAMETER	MAX	UNITS
PEAK FORWARD CURRENT*	100	mA
FORWARD CURRENT	20	mA
REVERSE VOLTAGE	5	V
POWER DISSIPATION	76	mW
STORAGE TEMPERATURE	-40 TO +100	°C
OPERATING TEMPERATURE	-40 TO +100	°C

*t<10us

THERMAL PARAMETERS

PARAMETER	MAX	UNITS
MAXIMUM JUNCTION TEMPERATURE	125	°C
THERMAL RESISTANCE JUNCTION-AIR	400	°C/W
THERMAL RESISTANCE JUNCTION-CASE	138	°C/W

STATIC DEVICE FOLLOW PROPER E.S.D. HANDLING PROCEDURES WHEN WORKING WITH THIS PART

*UNLESS OTHERWISE SPECIFIED TOLERANCES PER DECIMAL PRECISION ARE: X=±1 (±0.039), X.X=±0.5 (±0.020), X.XX=±0.25 (±0.010), X.XXX=±0.127 (±0.005). LEAD SIZE=±0.05 (±0.002), LEAD LENGTH=±0.75 (±0.030). MIN= ^{+DECIMAL PRECISION}/_{-0.00} MAX.= ^{+0.00}/_{-DECIMAL PRECISION}