

## 2.5 Gigabit LAN Filter Module

A2GS-2403

- Operating Temperature Range: 0°C to +70°C
- Storage Temperature Range: -20°C to +125°C
- Reflow Condition: T<sub>p</sub> is 260°C / -5°C for 30 Sec.  
(Refer to IPC / JEDEC J-STD-020 standard)



### Electrical Specifications @ 25°C

| OCL(μH Min)<br>@ 100kHz, 0.1V | Turns Ratio<br>(±5%) | Return Loss<br>(dB Min) |                  |
|-------------------------------|----------------------|-------------------------|------------------|
|                               |                      | 1-40MHz                 | 40-200MHz        |
| 150                           | 1CT: 1CT             | -17                     | -17+14*log(f/40) |

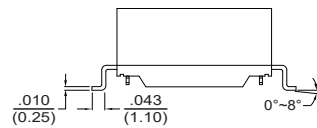
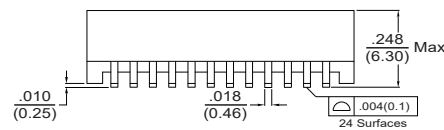
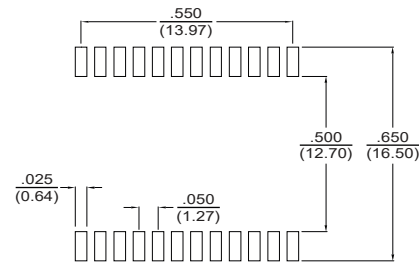
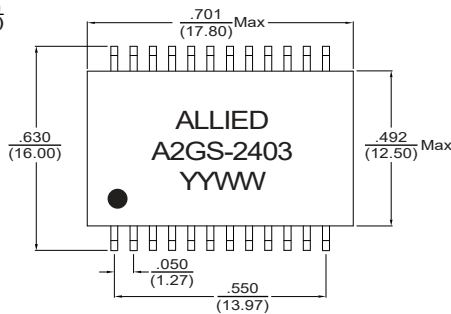
### Electrical Specifications @ 25°C

| Insertion Loss<br>(dB Max) |           | Cross Talk<br>(dB Min) | DCMR<br>(dB Min) | HI-POT<br>Isolation<br>(Vrms) |
|----------------------------|-----------|------------------------|------------------|-------------------------------|
| 1-50MHz                    | 50-125MHz | 1-125MHz               | 1-125MHz         |                               |
| -0.5                       | -1.0      | -30                    | -30              | 1500                          |

All specifications subject to change without notice.

## MECHANICAL

Dimensions:  $\frac{\text{inch}}{\text{mm}}$



Unless otherwise specified, all tolerances are ±0.25(0.010)

## SCHEMATICS

