

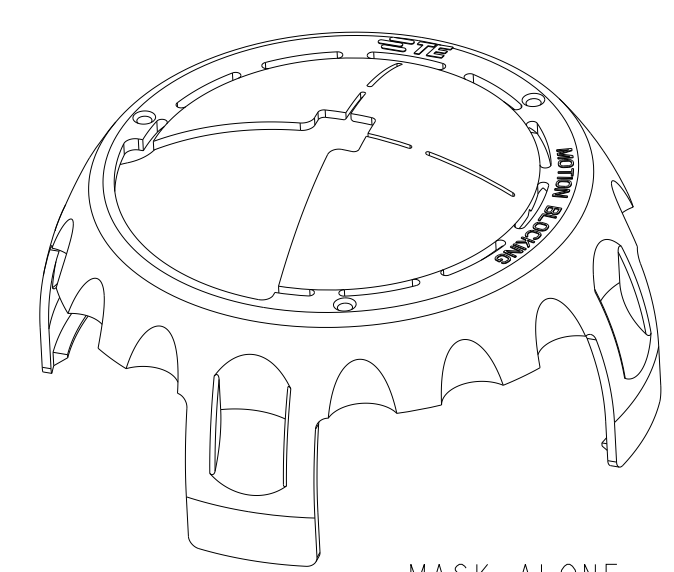
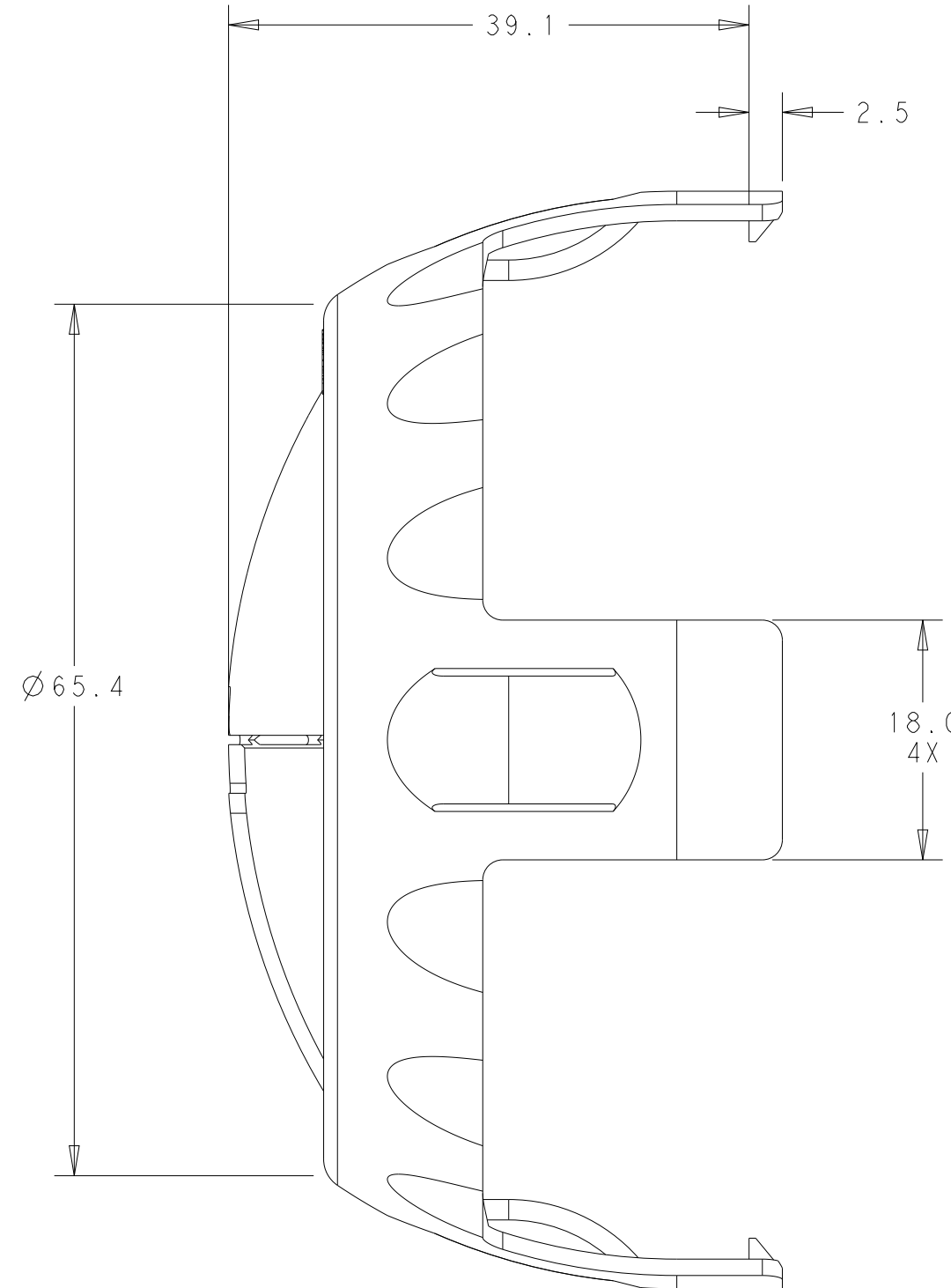
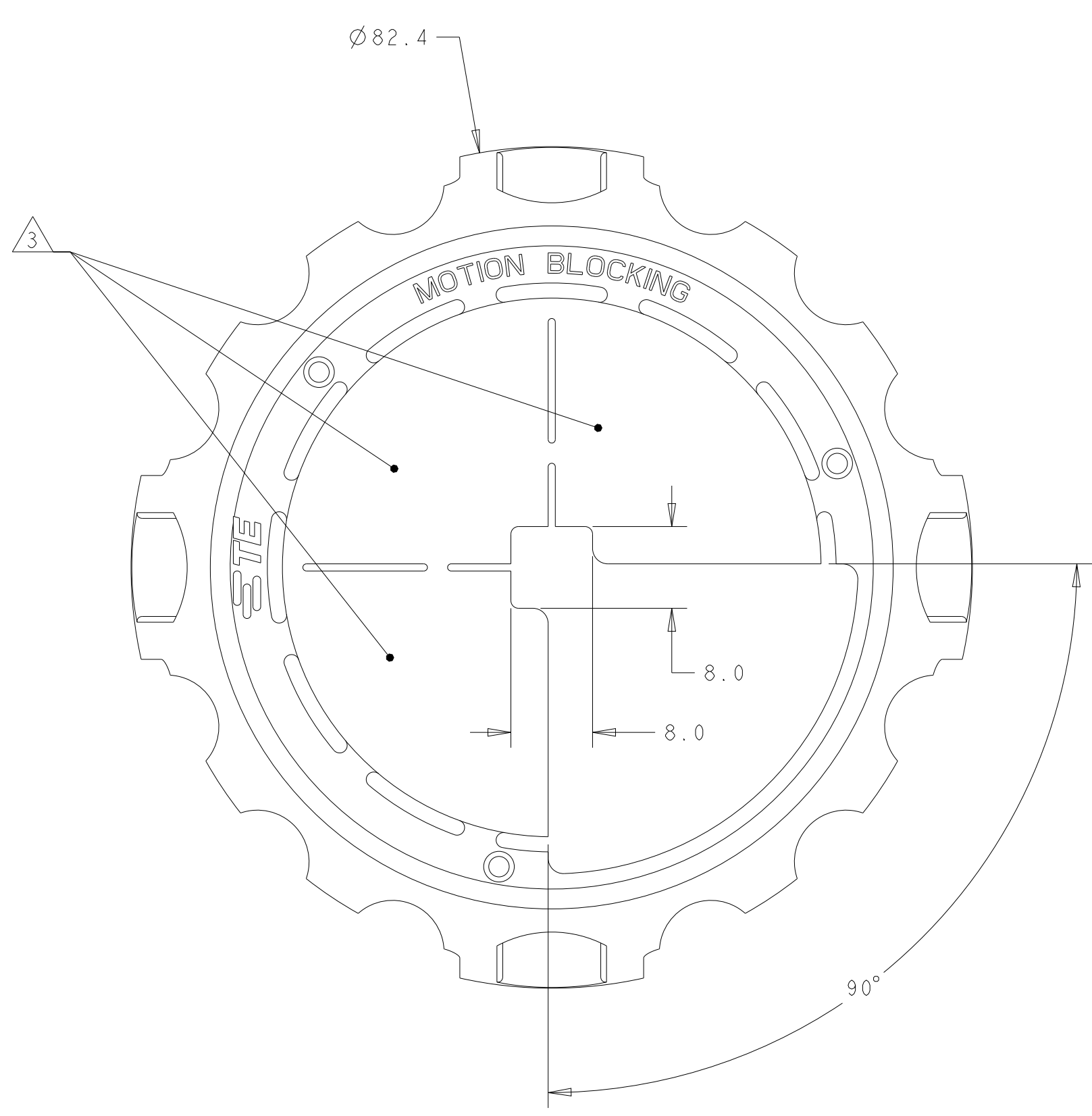
NOTES:

1 MATERIALS:
HOUSING: POLYCARBONATE, UL 94V-0 RATED
COLOR: SEE TABLE

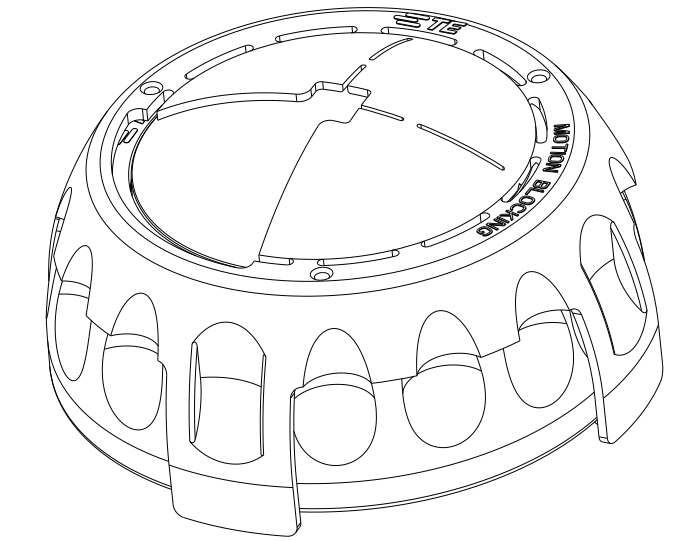
2 TO BE USED WITH TE MOTION SENSOR P/N: 2388426-X.

3 QUADRANTS DESIGNED TO BE REMOVED PER DESIRED DETECTION ZONE

REVISIONS					
P	LTR	DESCRIPTION	DATE	DWN	APVD
1		PROPOSED	02FEB2022	CD	CD
A		RELEASE TO PRODUCTION	05MAY2022	SD	CD



MASK ALONE
SCALE 1:1



MASK ON SENSOR
SCALE 1:1

CLEAR	2396399-1
COLOR	PART NO.

THIS DRAWING IS A CONTROLLED DOCUMENT.		DWN C DAILY 02FEB2022	STE TE Connectivity	
		CHK C DAILY 02FEB2022		
DIMENSIONS:	TOLERANCES UNLESS OTHERWISE SPECIFIED:	APVD -	NAME MASK, MOTION STREETLIGHT SENSOR	
mm	0 PLC \pm 1 PLC ± 0.2 2 PLC ± 0.13 3 PLC \pm 4 PLC \pm ANGLES $\pm 2^\circ$ FINISH	PRODUCT SPEC 108-160457	SIZE A2	CAGE CODE -
MATERIAL	1	APPLICATION SPEC 114-160247	DRAWING NO G-2396399	RESTRICTED TO -
		WEIGHT -	SCALE 1:1	SHEET 1 OF 1
		CUSTOMER DRAWING	REV A	