

ECS-P-122X169-L-UV-2M12 GY - Front plate



1050384

<https://www.phoenixcontact.com/us/products/1050384>

Please be informed that the data shown in this PDF document is generated from our online catalog. Please find the complete data in the user documentation. Our general terms of use for downloads are valid.

Snap-in locking two female M12-SPEEDCON faceplate of the ECS Family. IP66/67/69 rated when mated with associated enclosure. Color: Grey (7042), Width: 196 mm, Height: 34 mm, Depth: 62 mm



Your advantages

- Housing design supports the installation of a range of PCB thicknesses for high application diversity
- Optional accessories for wall and mast mounting
- Proven PCB connection technology
- Integrated tamper protection
- Effective protection of electronics against thermal and mechanical influences
- Suitable for outdoor/indoor applications

Commercial data

| | |
|--------------------------------------|---------------|
| Item number | 1050384 |
| Packing unit | 1 pc |
| Sales key | AC04 |
| Product key | ACFDAB |
| GTIN | 4055626662893 |
| Weight per piece (including packing) | 135.1 g |
| Weight per piece (excluding packing) | 132.38 g |
| Customs tariff number | 84879090 |
| Country of origin | US |

ECS-P-122X169-L-UV-2M12 GY - Front plate



1050384

<https://www.phoenixcontact.com/us/products/1050384>

Technical data

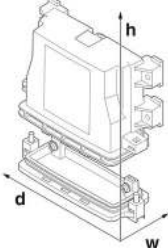
Notes

| | |
|---------|---|
| General | Refer to the data sheet for the range in the download area. |
|---------|---|

Product properties

| | |
|----------------|------------------|
| Product type | Front plate |
| Housing type | outdoor housings |
| Housing series | ECS |

Dimensions

| | |
|---------------------|---|
| Dimensional drawing |  |
| Width | 196 mm |
| Height | 34 mm |
| Depth | 62 mm |

PCB design

| | |
|---------------|---------------------|
| PCB thickness | 1.57 mm ... 2.36 mm |
|---------------|---------------------|

Material specifications

| | |
|--|--------------------|
| Color | gray (7042) |
| Flammability rating according to UL 94 | V0 |
| Surface characteristics | untreated |
| Impact strength | IK08 |
| Housing material | PC (polycarbonate) |

Environmental and real-life conditions

Vibration test

| | |
|------------------------|---------------------------|
| Specification | IEC 60068-2-6:2007-12 |
| Frequency | 10 - 2000 - 10 Hz |
| Sweep speed | 1 octave/min |
| Acceleration | 15g (61.6 Hz ... 2000 Hz) |
| Test duration per axis | 2.5 h |
| Test directions | X-, Y- and Z-axis |

Glow-wire test

| | |
|---------------|------------------------|
| Specification | IEC 60695-2-11:2014-02 |
|---------------|------------------------|

ECS-P-122X169-L-UV-2M12 GY - Front plate



1050384

<https://www.phoenixcontact.com/us/products/1050384>

| | |
|------------------|--------|
| Temperature | 850 °C |
| Time of exposure | 30 s |

Mechanical strength / tumbling barrel

| | |
|----------------|------------------------|
| Specification | IEC 60068-2-31:2008-05 |
| Height of fall | 50 cm |
| Frequency | 50 |

Shocks

| | |
|--------------------------------|-----------------------------------|
| Specification | IEC 60068-2-27:2008-02 |
| Pulse shape | Semi-sinusoidal |
| Acceleration | 50g |
| Shock duration | 11 ms |
| Number of shocks per direction | 3 |
| Test directions | X-, Y- and Z-axis (pos. and neg.) |

Salt spray test

| | |
|---------------|---------------------------|
| Specification | DIN EN 60068-2-11:2000-02 |
| Test duration | 96 h |

Test for substances that would hinder coating with paint or varnish

| | |
|---------------|--------------------|
| Specification | VDMA 24364:2018-05 |
| Result | Test passed |

Degree of protection (IP code)

| | |
|---------------------------------------|---|
| Specification | IEC 60529:1989-11 + AMD 1:1999-11 + AMD 2:2013-08 |
| Result, degree of protection, IP code | IP66/IP68 (2 m/24 h) |

Ambient conditions

| | |
|---|-------------------|
| Degree of protection | IP66/IP67 |
| Max. NEMA code to attain | 6 |
| Impact strength | IK08 |
| Ambient temperature (operation) | -40 °C ... 100 °C |
| Ambient temperature (storage/transport) | -40 °C ... 100 °C |

PCB data

| | |
|-----------------------|---------------------|
| Number of PCB holders | 1 |
| Thickness of the PCB | 1.57 mm ... 2.36 mm |

Mounting

| | |
|---------------|--------------------------|
| Mounting type | Mechanical latch to base |
|---------------|--------------------------|

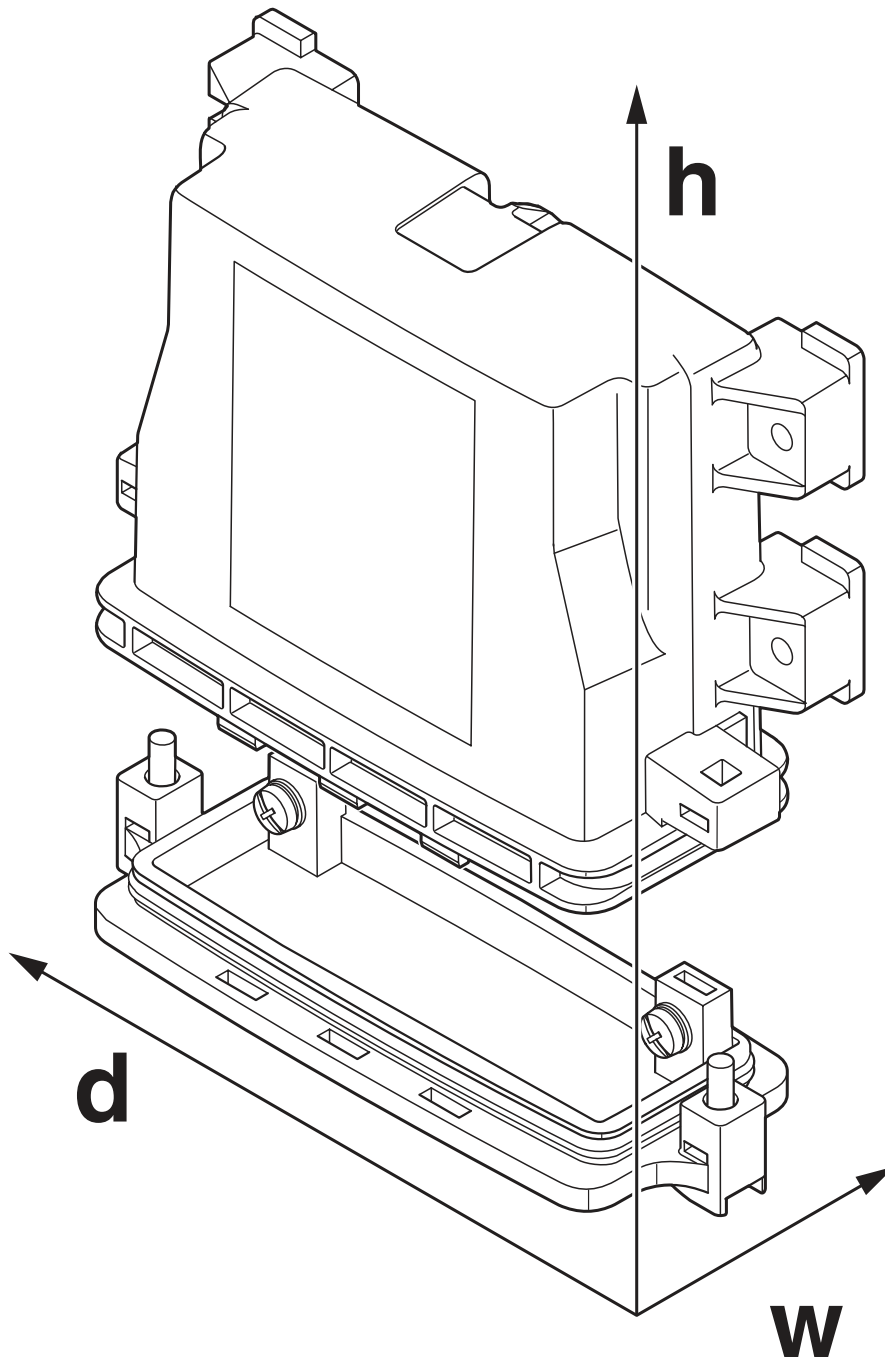
ECS-P-122X169-L-UV-2M12 GY - Front plate

1050384

<https://www.phoenixcontact.com/us/products/1050384>

Drawings

Dimensional drawing



Schematic figure for illustrating the item dimensions. The figure is not of the desired product. For further details, refer to the product drawings in the "Downloads" tab.

ECS-P-122X169-L-UV-2M12 GY - Front plate



1050384

<https://www.phoenixcontact.com/us/products/1050384>

Approvals

🔗 To download certificates, visit the product detail page: <https://www.phoenixcontact.com/us/products/1050384>

DNV

Approval ID: TAE00003W8

ECS-P-122X169-L-UV-2M12 GY - Front plate



1050384

<https://www.phoenixcontact.com/us/products/1050384>

Classifications

ECLASS

| | |
|-------------|----------|
| ECLASS-11.0 | 27182702 |
| ECLASS-13.0 | 27190603 |

ETIM

| | |
|----------|----------|
| ETIM 8.0 | EC001031 |
|----------|----------|

UNSPSC

| | |
|-------------|----------|
| UNSPSC 21.0 | 31261500 |
|-------------|----------|

ECS-P-122X169-L-UV-2M12 GY - Front plate



1050384

<https://www.phoenixcontact.com/us/products/1050384>

Environmental product compliance

| | |
|------------|--|
| REACH SVHC | Lead 7439-92-1 |
| China RoHS | Environmentally Friendly Use Period = 50 years |
| | For information on hazardous substances, refer to the manufacturer's declaration available under "Downloads" |

ECS-P-122X169-L-UV-2M12 GY - Front plate



1050384

<https://www.phoenixcontact.com/us/products/1050384>

Mandatory accessories

ECS-B-122X169-L-UV-V GY - Electronic housing

1050206

<https://www.phoenixcontact.com/us/products/1050206>

Snap-in locking vented enclosure of the ECS Family. IP66/67/69 rated when mated with associated faceplate. Color: Grey (7042), Width: 170 mm, Height: 176 mm, Depth: 64 mm



ECS-B-122X169-L-UV-NV GY - Electronic housing

1050212

<https://www.phoenixcontact.com/us/products/1050212>

Snap-in locking non-vented enclosure of the ECS Family. IP66/67/69 rated when mated with associated faceplate. Color: Grey (7042), Width: 170 mm, Height: 176 mm, Depth: 64 mm



ECS-P-122X169-L-UV-2M12 GY - Front plate



1050384

<https://www.phoenixcontact.com/us/products/1050384>

ECS-B-122X109-L-UV-V GY - Electronic housing

1054702

<https://www.phoenixcontact.com/us/products/1054702>

Snap-in locking vented enclosure of the ECS Family. IP66/67/69 rated when mated with associated faceplate. Color: Grey (7042), Width: 172 mm, Height: 116 mm, Depth: 64 mm



ECS-B-122X109-L-UV-NV GY - Electronic housing

1054705

<https://www.phoenixcontact.com/us/products/1054705>

Snap-in locking non-vented enclosure of the ECS family. IP66/67/69 rated when mated with associated faceplate. Color: Grey (7042), Width: 172 mm, Height: 116 mm, Depth: 64 mm



Accessories

ECS-P-122X169-L-UV-2M12 GY - Front plate



1050384

<https://www.phoenixcontact.com/us/products/1050384>

SACC-CI-M12FS-4CON-L 90 SH SCO - Contact carrier

1432444

<https://www.phoenixcontact.com/us/products/1432444>



Contact carrier, 4-position, Socket, angled, M12, coding: A , PCB mounting, Wave soldering, Alternative product in accordance with RoHS II without Exemption 6c (Pb <0.1%) item no.: 1239612

SACC-CI-M12FS-4CON-L90 SCO - Contact carrier

1436628

<https://www.phoenixcontact.com/us/products/1436628>



Contact carrier, 4-position, Socket, angled, M12, coding: A , PCB mounting, Wave soldering, Alternative product in accordance with RoHS II without Exemption 6c (Pb <0.1%) item no.: 1239625

ECS-P-122X169-L-UV-2M12 GY - Front plate



1050384

<https://www.phoenixcontact.com/us/products/1050384>

SACC-CI-M12FSD-4CON-L90 SCO - Contact carrier

1432457

<https://www.phoenixcontact.com/us/products/1432457>



Contact carrier, Ethernet/PROFINET CAT5 (100 Mbps), 4-position, Socket, angled, M12, coding: D , PCB mounting, Wave soldering, Alternative product in accordance with RoHS II without Exemption 6c (Pb <0.1%) item no.: 1237421

SACC-CI-FS-5CON-L 90 SH SCO - Contact carrier

1432431

<https://www.phoenixcontact.com/us/products/1432431>



Contact carrier, 5-position, Socket, angled, M12, coding: A , PCB mounting, Wave soldering, Alternative product in accordance with RoHS II without Exemption 6c (Pb <0.1%) item no.: 1239611

ECS-P-122X169-L-UV-2M12 GY - Front plate

1050384

<https://www.phoenixcontact.com/us/products/1050384>



SACC-CI-M12FS-5CON-L90 SCO - Contact carrier

1436644

<https://www.phoenixcontact.com/us/products/1436644>



Sensor/actuator flush-type connector, socket, 5-pos., A-coded, with angled solder connection, only contact insert

SACC-CI-M12FS-8CON-L90 SH SCO - Contact carrier

1437009

<https://www.phoenixcontact.com/us/products/1437009>



Contact carrier, 8-position, Socket, angled, M12, coding: A , PCB mounting, Wave soldering, Alternative product in accordance with RoHS II without Exemption 6c (Pb <0.1%) item no.: 1239641

ECS-P-122X169-L-UV-2M12 GY - Front plate



1050384

<https://www.phoenixcontact.com/us/products/1050384>

SACC-CI-M12FS-8CON-L90 SCO - Contact carrier

1436990

<https://www.phoenixcontact.com/us/products/1436990>



Contact carrier, 8-position, Socket, angled, M12, coding: A , PCB mounting, Wave soldering, Alternative product in accordance with RoHS II without Exemption 6c (Pb <0.1%) item no.: 1239640

SACC-CI-M12FS-12CON-L90 SH - Contact carrier

1424199

<https://www.phoenixcontact.com/us/products/1424199>



Contact carrier, 12-position, Socket, angled, M12, coding: A , PCB mounting, Wave soldering, Alternative product in accordance with RoHS II without Exemption 6c (Pb <0.1%) item no.: 1239456

ECS-P-122X169-L-UV-2M12 GY - Front plate



1050384

<https://www.phoenixcontact.com/us/products/1050384>

SACC-CI-M12FS-12CON-L90 - Contact carrier

1424195

<https://www.phoenixcontact.com/us/products/1424195>



Contact carrier, 12-position, Socket, angled, M12, coding: A , PCB mounting, Wave soldering, Alternative product in accordance with RoHS II without Exemption 6c (Pb <0.1%) item no.: 1239452

SACC-CI-M12FS-17CON-L90 SH - Contact carrier

1424201

<https://www.phoenixcontact.com/us/products/1424201>



Contact carrier, 17-position, Socket, angled, M12, coding: A , PCB mounting, Wave soldering, Alternative product in accordance with RoHS II without Exemption 6c (Pb <0.1%) item no.: 1239458

ECS-P-122X169-L-UV-2M12 GY - Front plate



1050384

<https://www.phoenixcontact.com/us/products/1050384>

SACC-CI-M12FS-17CON-L90 - Contact carrier

1424197

<https://www.phoenixcontact.com/us/products/1424197>



Contact carrier, 17-position, Socket, angled, M12, coding: A , PCB mounting, Wave soldering, Alternative product in accordance with RoHS II without Exemption 6c (Pb <0.1%) item no.: 1239454

SACC-CI-M12FSY-8CON-L90 - Contact carrier

1424193

<https://www.phoenixcontact.com/us/products/1424193>



Contact carrier CAT5 (IEC 11801:2002), 8-position, Socket, angled, M12, coding: Y , PCB mounting, Wave soldering, Alternative product in accordance with RoHS II without Exemption 6c (Pb <0.1%) item no.: 1239450

ECS-P-122X169-L-UV-2M12 GY - Front plate



1050384

<https://www.phoenixcontact.com/us/products/1050384>

PROT-M12 - Screw plug

1680539

<https://www.phoenixcontact.com/us/products/1680539>



An M12 screw plug for the unoccupied M12 sockets of the sensor/actuator cable, boxes and flush-type connectors

PROT-M12 SH - Screw plug

1503302

<https://www.phoenixcontact.com/us/products/1503302>



An M12 screw plug for the unoccupied M12 sockets of the shielded sensor/actuator cable, boxes and flush-type connectors

ECS-P-122X169-L-UV-2M12 GY - Front plate



1050384

<https://www.phoenixcontact.com/us/products/1050384>

SACC-CI-M12FSX-8CON-L90 - Contact carrier

1424180

<https://www.phoenixcontact.com/us/products/1424180>



Contact carrier, Ethernet CAT6_A (10 Gbps), 8-position, Socket, angled, M12, coding: X , PCB mounting, Wave soldering, Alternative product in accordance with RoHS II without Exemption 6c (Pb <0.1%) item no.: 1237389

Phoenix Contact 2023 © - all rights reserved

<https://www.phoenixcontact.com>

Phoenix Contact USA
586 Fulling Mill Road
Middletown, PA 17057, United States
(+717) 944-1300
info@phoenixcon.com