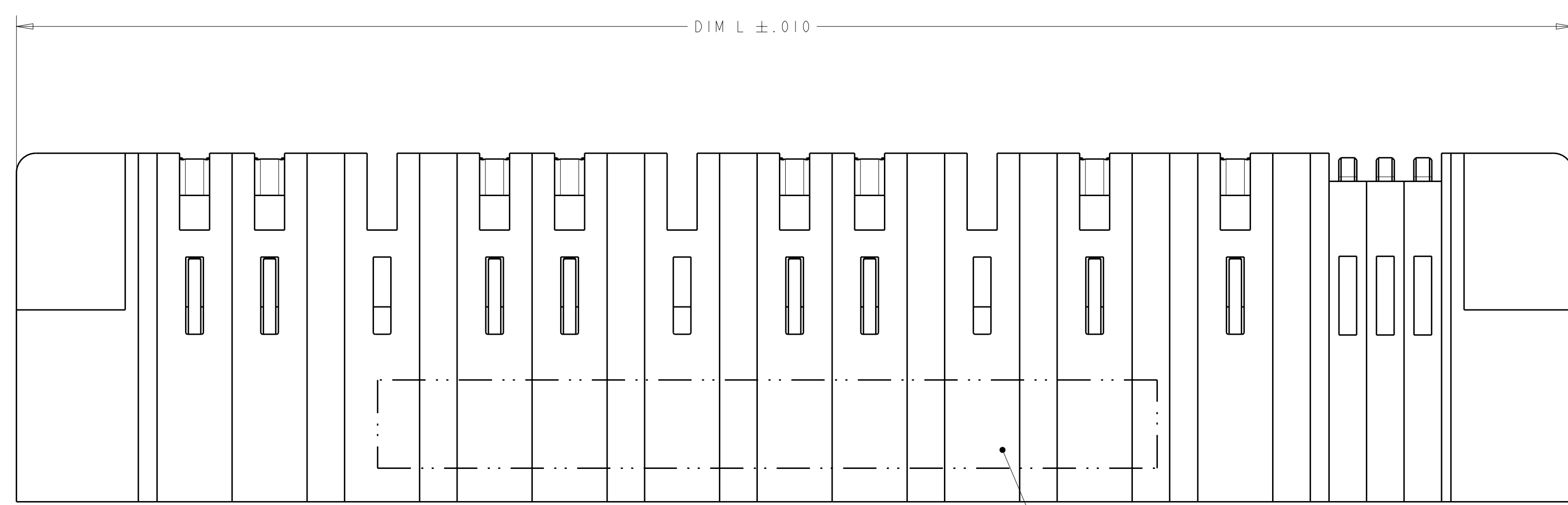
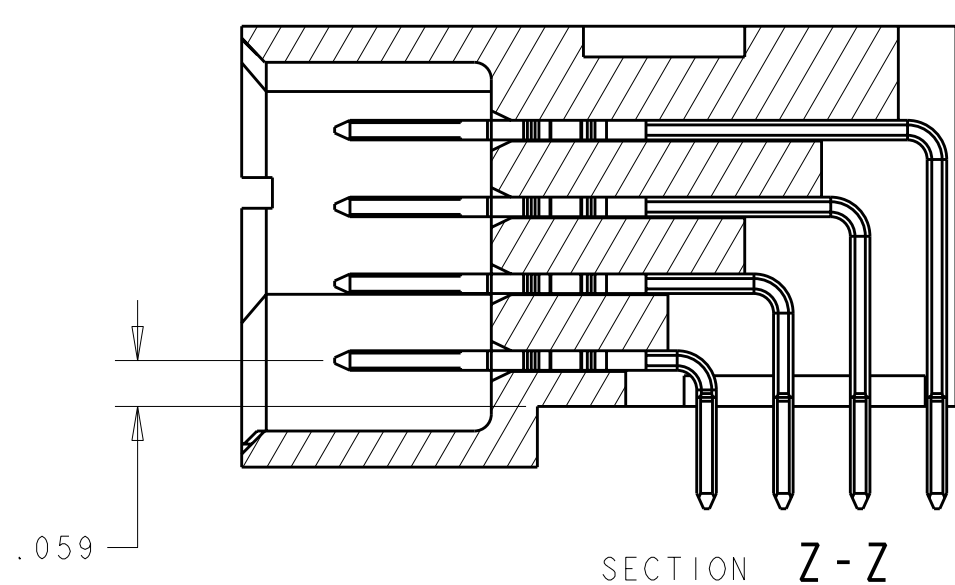
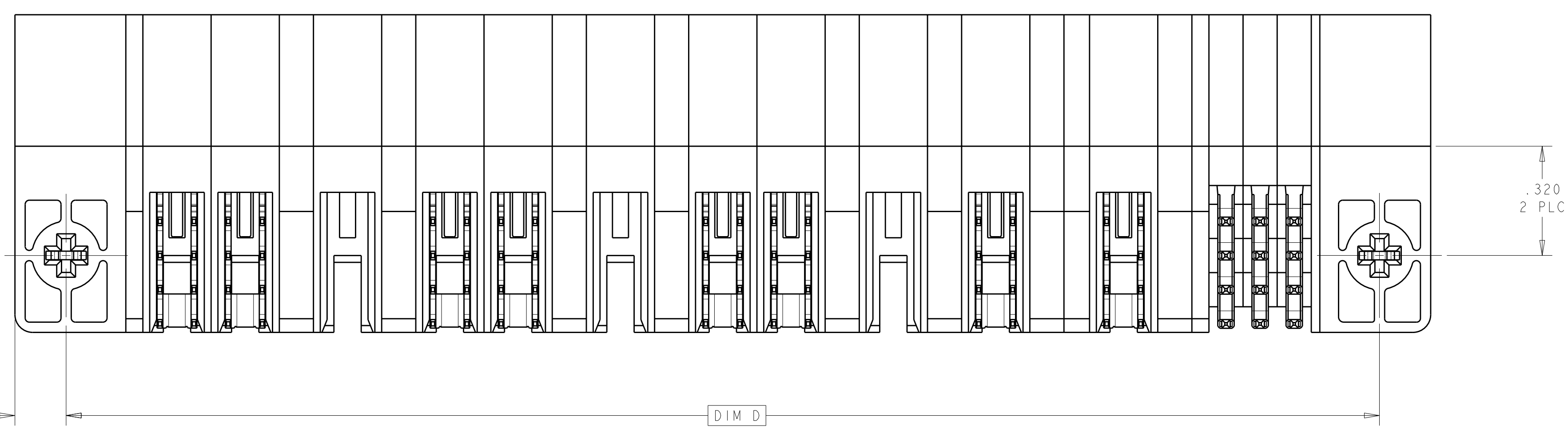
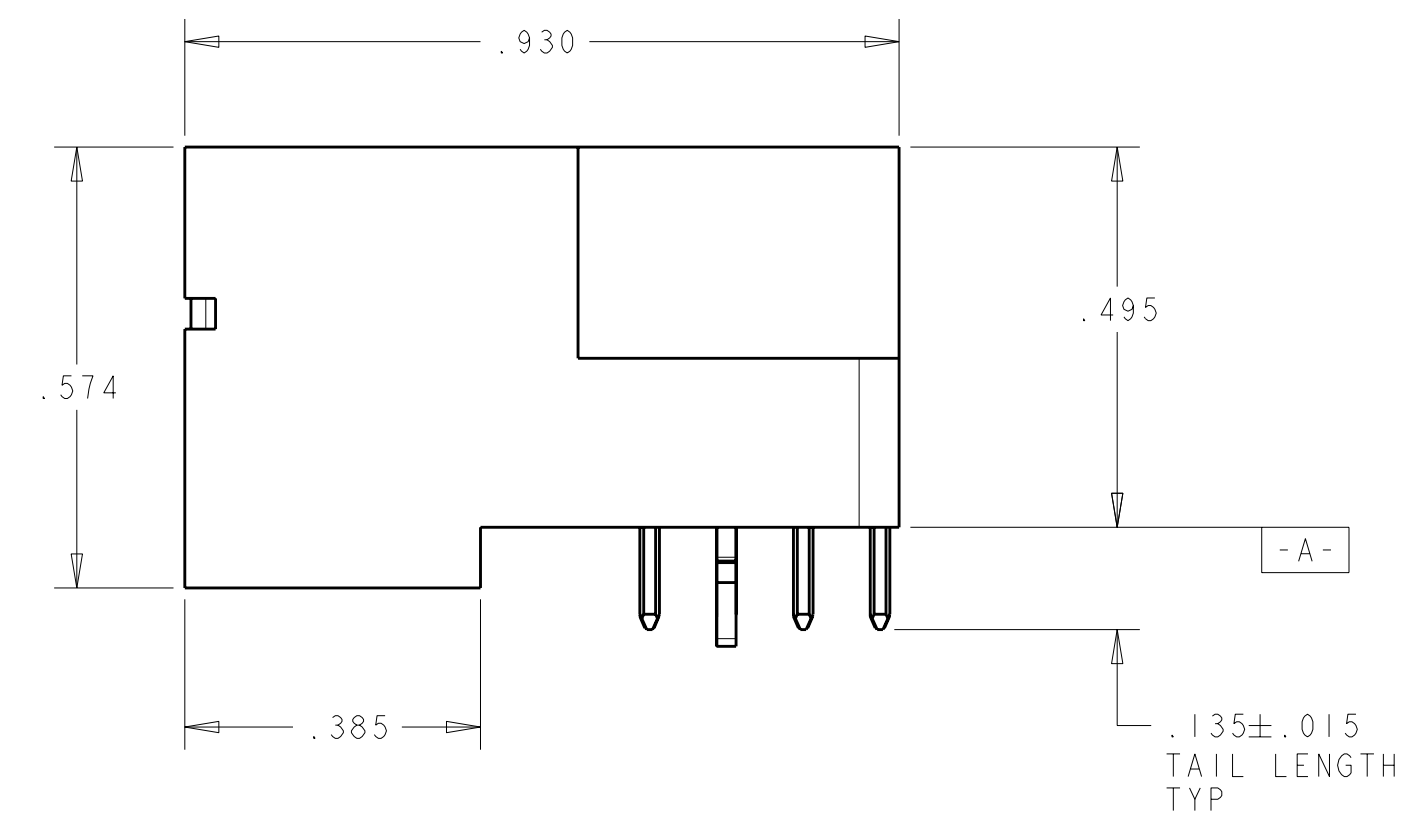
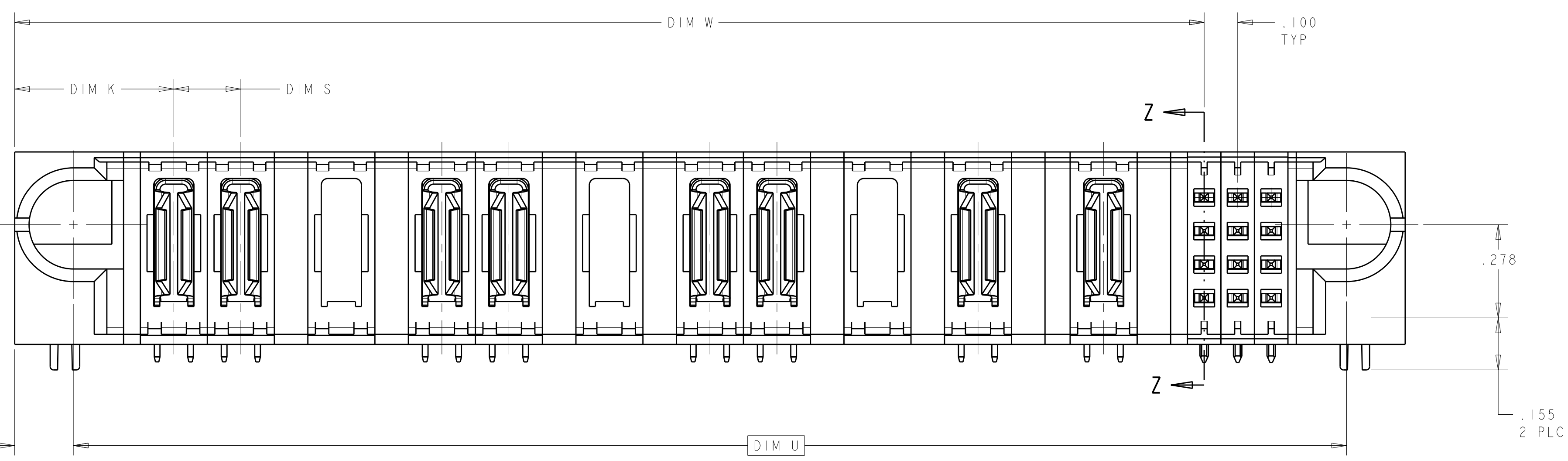


LOC	DIST	REVISIONS			
GP	00	REV	DATE	BY	APPD
		A	REV PER 0S12-0650-04	02MAY2005	RG MP
		B	REV PER ECR-07-017239	23JUL2007	CZ SY
		C	REV PER ECR-09-005280	09MAR2009	CZ SY



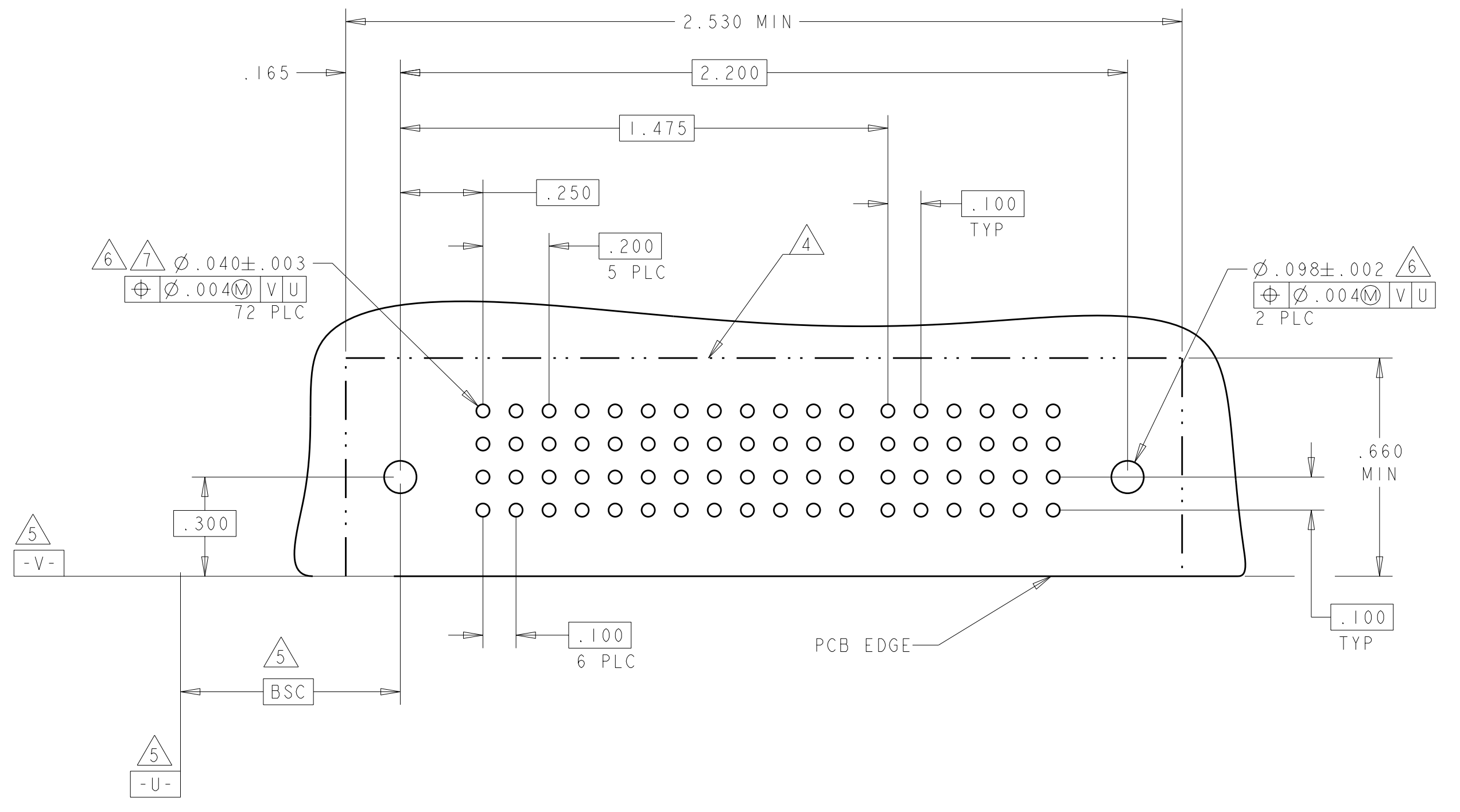
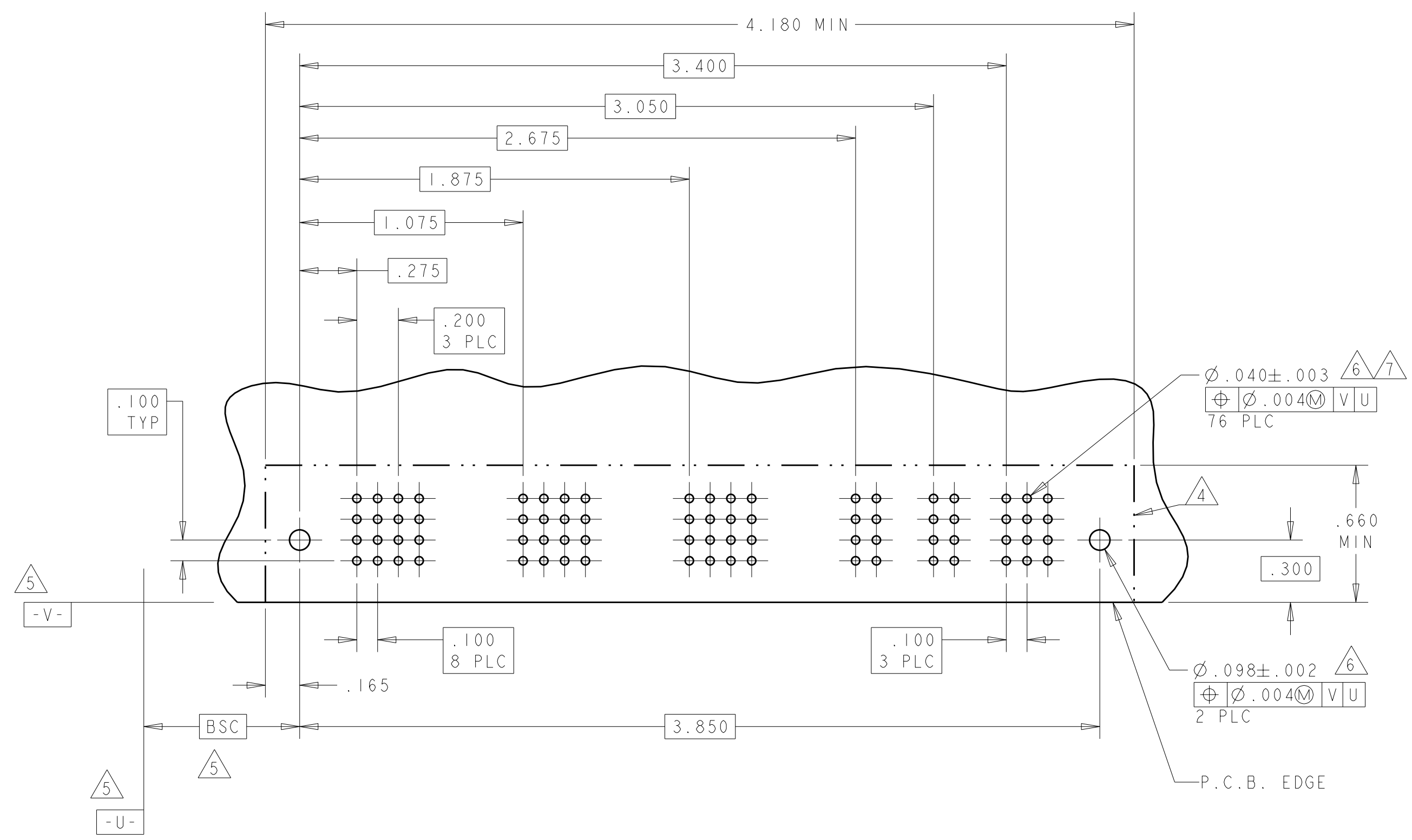
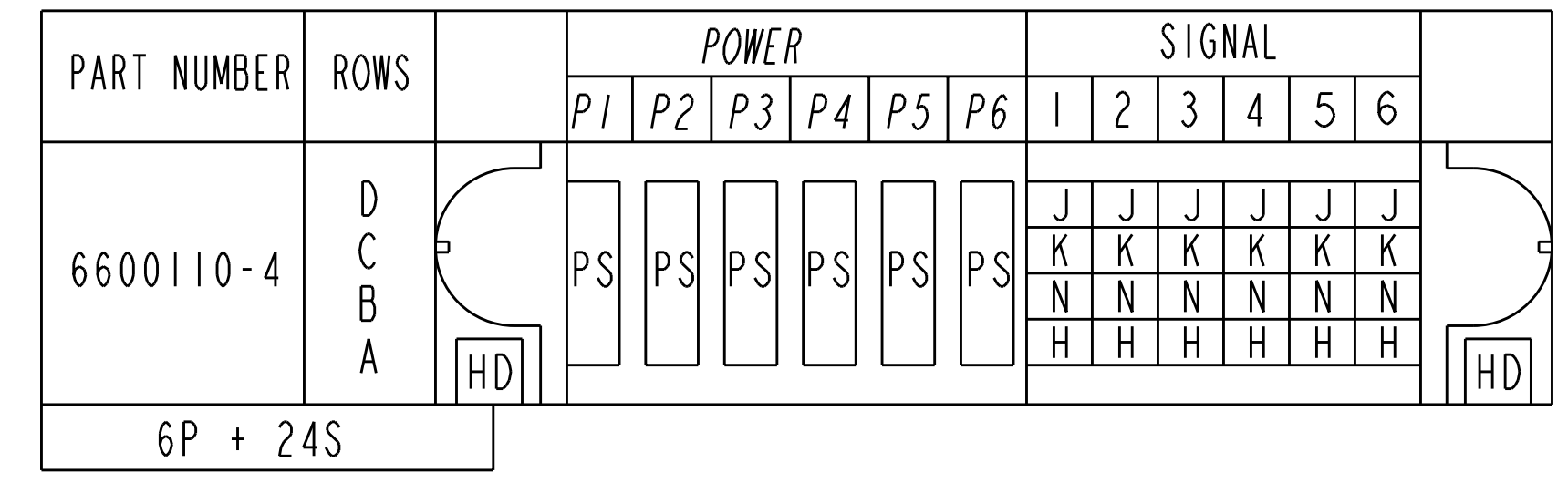
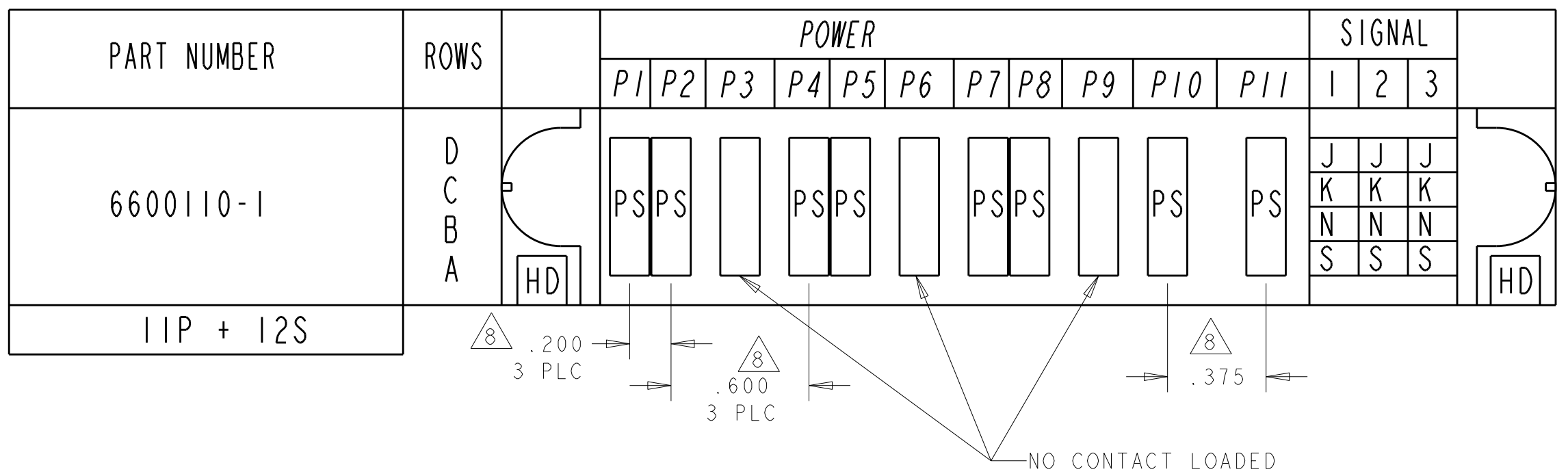
- 1 "AMP" TRADEMARK, PART NUMBER, AND DATECODE TO BE MARKED IN AREA SHOWN
- 2 MATERIAL:
HOUSING - GLASS FILLED HIGH TEMP THERMO PLASTIC, UL94 V-0
SIGNAL CONTACT - COPPER ALLOY
POWER CONTACT - HIGH CONDUCTIVITY COPPER ALLOY
- 3 CONTACT PLATING:
SIGNAL CONTACTS - .000050 MIN Ni UNDER ALL.
.000030 MIN. Au ON CONTACT AREA.
.000100 MIN Sn AT PCB INTERFACE.
POWER CONTACTS - .000050 MIN Ni UNDER ALL.
.000030 MIN. Au ON CONTACT AREA.
.000100 MIN Sn AT PCB INTERFACE.
- 4 MECHANICAL CONNECTOR KEEP OUT ZONE.
- 5 DATUM AND BASIC DIMENSIONS ESTABLISHED BY CUSTOMER.
- 6 PCB - ALL HOLES DIAMETERS ARE FINISHED HOLE SIZES.
- 7 PCB - .0453±.0010 DRILLED HOLES PLATED WITH .0003 MIN. Sn OVER .001 TO .003 CU PLATING TO ACHIEVE A .040±.003 DIA HOLE.
- 8 VARIABLE DIMENSIONS SHOWN ON VIEW (SHEET 2).



.200	1.625	2.150	2.200	.450	2.500	6P + 24S	6600110-4
.200	4.775	5.900	5.950	.425	6.250	22P + 48S	6600110-2
8	3.550	3.800	3.850	.475	4.150	11P + 12S	6600110-1
DIM S	DIM W	DIM U	DIM D	DIM K	DIM L	DESCRIPTION	PART NUMBER

DIMENSIONS: INCHES 		TOLERANCES UNLESS OTHERWISE SPECIFIED: 9 PLC ±. 1 PLC ±.01 5 PLC ±.005 4 PLC ±.0020 ANGLES #2 FINISH #2		DWN R. GRZYBOWSKI 02MAY05 CHK M. PERCHERKE APVD M. PERCHERKE NAME: RIGHT ANGLE SOLDER HEADER ASSEMBLY, DUAL BEAM POWER CONTACT, MULTI-BEAM XL PRODUCT SPEC 108-1973 APPLICATION SPEC 114-13038 WEIGHT - CUSTOMER DRAWING		Tyco Electronics Harrisburg, PA 17105-3608 SCALE 1:1 SHEET 1 OF 3 REV C	
---------------------------	--	---	--	---	--	---	--

LOC	DIST	REV	DATE	BY	APPD
GP	00				
REVISIONS			DESCRIPTION	DATE	BY
			SEE SHEET 1		



CODE	DESCRIPTION	ROW
H	SIGNAL CONTACT, MLBF	A
J	SIGNAL CONTACT, STD	D
K	SIGNAL CONTACT, STD	C
N	SIGNAL CONTACT, STD	B
S	SIGNAL CONTACT, STD	A
PS	POWER CONTACT	-

CONTACTS

DIMENSIONS: INCHES 		TOLERANCES UNLESS OTHERWISE SPECIFIED: 9 PLC ±. 1 PLC ±.01 2 PLC ±.01 3 PLC ±.005 4 PLC ±.0020 ANGLES #2		DWN R. GRZYBOWSKI 02MAY05 CHK M. PERCHERKE 02MAY05 APVD M. PERCHERKE PRODUCT SPEC 108-1973 APPLICATION SPEC 114-13038 WEIGHT CUSTOMER DRAWING		Tyco Electronics Harrisburg, PA 17105-3608 NAME RIGHT ANGLE SOLDER HEADER ASSEMBLY, DUAL BEAM POWER CONTACT, MULTI-BEAM XL SIZE CAGE CODE DRAWING NO RESTRICTED TO A11 00779 C=6600110 SCALE 1:1 SHEET 2 OF 3 REV C	
---------------------------	--	--	--	---	--	---	--

