

## Test procedure of SECO-LVDCDC3064-IGBT-GEVB

### Necessary equipment:

- Regulated DC source
- 4 x DC volt-meter
- 4 x DC amp-meter
- 3 channel electronic load

### Test Procedure:

- Connect the test setup as shown in the figure 1.
- Set 15V on DC source
- During no load state measure 8V at P7V5, -8V at N7V5 and 16.2V at P15V branch (tolerance for each of branch is  $\pm 2\%$ )
- During full load state (50mA at each of branch) measure 7.5V at P7V5, -7.5V at N7V5 and 15.3V at P15V (tolerance for each of branch is  $\pm 2\%$ )

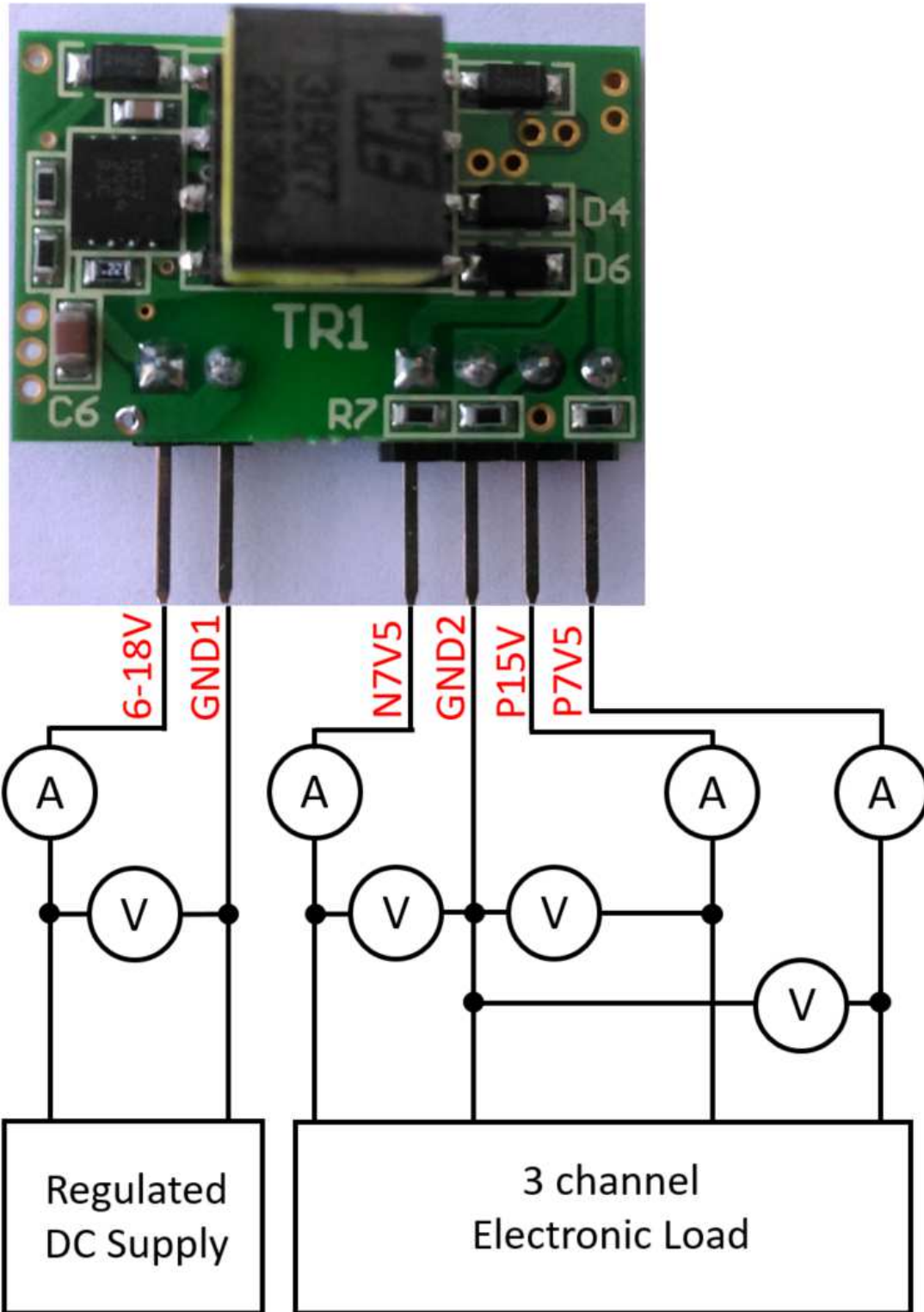


Figure 1. Test setup