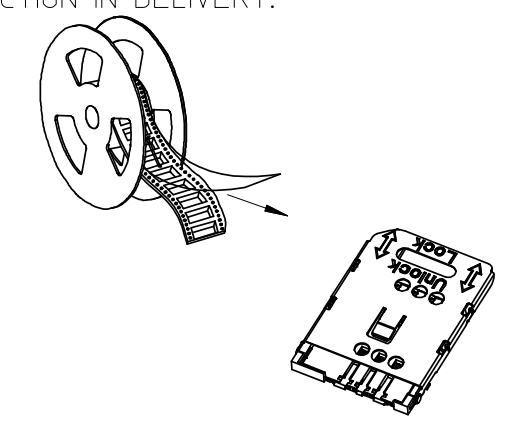


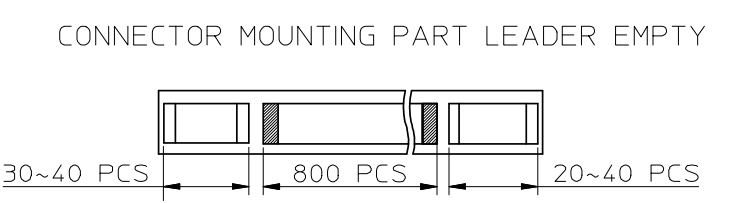
Section A-A
Scale 2:1

NOTES :
 1.MATERIAL:
 CARRIER TAPE:BLACK CONDUCTIVE POLYSTYRENE ALLOY,THICKNESS:0.40mm
 COVER TAPE:COLD SEAL POLYESTER, THICKNESS:0.06mm REF, TRANSPARENT
 2.10 SPROCKET HOLE PITCH CUMUANTIVE TOLLENANCE±0.20mm
 3.QUANTITY 800PCS /REEL
 4.REELING DIRECTION IN DELIVERY.

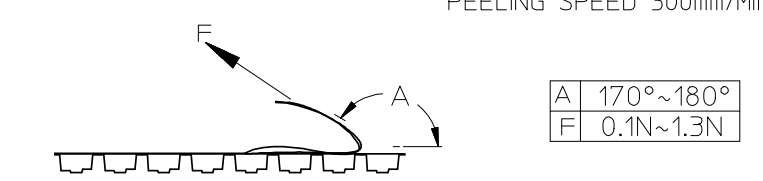


DIRECTION OF CONNECTOR

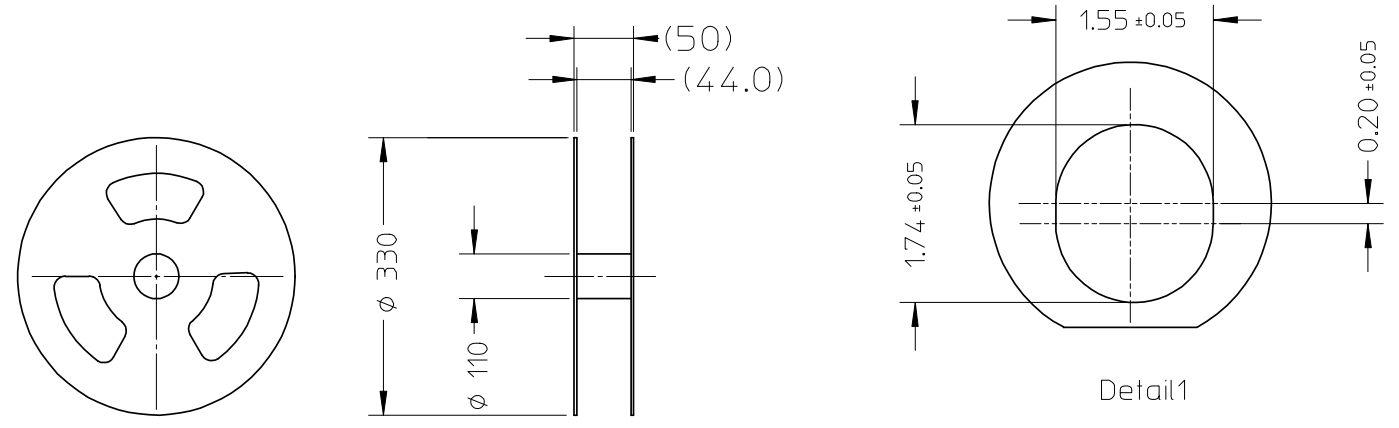
5.USER DIRECTION OF FEED
 6.COVER TAPE PEELING FORCE



USER DIRECTION OF FEED
 PEELING SPEED 300mm/Min.(REF.)

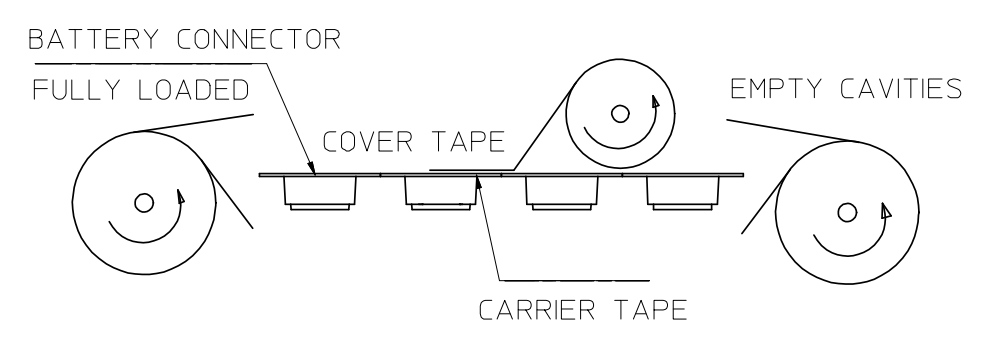


A	170°~180°
F	0.1N~1.3N



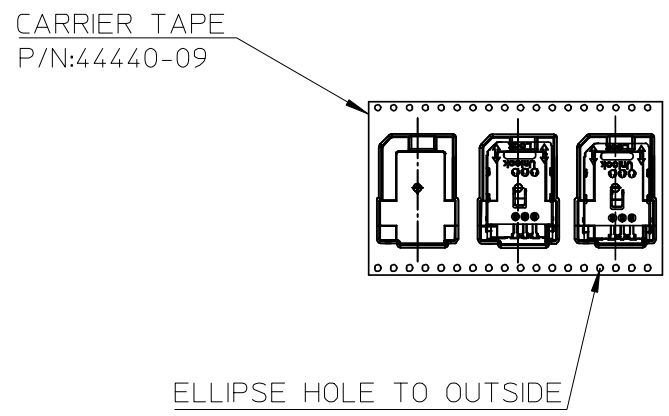
Detail1

REEL



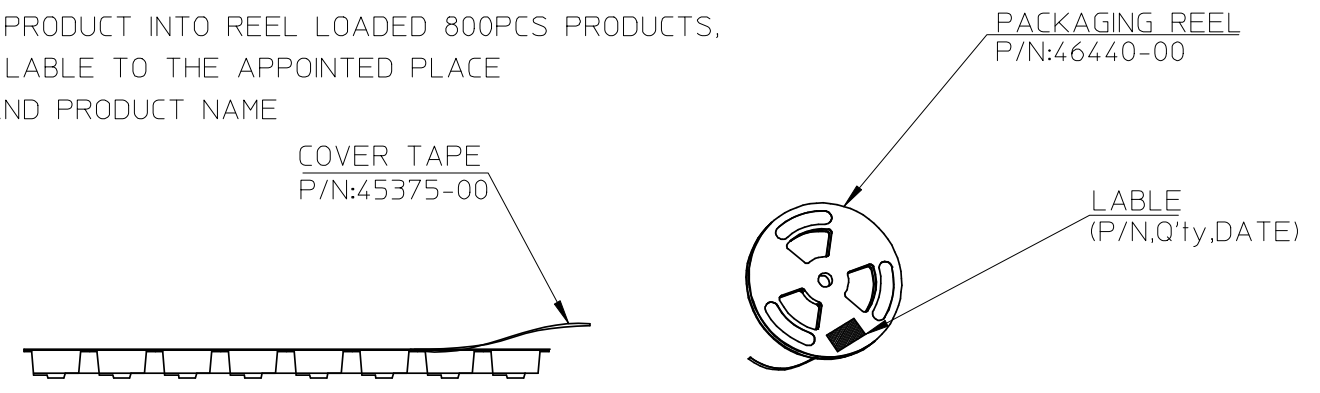
ADD P/N EC NO: SH2008-0066 DRWN:YWANG91 CHKD:XIXU APPR:HWANG	REV D	DESCRIPTION 2007/08/06 2007/08/07 2007/08/09	QUALITY SYMBOLS	GENERAL TOLERANCES (UNLESS SPECIFIED)	DIMENSION STYLE MM ONLY	SCALE 1:1	DESIGN UNITS METRIC	THIRD ANGLE PROJECTION
			▽=0 ∇=0					
DRAFT WHERE APPLICABLE MUST REMAIN WITHIN DIMENSIONS				4 PLACES ± --- ± --- 3 PLACES ± --- ± --- 2 PLACES ± 0.10 ± --- 1 PLACE ± 0.2 ± --- ANGULAR ± 2 °	CHECKED BY XIXU	DATE 2006/06/19	MOLEX MOLEX INCORPORATED	
					MATERIAL NO. 47388*001	DOCUMENT NO. PK-47388-001	SHEET NO. 1 OF 2	
					THIS DRAWING CONTAINS INFORMATION THAT IS PROPRIETARY TO MOLEX INCORPORATED AND SHOULD NOT BE USED WITHOUT WRITTEN PERMISSION			

1.PUT THE 1.90MM SIM CARD CHECKED INTO CARRIER TAPE AS THE FOLLOWING FIGURE
 2.THE PRODUCT LAY DIRECTION MUST BE TRUE.
 IT MUST SET ASIDE 25~30 cm SPACE AT FRONT AND END OF CARRIER TAPE PER REEL

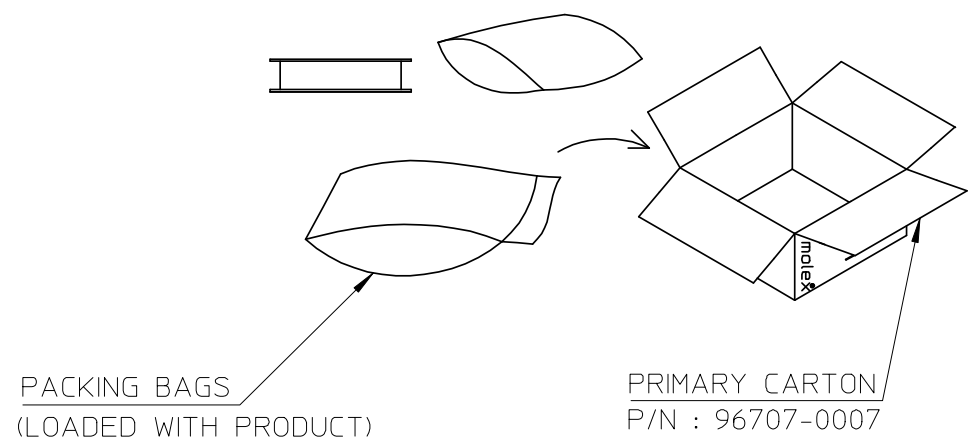


PRODUCT P/N	PARTS PER SHIPPING CARTON (S.P.Q)	PARTS PER PRIMARY CARTON	PARTS PER REEL	TOTAL REELS PER PRIMARY CARTON
47388*001	4800PCS	2400PCS	800PCS	3

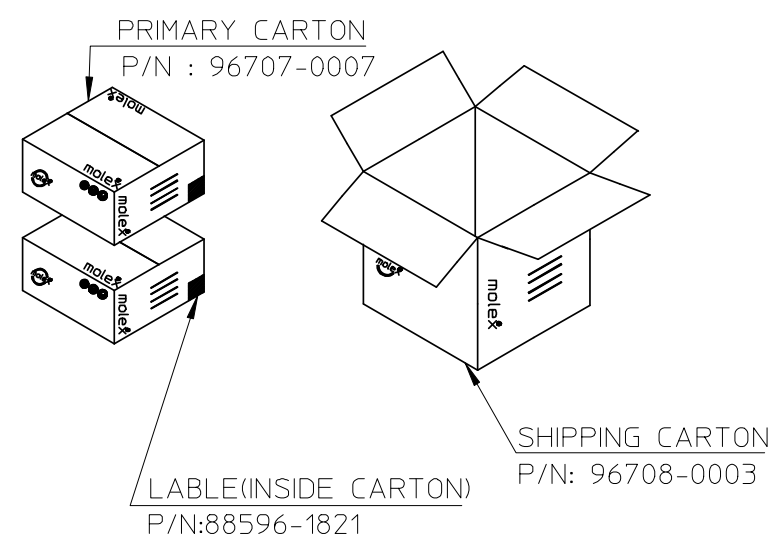
3.OVERLAY COVER TAPE ONTO CARRIER TAPE FILLED WITH PRODUCT
 4.PACKAGING THE PRODUCT INTO REEL LOADED 800PCS PRODUCTS, AND ATTACH A LABEL TO THE APPOINTED PLACE
 5.INDICATED P/N AND PRODUCT NAME



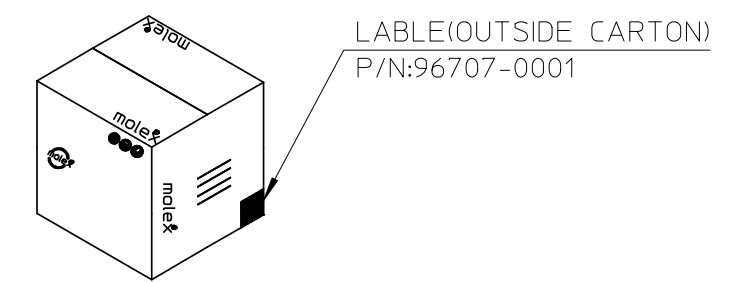
6.PUT PER REEL INTO A PLASTIC BAG,AND CLOSED THE BAG THEN LOAD IN PRIMARY CARTON;3 BAGS / PER PRIMARY CARTON



7. 2 PRIMARY CARTON/ PER SHIPPING CARTON
 8. ATTACH A LABEL TO APPOINTED PLACE ON PRIMARY CARTON AND INDICATED P/N,QUANTITY,DATA



9.STAPLES SHOULD ONLY BE USED TO SET UP CARTON.ALL CARTONS CLOSURES MUST BE DONE WITH TAPE.
 10.ATTACH A LABEL TO APPOINTED PLACE ON SHIPPING CARTON AND INDICATED P/N,QUANTITY,DATA



NOTES :
 1.STAPLES SHOULD ONLY BE USED TO SET UP CARTON.ALL CARTONS CLOSURES MUST BE DONE WITH TAPE.
 2.FILL PACKAGING BAGS WITH THE QUANTITIES AS INDICATED IN THE CHART
 3.A QUANTITY OF 2,400PCS COVERS PER PRIMARY CARTON,A QUANTITY OF 4,800PCS COVERS PER SHIPPING CARTON.

ADD P/N EC NO: SH2008-0066 DRWN:YWANG91 CHKD:XIXU APPR:HWANG	2007/08/06 2007/08/07 2007/08/09	DESCRIPTION REV	QUALITY SYMBOLS ▽=0 ▽=0	GENERAL TOLERANCES (UNLESS SPECIFIED)		DIMENSION STYLE MM ONLY		SCALE 2:1	DESIGN UNITS METRIC	THIRD ANGLE PROJECTION	
				mm	INCH	DRAWN BY	DATE	TITLE PACKAGING 1.90MM SIM CARD READER CONNECTOR			
			4 PLACES	± ---	± ---	YWANG	2006/06/19				
			3 PLACES	± ---	± ---	CHECKED BY	DATE	MOLEX INCORPORATED			
2 PLACES	± 0.10	± ---	XIXU	2006/06/19							
1 PLACE	± 0.2	± ---	APPROVED BY	DATE	MATERIAL NO. 47388*001		DOCUMENT NO. PK-47388-001	SHEET NO. 2 OF 2			
DRAFT WHERE APPLICABLE MUST REMAIN WITHIN DIMENSIONS				ANGULAR ± 2 °		THIS DRAWING CONTAINS INFORMATION THAT IS PROPRIETARY TO MOLEX INCORPORATED AND SHOULD NOT BE USED WITHOUT WRITTEN PERMISSION					