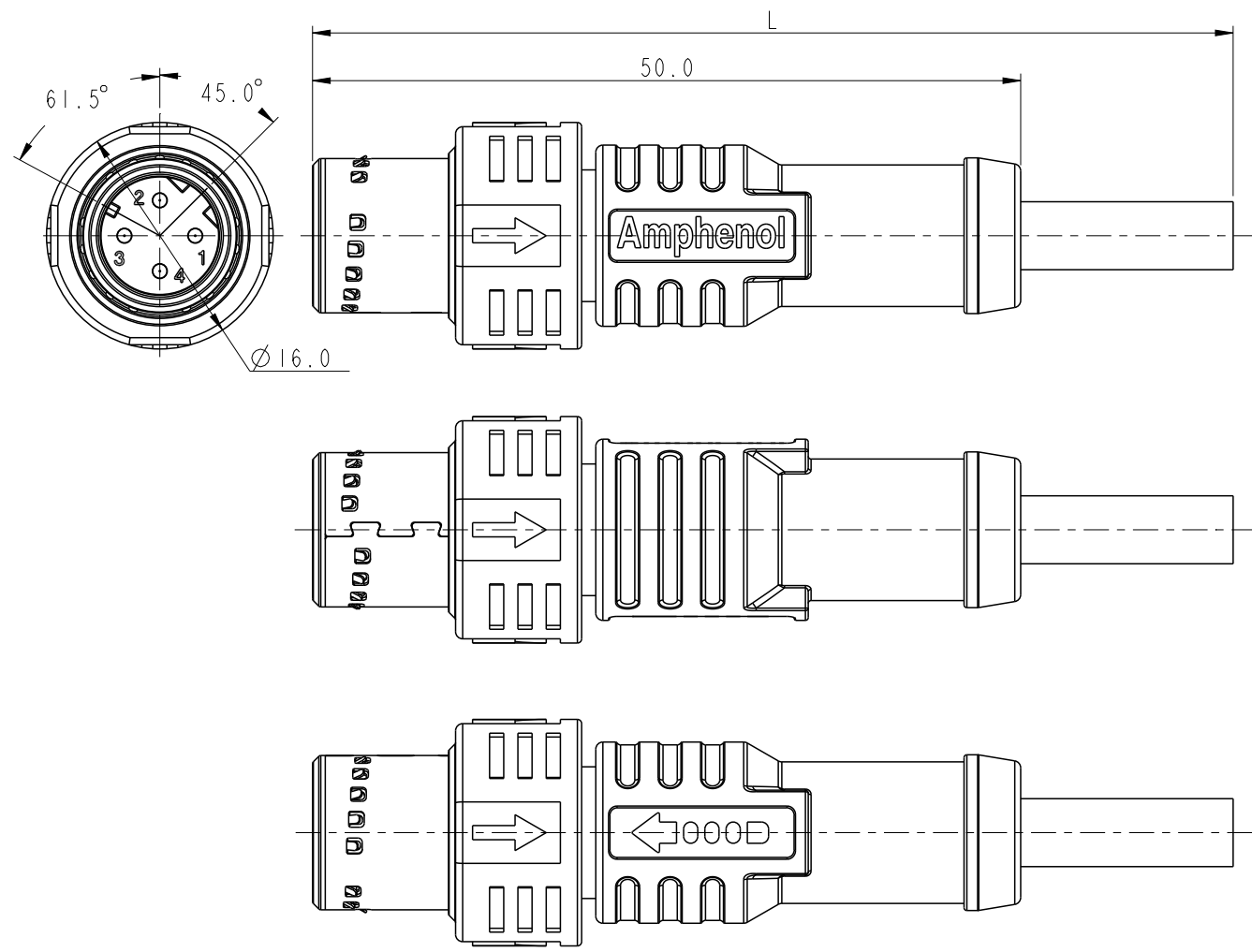


THIS DOCUMENT IS SUBJECT TO CHANGE WITHOUT NOTICE. IT IS CONFIDENTIAL AND A PROPERTY OF Amphenol LTW. DISCLOSURE TO THIRD PARTY HAS TO BE AUTHORIZED BY Amphenol LTW.

REV.	ECN NO.	DATE	SIGN	DESCRIPTION
A		2020-08-26	Sam Ho	New Release



Notes:  
 Material Specification:  
 \* Housing: Thermoplastic, UL94V-0, Black.  
 \* Male Pin: Copper Alloy, Gold Plated.  
 \* Shell & Latch & Spring: Metal.  
 \* Outer Mold: Thermoplastic, Black.

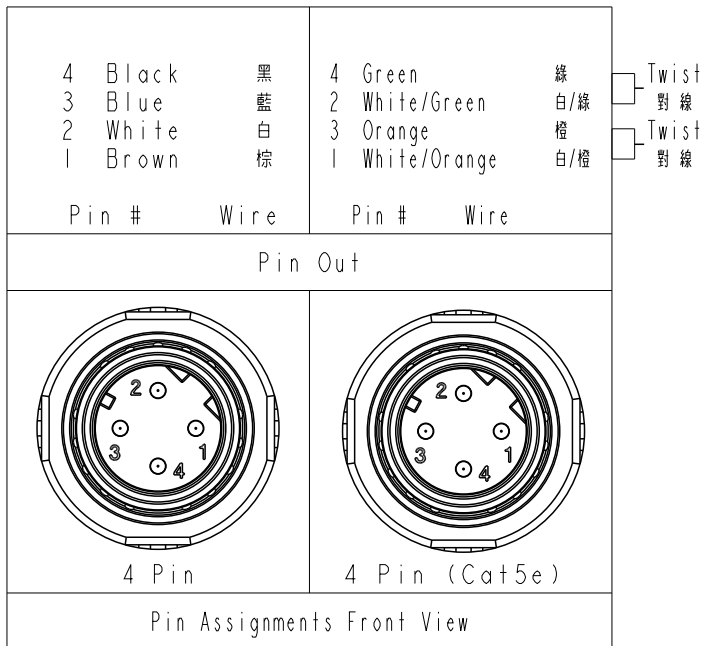
Electrical Specification:  
 \* Contact Resistance: 10mΩ (Max.)  
 \* Insulation Resistance: 100MΩ (Min.)  
 \* Voltage Proof: 2.5KV  
 \* Rated Voltage: 250V D.C. or A.C.  
 \* Rated Current: 4.0A

Mechanical Specification:  
 \* Durability: 500 Cycles.

Environmental Specification:  
 \* Waterproof Rate: IP68.  
 \* Temperature Range:  
 -20~+80°C For PVC Cable  
 -20~+85°C For PU Cable

UNIT: mm	TOLERANCE		TITLE		Amphenol LTW 安費諾亮泰企業股份有限公司	ITEM NO.	DRAWN BY	DATE
	±0.50mm		M12 D Code Push Pull Type Cable			M12D-04BMMM-PL8XXX	Sam Ho	2020-08-26
	SCALE	SIZE	SHEET	OF		DWG NO.	CHECKED BY	DATE
2:1	A4	1	2	M12D-04BMMM-PL8XXX	Fred Lee	2020-08-26		
REV.	WC-REV.	QC: Inspection item		CUSTOMER	APPROVED BY	DATE		
A				ALTW	Fred Lee	2020-08-26		

THIS DOCUMENT IS SUBJECT TO CHANGE WITHOUT NOTICE. IT IS CONFIDENTIAL AND A PROPERTY OF AMPHENOL LTW. DISCLOSURE TO THIRD PARTY HAS TO BE AUTHORIZED BY AMPHENOL LTW.



4 Pin	PU	6.2	22	MI2D-04BMMM-PL8EXX
	PVC	4.8		MI2D-04BMMM-PL8DXX
	PUR	4.0		MI2D-04BMMM-PL8BXX
	PVC	4.8		MI2D-04BMMM-PL8AXX
Contacts	Cable Jacket	Cable OD	AWG	Item No.

MI2D-04BMMM-PL8 X XX

- XX: L=0~99Meters
- 01: L=1Meters
- 02: L=2Meters
- ⋮
- 99: L=99Meters

- A: PCV UL2517 Cable, Yellow.
- B: PUR UL20549 Cable, Black.
- D: PCV UL2517 Cable, Black.
- E: PU Cat5e Cable, Black.

UNIT: mm

TOLERANCE  
±0.50mm

TITLE MI2 D Code Push Pull Type Cable			
SCALE 2:1	SIZE A4	SHEET 2 OF 2	
REV. A	WC-REV.	☉: Inspection item	

Amphenol LTW

安費諾亮泰企業股份有限公司

ITEM NO MI2D-04BMMM-PL8XXX	DRAWN BY Sam Ho	DATE 2020-08-26
DWG NO MI2D-04BMMM-PL8XXX	CHECKED BY Fred Lee	DATE 2020-08-26
CUSTOMER ALTW	APPROVED BY Fred Lee	DATE 2020-08-26