

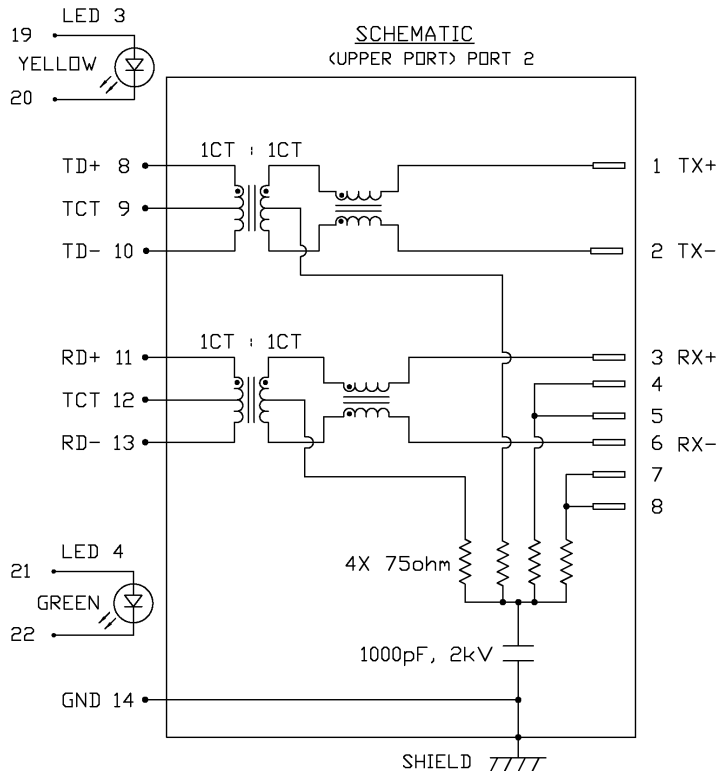
THE INFORMATION CONTAINED HEREIN IS CONSIDERED "PROPRIETARY" TO BEL FUSE INC. AND SHALL NOT BE COPIED, REPRODUCED OR DISCLOSED WITHOUT THE WRITTEN APPROVAL OF BEL FUSE INC.

LED 3 POLARITY			LED 4 POLARITY		
PIN 19	PIN 20	COLOR	PIN 21	PIN 22	COLOR
+	-	YELLOW	+	-	GREEN



ELECTRICAL CHARACTERISTICS @ 25°C

URNS RATIO	
TX	1CT : 1CT ±3%
RX	1CT : 1CT ±3%
DCL @ 100kHz/100mVRMS	
8mA DC BIAS	350µH MIN.
INS. LOSS	
1MHZ TO 100MHZ	-1.0 dB MAX
RET. LOSS (MIN)	
1MHZ-30MHZ	-18 dB
30MHZ-60MHZ	-18+20LOG(F/30MHZ) dB
60MHZ-80MHZ	-12 dB
CROSS TALK (TX - RX)	
500kHz-1MHZ	-70 dB MIN
10 MHZ	-50 dB MIN
30 MHZ	-45 dB MIN
50 MHZ	-40 dB MIN
100 MHZ	-35 dB MIN
CM TO CM REJ	
100kHz-1MHZ	-70 dB MIN
10 MHZ	-47 dB MIN
30 MHZ	-42 dB MIN
60 MHZ	-37 dB MIN
100 MHZ	-30 dB MIN
CM TO DM REJ	
100kHz-1MHZ	-70 dB MIN
10 MHZ	-60 dB MIN
30 MHZ	-50 dB MIN
60 MHZ	-45 dB MIN
100 MHZ	-40 dB MIN
HIPDT (Isolation Voltage):	
	1500 Vrms
LED 3 (Super bright)	
VF (FORWARD VOLTAGE)	IF=20mA YELLOW 2.1V TYP.
λD (DOMINANT WAVELENGTH)	IF=20mA YELLOW 590nm TYP.
LED 4 (Super bright)	
VF (FORWARD VOLTAGE)	IF=20mA GREEN 2.2V TYP.
λD (DOMINANT WAVELENGTH)	IF=20mA GREEN 565nm TYP.



ORIGINATED BY CHUNG	DATE 12-14-05	TITLE 2X1 MagJack® (with LED)	PART NO. / DRAWING NO. 0845-2D1T-H5	STANDARD DIM. TOL. IN INCH	[] METRIC DIM. AS REFERENCE
			FILE NAME 08452D1TH5B.DWG	.X .XX .XXX	UNIT : INCH [mm] SCALE : N/A REV. : B
DRAWN BY DE	DATE 12-14-05				SIZE : A4 PAGE : 2



THE INFORMATION CONTAINED HEREIN IS CONSIDERED "PROPRIETARY" TO BEL FUSE INC. AND SHALL NOT BE COPIED, REPRODUCED OR DISCLOSED WITHOUT THE WRITTEN APPROVAL OF BEL FUSE INC.



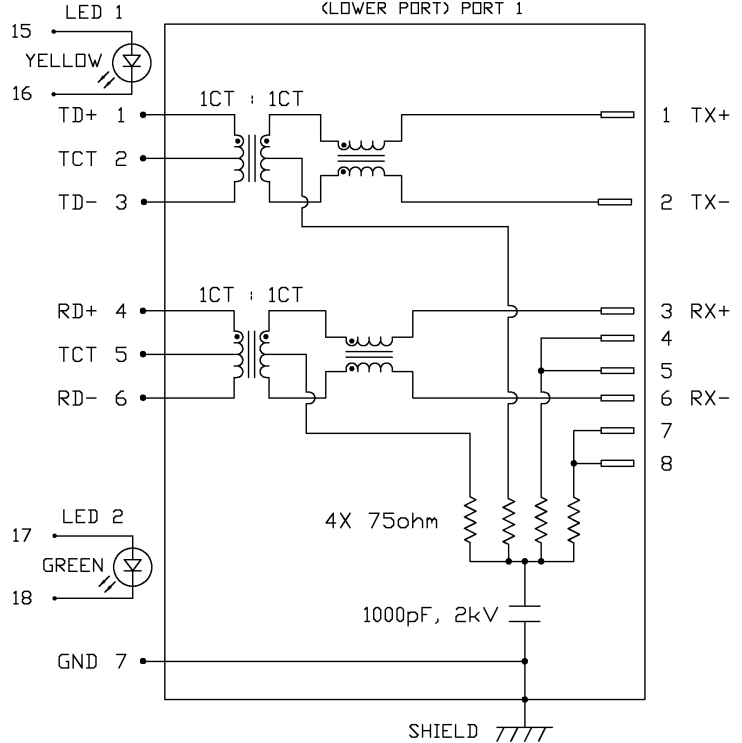
LED 1 POLARITY			LED 2 POLARITY		
PIN 15	PIN 16	COLOR	PIN 17	PIN 18	COLOR
+	-	YELLOW	+	-	GREEN

ELECTRICAL CHARACTERISTICS @ 25°C

URNS RATIO			
TX	1CT : 1CT ±3%		
RX	1CT : 1CT ±3%		
OCL @ 100kHz/100mVRMS			
8mA DC BIAS	350µH MIN.		
INS. LOSS			
1MHZ TO 100MHZ	-1.0 dB MAX		
RET. LOSS (MIN)			
1MHZ-30MHZ	-18 dB		
30MHZ-60MHZ	-18+20LOG(F/30MHZ) dB		
60MHZ-80MHZ	-12 dB		
CROSS TALK (TX - RX)			
500kHz-1MHz	-70 dB MIN		
10 MHz	-50 dB MIN		
30 MHz	-45 dB MIN		
50 MHz	-40 dB MIN		
100 MHz	-35 dB MIN		
CM TO CM REJ			
100kHz-1MHz	-70 dB MIN		
10 MHz	-47 dB MIN		
30 MHz	-42 dB MIN		
60 MHz	-37 dB MIN		
100 MHz	-30 dB MIN		
CM TO DM REJ			
100kHz-1MHz	-70 dB MIN		
10 MHz	-60 dB MIN		
30 MHz	-50 dB MIN		
60 MHz	-45 dB MIN		
100 MHz	-40 dB MIN		
HIPDT (Isolation Voltage):	1500 Vrms		
LED 1			
V _F (FORWARD VOLTAGE)	I _F =20mA	YELLOW	2.1V TYP.
λ _D (DOMINANT WAVELENGTH)	I _F =20mA	YELLOW	590nm TYP.
LED 2			
V _F (FORWARD VOLTAGE)	I _F =20mA	GREEN	2.2V TYP.
λ _D (DOMINANT WAVELENGTH)	I _F =20mA	GREEN	565nm TYP.

SCHEMATIC

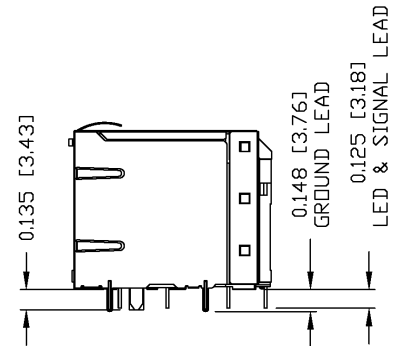
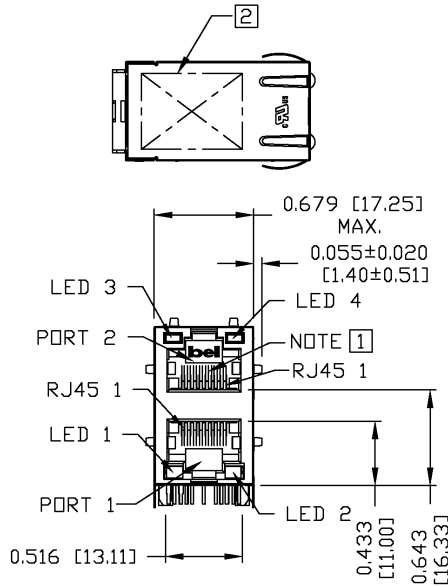
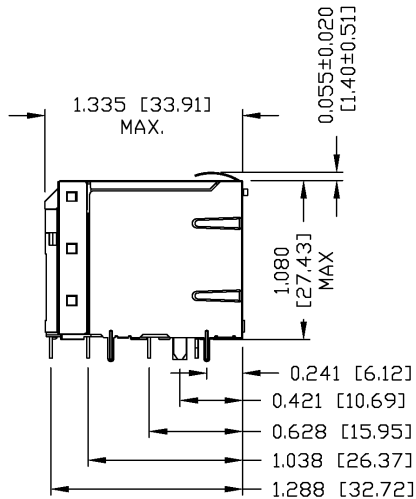
(LOWER PORT) PORT 1



ORIGINATED BY	DATE	TITLE	PART NO. / DRAWING NO.	STANDARD DIM. TOL. IN INCH	[] METRIC DIM. AS REFERENCE
CHUNG	12-14-05	2X1 MagJack® (with LED)	0845-2D1T-H5	.X	UNIT : INCH [mm] REV. : B
DRAWN BY	DATE		FILE NAME	.XX	SCALE : N/A SIZE : A4
DE	12-14-05		08452D1TH5B.DWG	.XXX	PAGE : 3



THE INFORMATION CONTAINED HEREIN IS CONSIDERED "PROPRIETARY" TO BEL FUSE INC. AND SHALL NOT BE COPIED, REPRODUCED OR DISCLOSED WITHOUT THE WRITTEN APPROVAL OF BEL FUSE INC.



NOTES:

PLASTIC HOUSING: THERMOPLASTIC PBT
 FLAMMABILITY RATING UL 94V-0
 CONTACT PLATING: 50 MICRO-INCH HARD GOLD PLATING
 OUTPUT PINS: TIN-COATED COPPER WIRE, DIA 0.018 INCH.
 METAL SHIELD: NICKEL PLATED ON COPPER ALLOY.
 (ALL GROUND LEADS ARE SOLDER DIPPED)

[1] JACK CAVITY CONFORMS TO FCC RULES AND REGULATIONS, PART 68 SUBPART F.

[2] MARK PART WITH MFG LOGO, MFG NAME, PART NUMBER, AND DATE CODE.

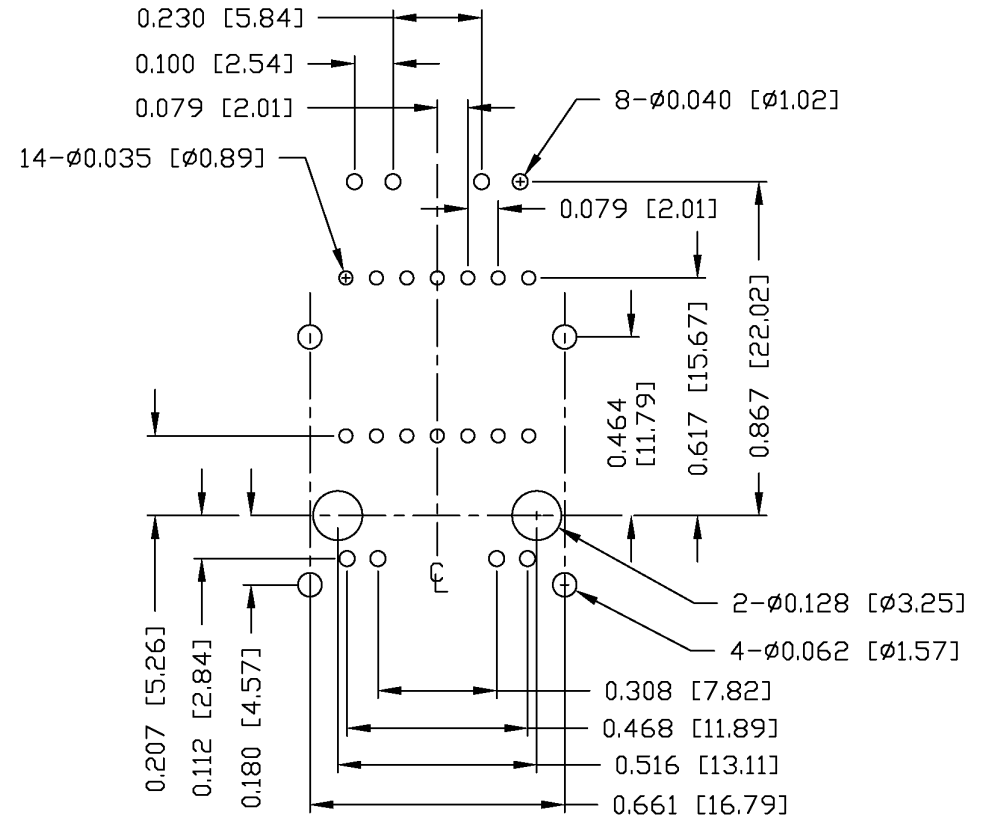
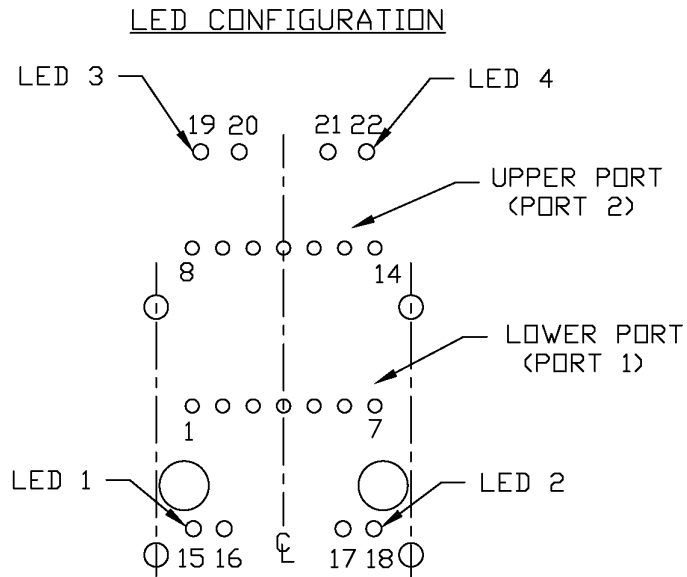
RoHS COMPLIANCE, PER EU DIRECTIVE 2002/95/EC.

c us UL RECOGNIZED - FILE #E196366 AND E169987.

ORIGINATED BY BILL/KEUNG	DATE 12-14-05	TITLE 2X1 MagJack® (with LED)	PART NO. / DRAWING NO. 0845-2D1T-H5		STANDARD DIM. TOL. IN INCH		[] METRIC DIM. AS REFERENCE	
			FILE NAME 08452D1TH5B.DWG		.X .XX .XXX	±0.010	UNIT : INCH [mm] SCALE : N/A	REV. : B SIZE : A4 PAGE : 4
DRAWN BY QIN	DATE 12-14-05							bel COMPONENTS ON A CONNECTED PLANE

THE INFORMATION CONTAINED HEREIN IS CONSIDERED 'PROPRIETARY' TO BEL FUSE INC. AND SHALL NOT BE COPIED, REPRODUCED OR DISCLOSED WITHOUT THE WRITTEN APPROVAL OF BEL FUSE INC.

RoHS
2002/95/EC



PIN-OUT INFORMATION
(COMPONENT SIDE VIEW)
(SCALE 2:1)

SUGGESTED FOOTPRINT
(COMPONENT SIDE VIEW)
(SCALE 2:1)

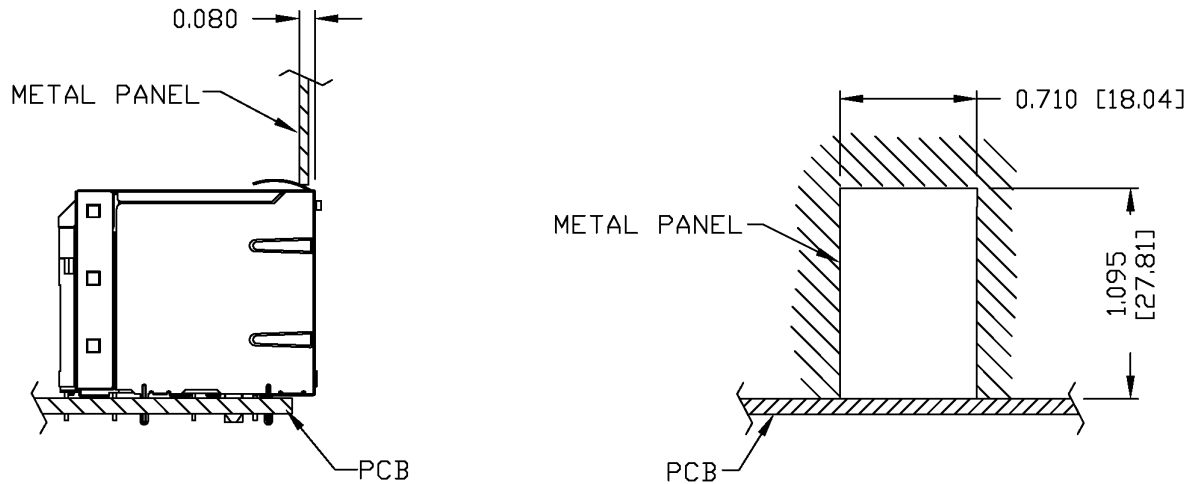
ORIGINATED BY BILL/KEUNG	DATE 12-14-05	TITLE 2X1 MagJack® (with LED)	PART NO. / DRAWING NO. 0845-2D1T-H5	STANDARD DIM. TOL. IN INCH	[] METRIC DIM. AS REFERENCE
			FILE NAME 08452D1TH5B.DWG	.X .XX .XXX ±0.010	UNIT : INCH [mm] REV. : B SCALE : N/A SIZE : A4 PAGE : 5



THE INFORMATION CONTAINED HEREIN IS CONSIDERED "PROPRIETARY" TO BEL FUSE INC. AND SHALL NOT BE COPIED, REPRODUCED OR DISCLOSED WITHOUT THE WRITTEN APPROVAL OF BEL FUSE INC.



SUGGESTED PANEL OPENING



NOTE:

THE DISTANCE OF PANEL INSIDE SURFACE RELATIVE TO FRONT SURFACE OF PART IS ONLY A SUGGESTION. IN CASE THIS DISTANCE IS DIFFERENT, THE REQUIRED PANEL OPENING DIMENSIONS CHANGE ACCORDINGLY.

PACKING INFORMATION

PACKING TRAY: 0200-9999-H5 (TOP)
0200-9999-H6 (BOTTOM)

PACKING QUANTITY: 40 PCS FINISHED GOODS PER TRAY
6 TRAYS (240 PCS FINISHED GOODS) PER CARTON BOX.

NOTE: CARDBOARD ARE PLACED BETWEEN LAYERS OF PACKING TRAY INSIDE CARTON BOX.
(INCLUDE THE UPPERMOST AND LOWEREST TRAY)

ORIGINATED BY BILL/KEUNG	DATE 12-14-05	TITLE 2X1 MagJack® (with LED)	PART NO. / DRAWING NO. 0845-2D1T-H5		STANDARD DIM. TOL. IN INCH		[] METRIC DIM. AS REFERENCE	
			FILE NAME 08452D1TH5B.DWG		.X	±0.005	UNIT : INCH [mm]	REV. : B
DRAWN BY QIN	DATE 12-14-05		.XX	SCALE : N/A	SIZE : A4			
			.XXX	⊕	PAGE : 6			

