

CUSTOMER PRINT

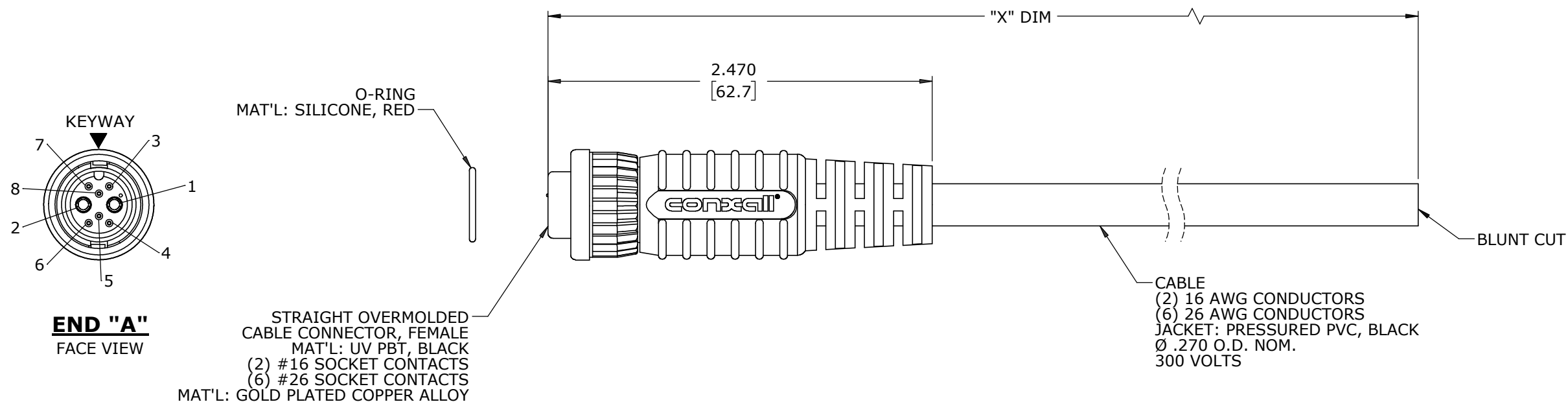
PART NUMBER: CA6A808SXXX90

NOTES:

1. FINISHED PRODUCT TO BE COILED
2. OVERMOLD BOOT MATERIAL: PVC, BLACK
3. ELECTRICAL TEST: 100% CONTINUITY
4. ALL DIMENSIONS ARE REFERENCE EXCEPT THOSE WITH A TOLERANCE

ASS'Y P/N	"X" DIM
CA6A808S03990	3 FT. 3 1/2 IN. ±2 IN. [1M ±50.8mm]
CA6A808S07990	6 FT. 7 IN. ±2 IN. [2M ±50.8mm]
CA6A808S19790	16 FT. 5 IN. ±4 IN. [5M ±101.6mm]
CA6A808S39490	32 FT. 9 3/4 IN. ±8 IN. [10M ±203.2mm]
CA6A808SXXX90	

CABLE LENGTH IN INCHES



WIRE COLOR CODE							
POS. 1	POS. 2	POS. 3	POS. 4	POS. 5	POS. 6	POS. 7	POS. 8
BLK	WHT	BRN	RED	YEL	GRN	GRY	BLU
16 AWG	16 AWG	26 AWG	26 AWG	26 AWG	26 AWG	26 AWG	26 AWG

DIMENSIONS IN BRACKETS [ ] ARE IN MILLIMETERS UNLESS INDICATED

CUSTOMER APPROVAL

THIS DOCUMENT CONTAINS CONFIDENTIAL INFORMATION PROPRIETARY TO CONXALL CORPORATION. ANY REPRODUCTION, DISCLOSURE, OR USE OF THIS DOCUMENT /INFORMATION IS EXPRESSLY PROHIBITED UNLESS AUTHORIZED IN WRITING BY CONXALL CORPORATION.

APPROVED BY: \_\_\_\_\_  
DATE: \_\_\_\_\_

**RoHS COMPLIANT**

A	MA	07-12-21	DRAWING CREATED PER DOR 21-109361DS	
REV.	INIT.	DATE	DESCRIPTION	
	MA	07-12-21	ORIG. DRAWN BY: DATE: MA 07-12-21	
ALL INFORMATION ILLUSTRATED IS THE PROPERTY OF "CONXALL CORPORATION". UNAUTHORIZED DUPLICATION OR DISTRIBUTION OF THIS DOCUMENT IS PROHIBITED.			CHECKED BY:	
ALL UNITS ARE IN FEET, INCHES, FRACTION OF INCHES AND DECIMALS.			APPROVED BY:	
SCALE	SIZE	SHEET	TITLE:	
NTS	B	1 OF 1	CABLE ASSEMBLY	
FILE:	DIRECTORY:	PART NUMBER:	CUSTOMER: STANDARD PRODUCT	
CA6A808SXXX90	SLW	CA6A808SXXX90	REV A	



601 E. WILDWOOD VILLA PARK, IL 60181