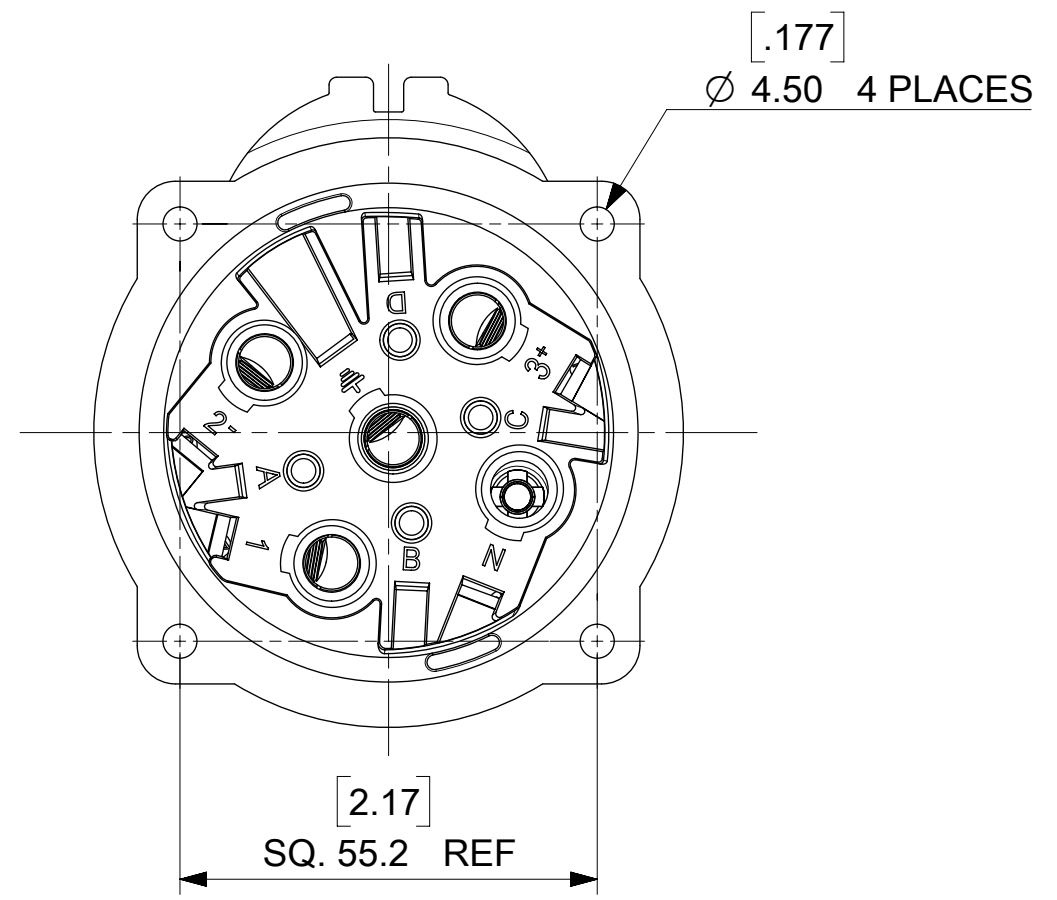
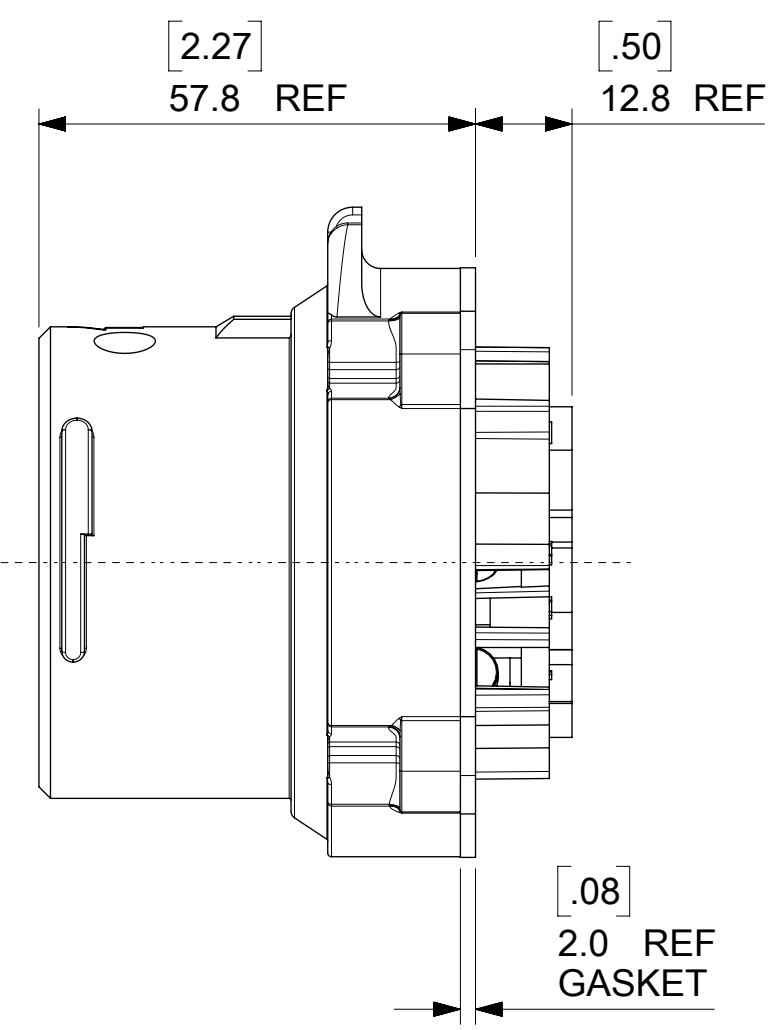
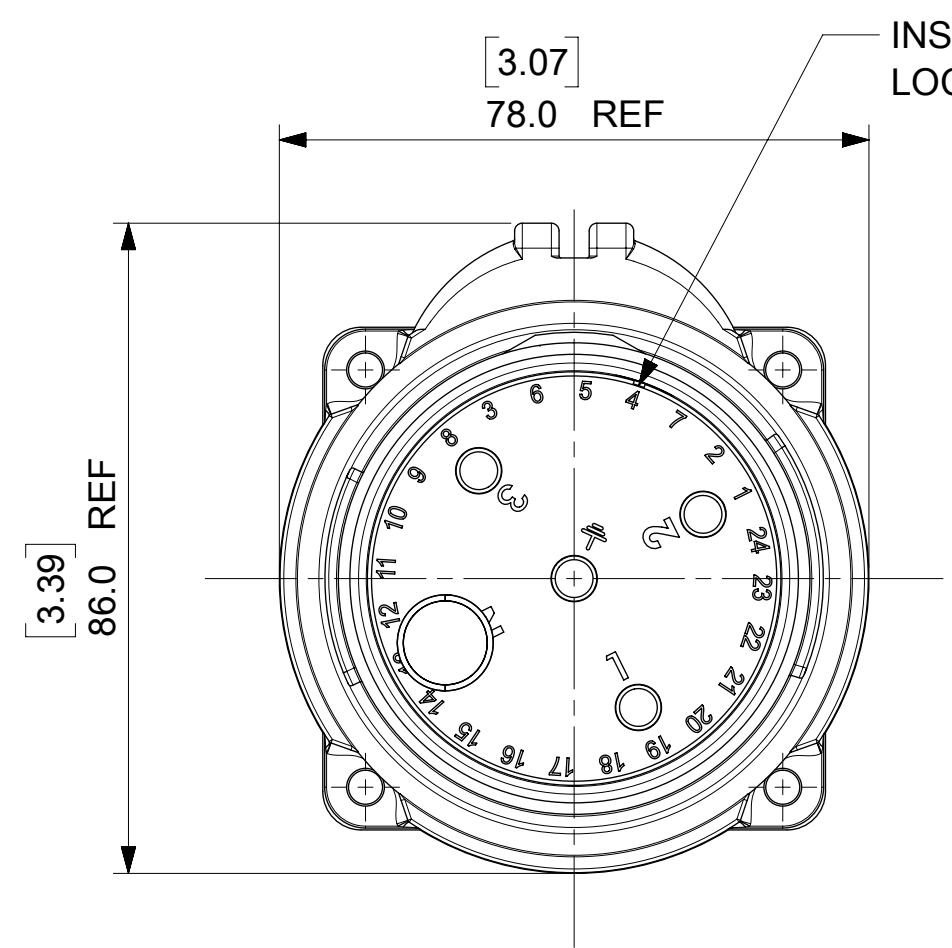
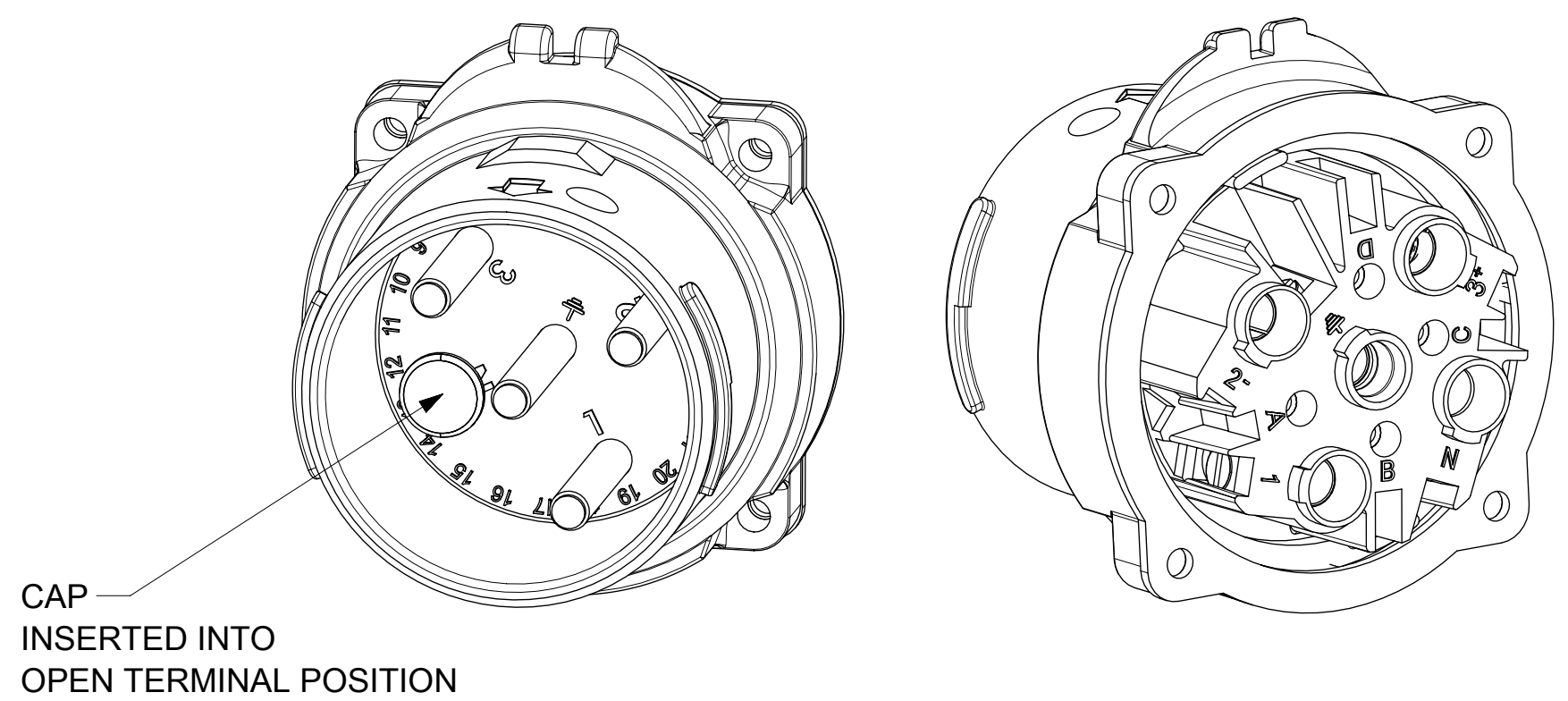
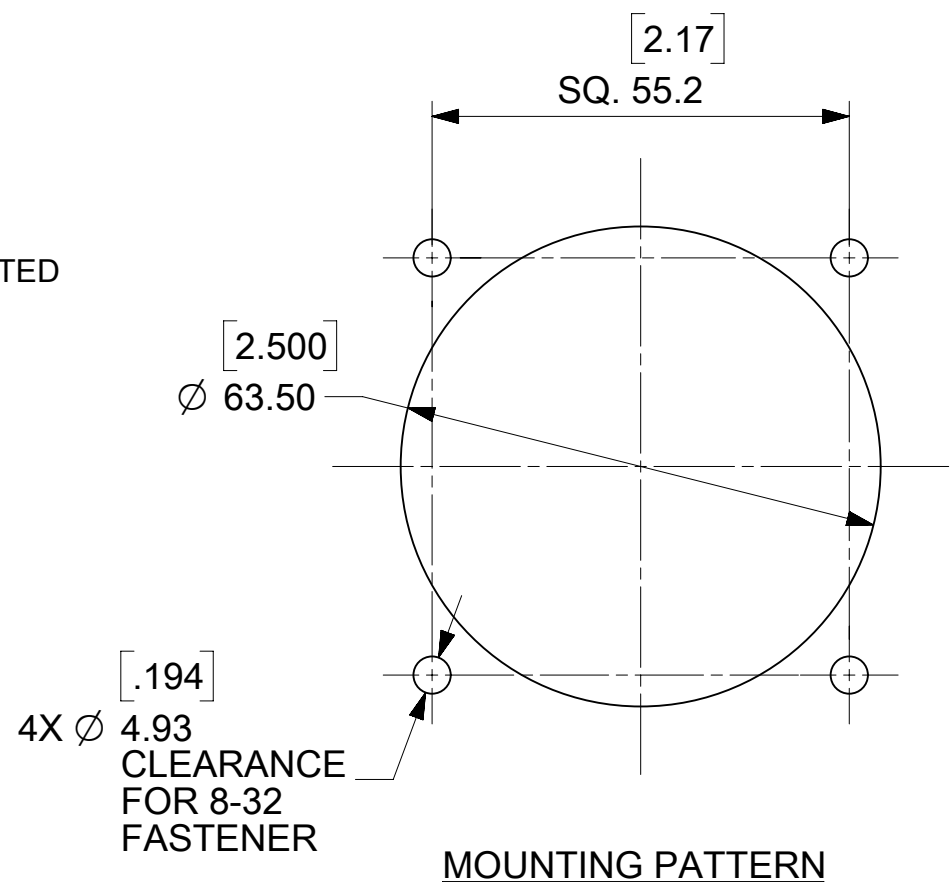


MATERIAL NUMBER	ENGINEERING NUMBER	DESCRIPTION	INSULATOR KEYING POSITION	HORSEPOWER RATING
1122171001	ARC60MA01	ARC 60A M 125VAC 1P+N+G	7	2 HP
1122171002	ARC60MB02	ARC 60A M 250VAC 2P+G		3 HP
1122171003	ARC60MB03	ARC 60A M 250VAC 3P+G		7.5 HP
1122171004	ARC60MAB04	ARC 60A M 125/250VAC 2P+N+G	16	NA
1122171005	ARC60MC02	ARC 60A M 208VAC 2P+G		NA
1122171006	ARC60MC03	ARC 60A M 208VAC 3P+G		7.5 HP
1122171007	ARC60MAC05	ARC 60A M 120/208VAC 3P+N+G	4	NA
1122171008	ARC60MD01	ARC 60A M 277VAC 1P+N+G		NA
1122171009	ARC60ME02	ARC 60A M 480VAC 2P+G		NA
1122171010	ARC60ME03	ARC 60A M 480VAC 3P+G	14	20 HP
1122171011	ARC60MDE05	ARC 60A M 277/480VAC 3P+N+G		NA
1122171012	ARC60MF02	ARC 60A M 600VAC 2P+G		NA
1122171013	ARC60MF03	ARC 60A M 600VAC 3P+G	14	20 HP
1122171014	ARC60MGF05	ARC 60A M 347/600VAC 3P+N+G		NA



NOTES:

- MATERIALS:**  
HOUSINGS AND INSULATORS: GLASS FILLED PBT  
CONTACTS: COPPER ALLOY WITH A SILVER NICKEL TIP, SILVER PLATED  
MOUNTING GASKET: SILICONE
- RATINGS:**  
CURRENT: 60 AMPS  
VOLTAGE AND HORSEPOWER: SEE TABLE  
AMBIENT OPERATING TEMPERATURE: -25°C (-13°F) TO 60°C (140°F)  
(WITH MAX. 30°C RISE ABOVE AMBIENT)  
ENVIRONMENTAL: NEMA TYPE 4X & IP69K  
WIRING CAPACITY: 10 AWG MIN. TO 4 AWG MAX.  
TORQUE TERMINAL SCREWS TO 1.7 Nm (15 in-lbs)  
AGENCY: UL LISTING PENDING  
SCREW RATED INLET/PLUG  
BRANCH CIRCUIT DISCONNECT SWITCH  
MOTOR CIRCUIT DISCONNECT SWITCH IF HP RATED



LASER MARKING FOR REF ONLY  
REFER TO TABLE FOR PART NUMBER INFORMATION

ELECTRICAL & ENVIRONMENTAL RATINGS: **Woodhead® ARC60ME03** ENGINEERING NO. **ARC60ME03 SHOWN**  
60A, 480VAC, 3Φ  
20 HP, TYPE 4X, IP69K

WORK ORDER NO. SWITCH RATED INLET/PLUG: WOXXXXXXXXXX DATE OF MANUFACTURER: DOM: MM/DD/YY

THIS DRAWING CONTAINS INFORMATION THAT IS PROPRIETARY TO MOLEX ELECTRONIC TECHNOLOGIES, LLC AND SHOULD NOT BE USED WITHOUT WRITTEN PERMISSION									
DIMENSION UNITS: MM/INCH		SCALE: 1:1		CURRENT REV DESC: GENERAL MARKET RELEASE					
GENERAL TOLERANCES (UNLESS SPECIFIED)				<b>molex</b> 60A ARC ARREST INLET / PLUG PRODUCT CUSTOMER DRAWING DOCUMENT NUMBER: 1122171010 DOC TYPE: PSD DOC PART: 000 REVISION: B2 MATERIAL NUMBER: SEE TABLE CUSTOMER: GENERAL MARKET SHEET NUMBER: 1 OF 1					
4 PLACES	±		±						
3 PLACES	±	0.01	±						
2 PLACES	±	0.02	± 0.25						
1 PLACE	±	0.04	± 0.5						
0 PLACES	±		± 1.0	EC NO: 674097		2021/08/17		2021/08/17	
ANGULAR TOL ± 3.0°		THIRD ANGLE PROJECTION		DRAWING: C-SIZE		SERIES: 112217		INITIAL REVISION: DRWN: VBSUTHKARP 2018/02/21	
DRAFT WHERE APPLICABLE MUST REMAIN WITHIN DIMENSIONS				APPR: JFMURPHY 2020/11/17					